

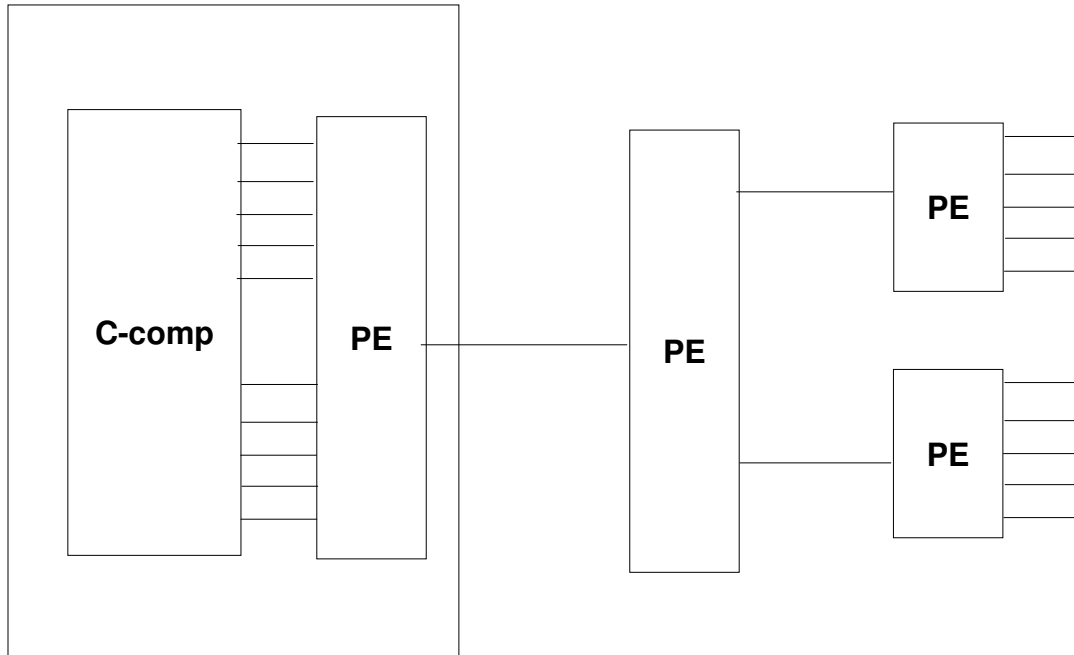


# E-channel termination

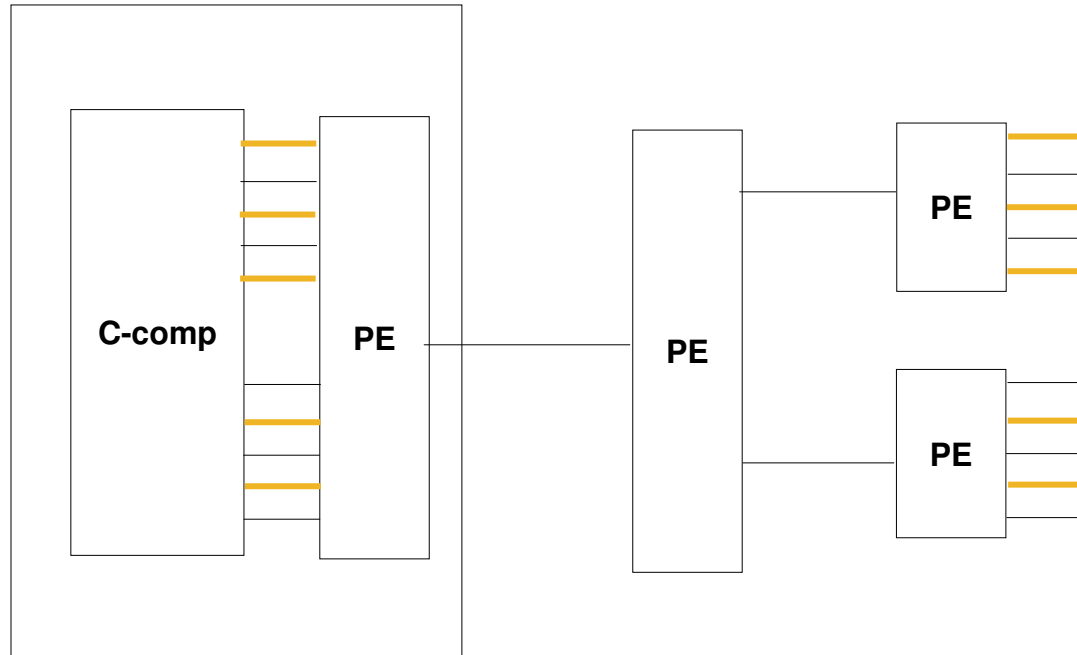
Joe Pelissier

br-pelissier-EchannelTermination-0711

# Our Network

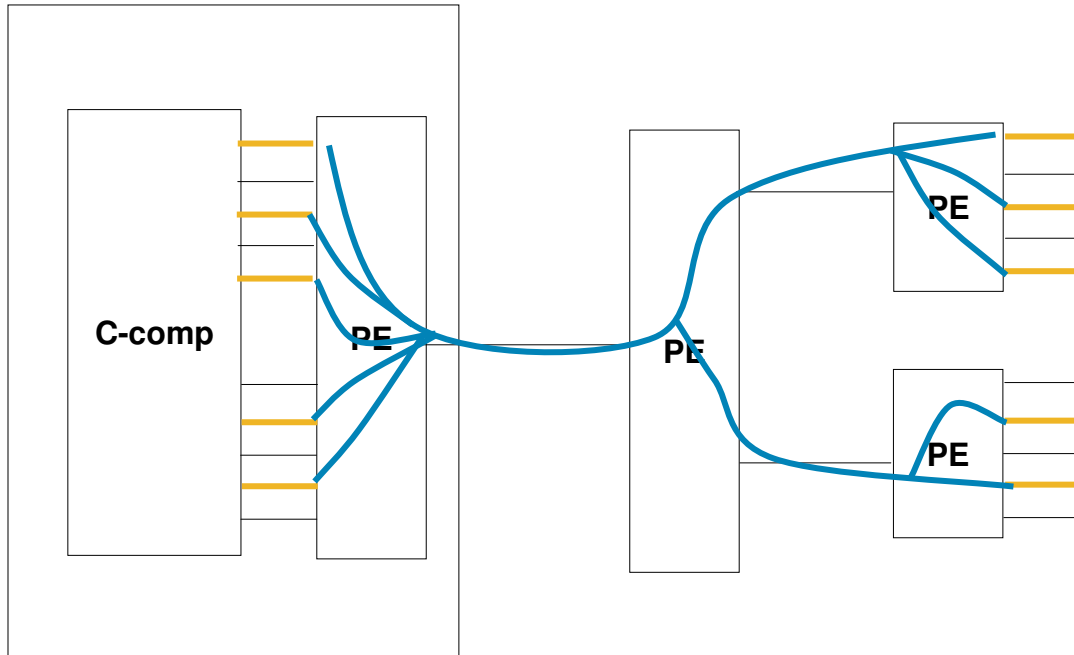


# The Multicast Group



# The E-channel

Its now multipoint on each end. If a frame is reversed (CN, e.g.), the port on the C-comp to which the internal PE is to forward is ambiguous.

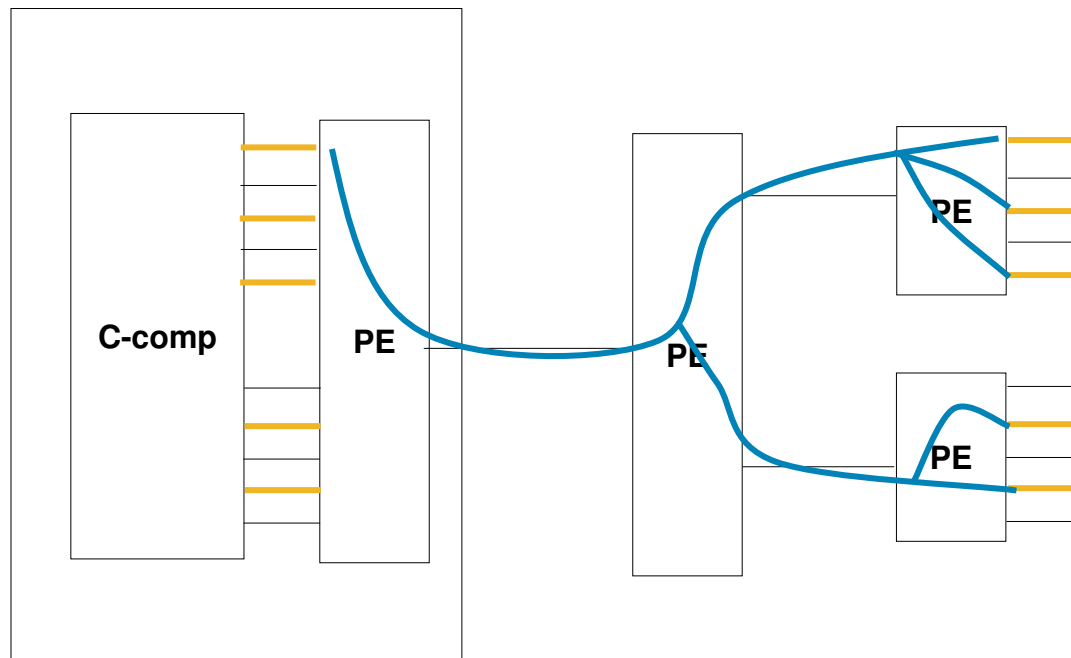


# The Better E-channel

**A potential fix: Make one port on the C-comp and PE be part of the E-channel.**

**In the connection\_identifier, include both the port map (as we do now) and the ingress\_ECID**

**Ambiguity is removed since we are now back to point to multipoint.**



---

Thank You!