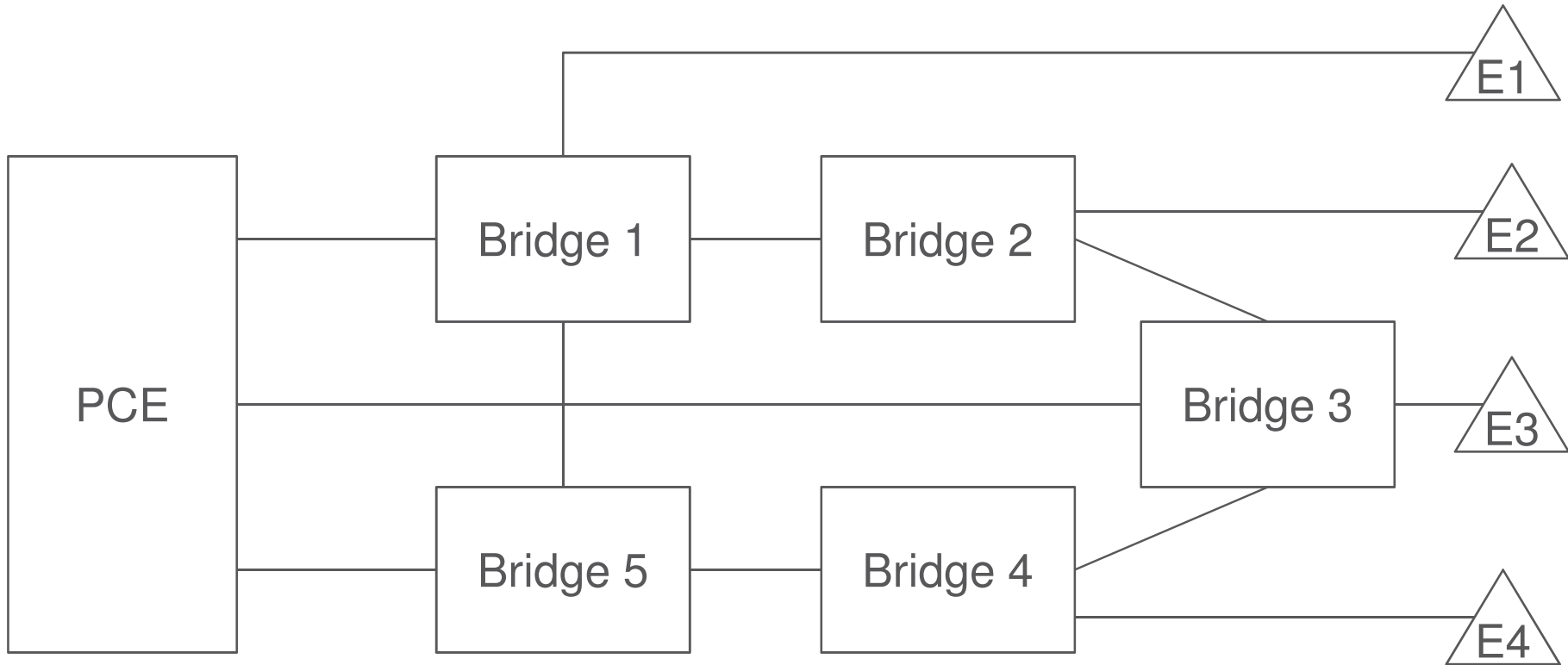


802.1Qca for Small Networks

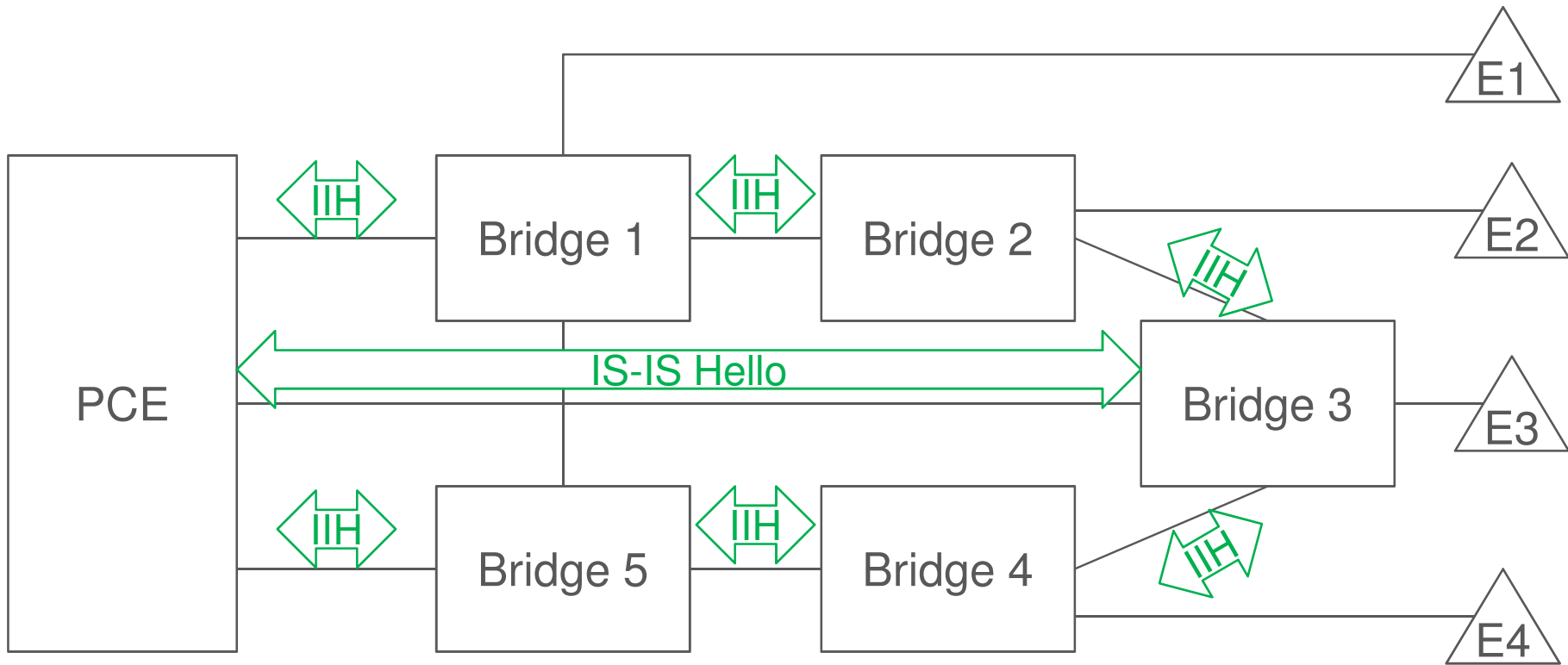
János Farkas
Philippe Klein

May 14, 2014

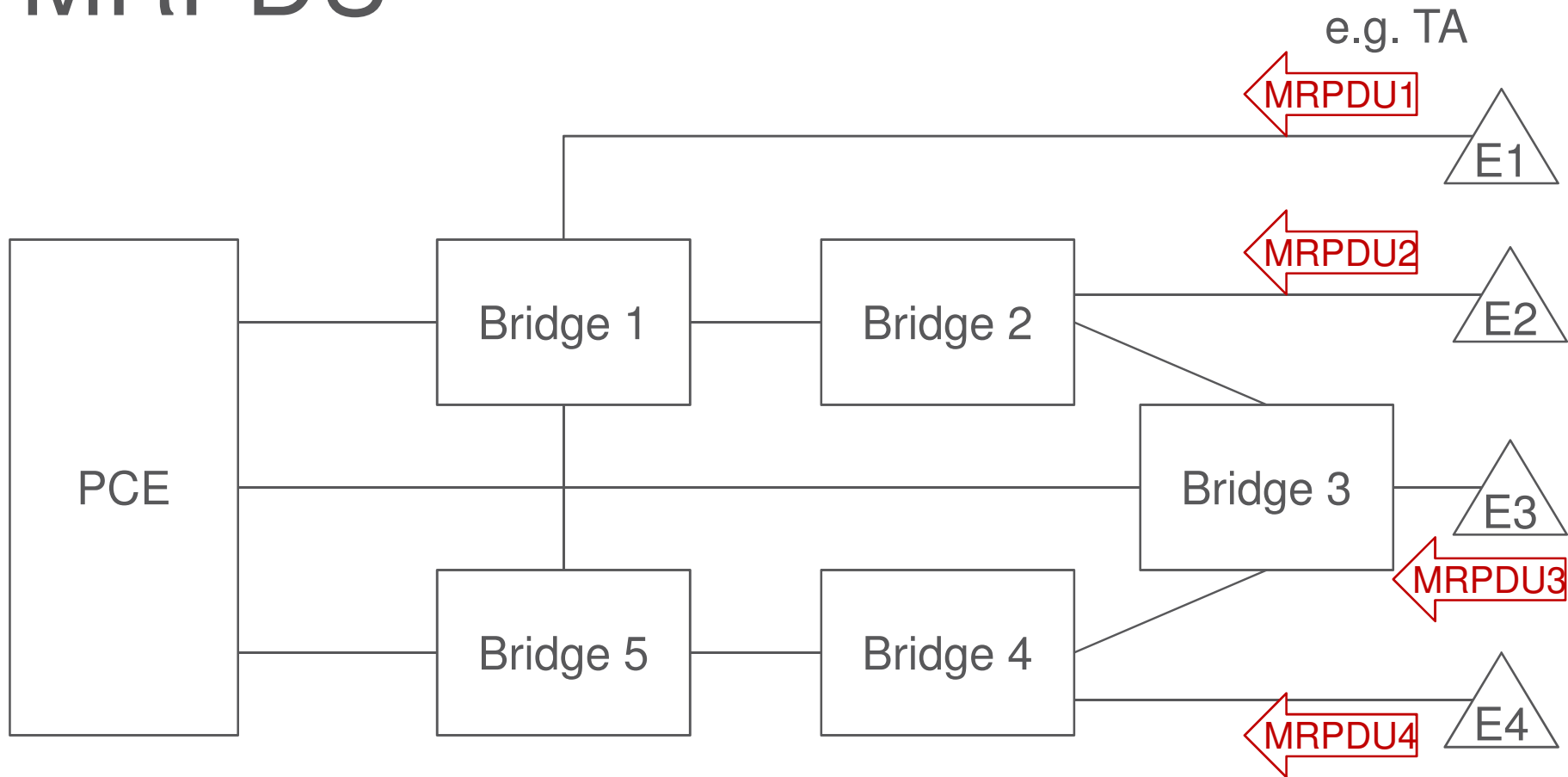
Example Network



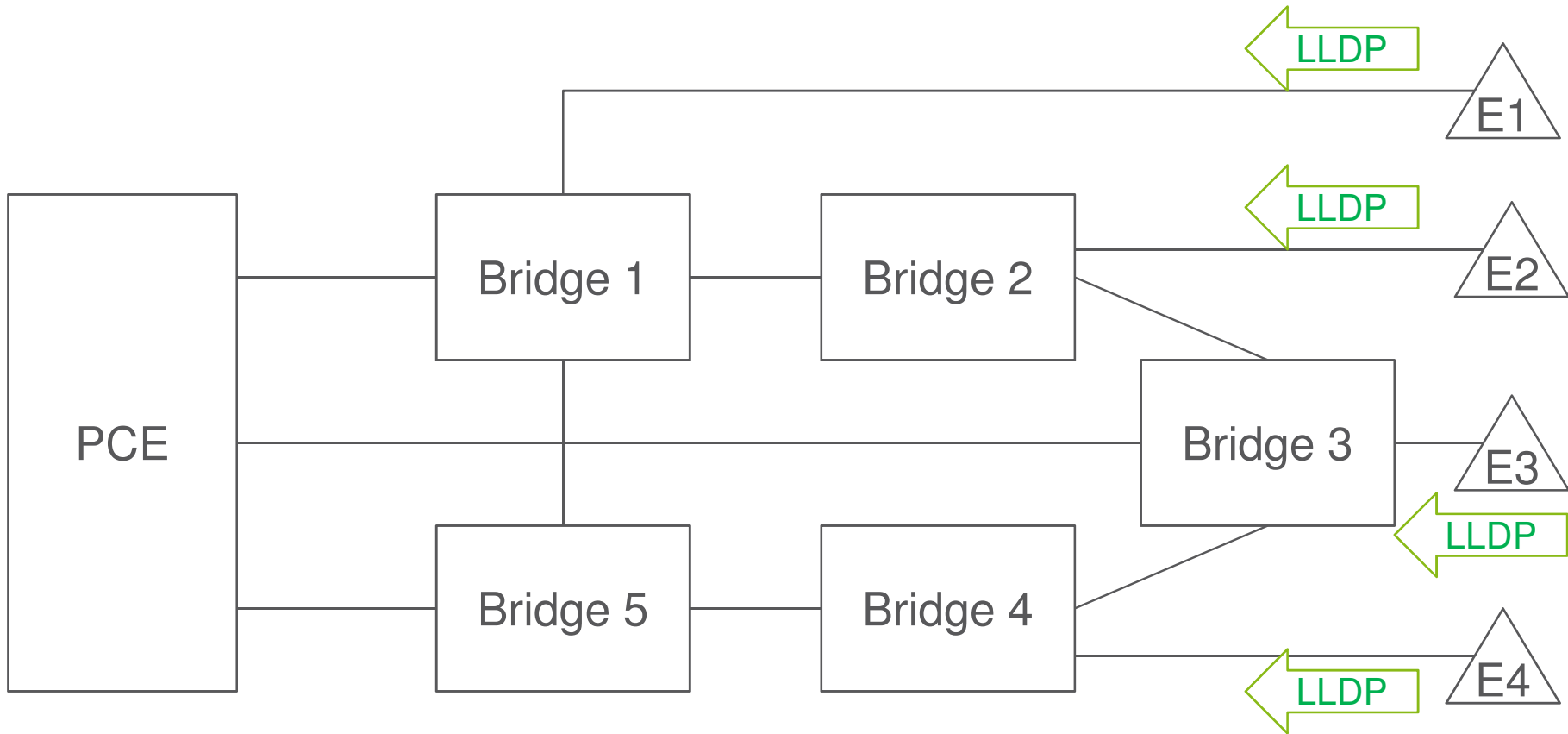
IS-IS Hellos (IIH) Exchanged between Neighbors



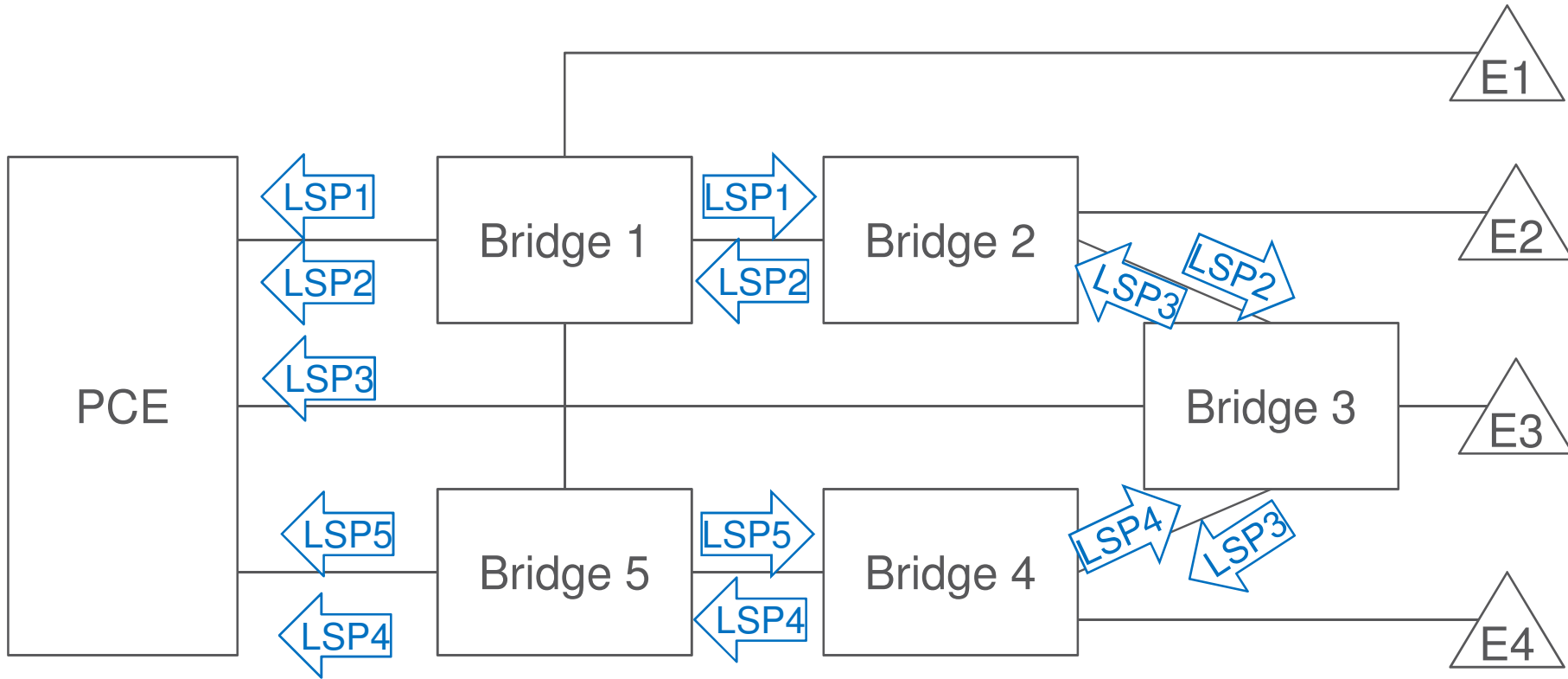
Station MAC Learnt from MRPDU



Or Station MAC Learnt from LLDP

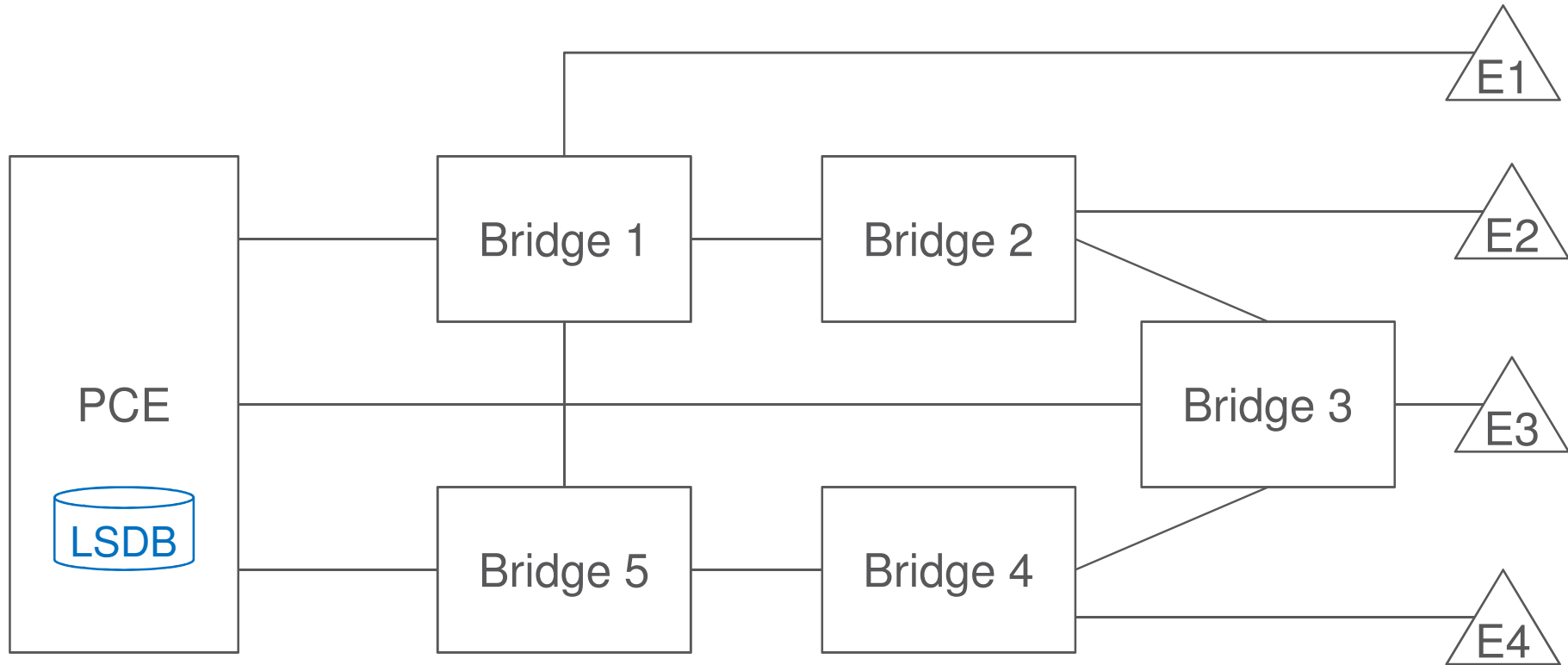


LSPs Flooded

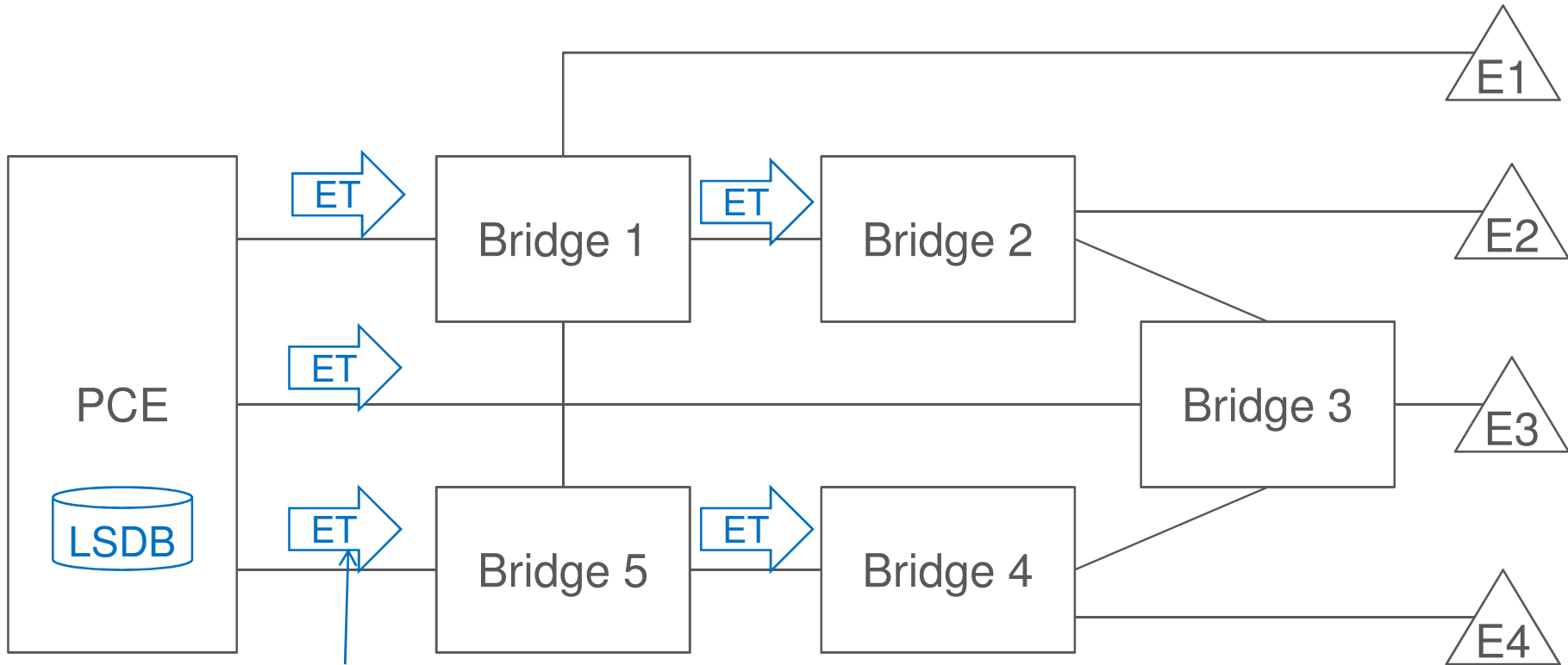


- › End Station MAC is conveyed by LSP
- › Not all LSPs are shown in the figure

LSDB Built



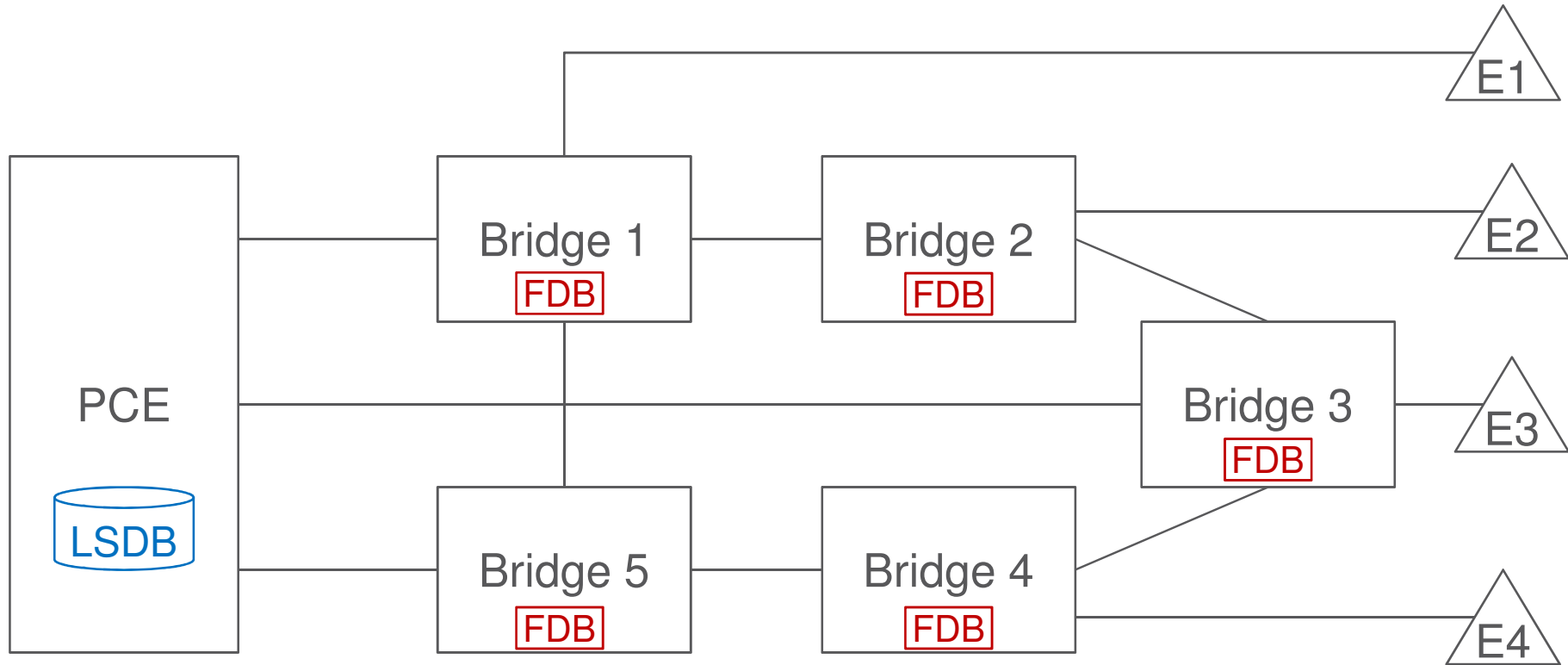
Explicit Tree Flooded



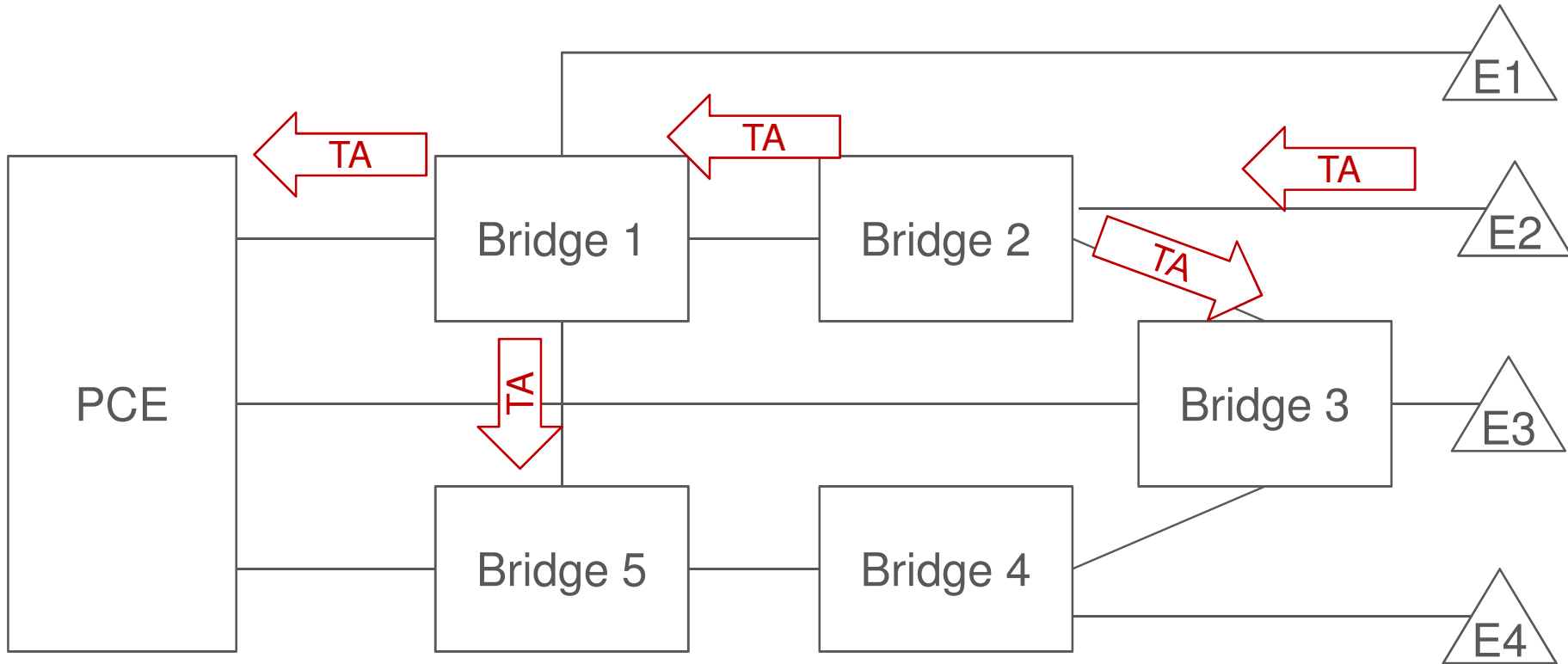
LSP conveying Topology sub-TLV specified by 802.1Qca

- › **Static Explicit ECT Algorithm is used** (see Table 45-1)

FDB Entries Installed

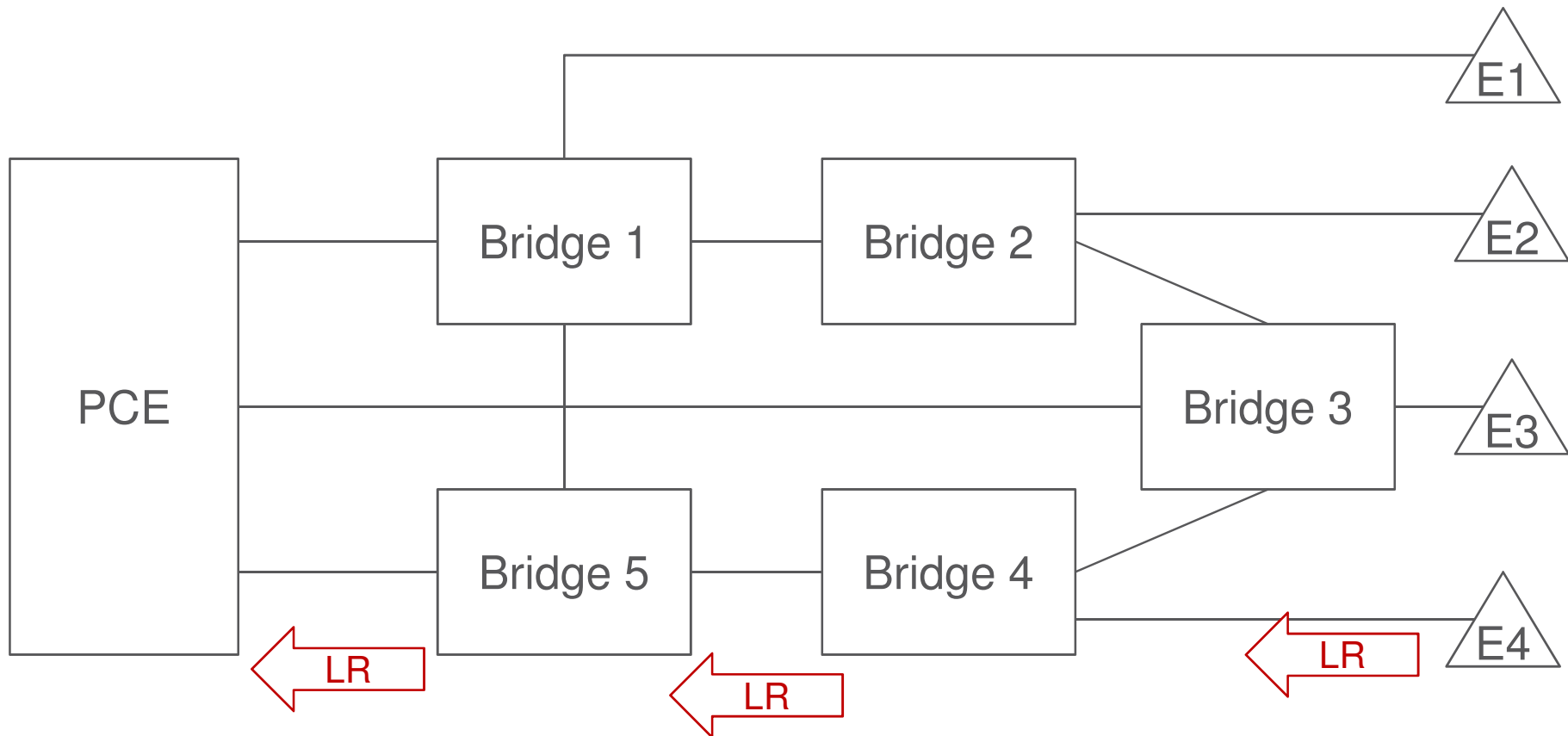


MSRP Stream – 1 Talker Advertise



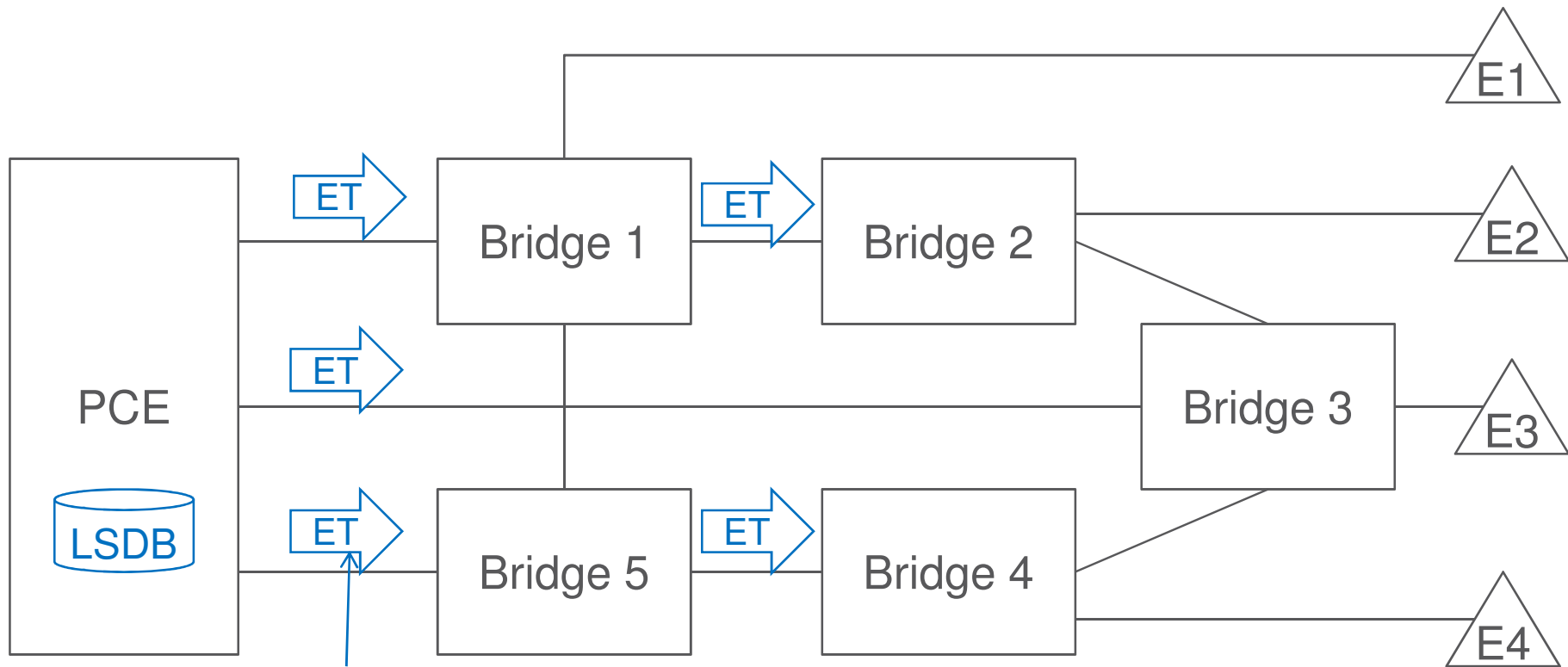
MSRP Stream – 2

Listener Ready (1)



MSRP Stream – 3

ET for Stream



LSP conveying Topology sub-TLV specified by 802.1Qca

MSRP Stream – 4 Listener Ready (2)

