

802.3, 802.11 & 802.11 GLK Bridged LAN Example

Authors:

Date: 2014-05-11

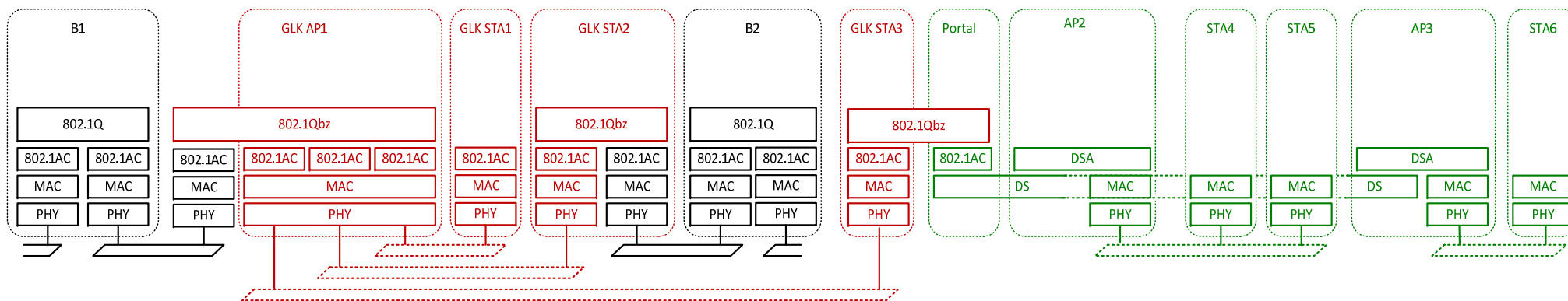
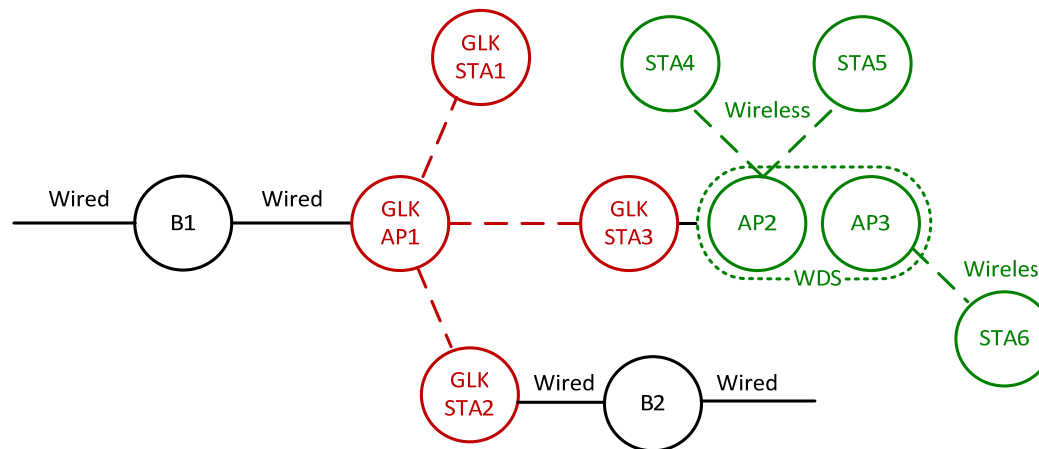
Name	Affiliations	Address	Phone	email
Philippe Klein	Broadcom	Golan Building Airport City, Israel	+972 54 3134500	philippe@broadcom.com
Mark Hamilton	Spectralink, Corp	2560 55 th St. Boulder, CO 80301	+1-303-441-7553	Mark.hamilton@spectralink.com

Abstract

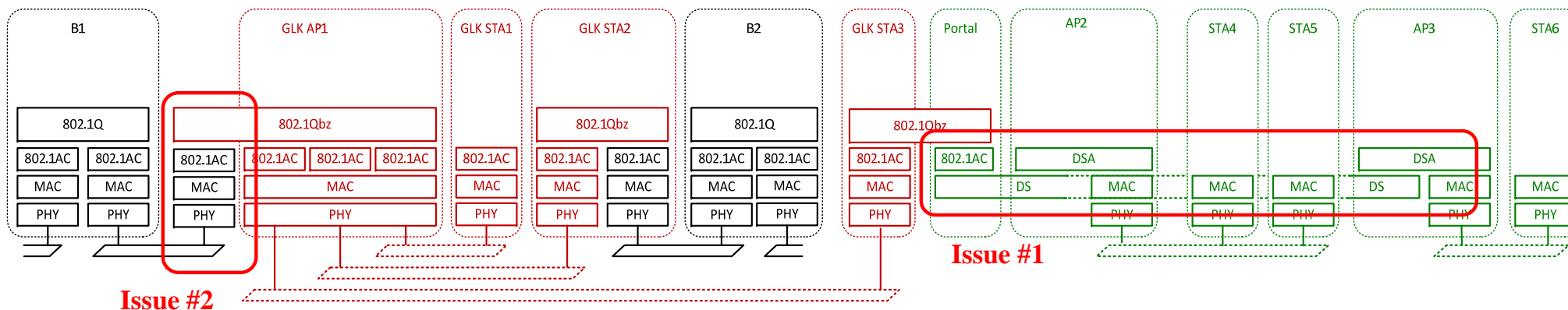
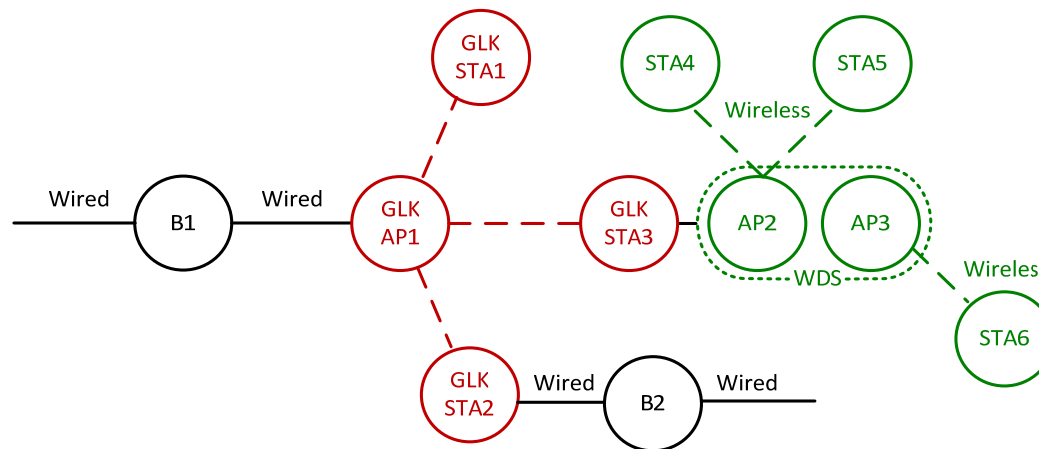
Latest version of an attempt to draw a picture describing the architecture model of an example of a combined 802.11GLK, 802.11 and 803.2 bridged LANs.

This presentation is a trigger for useful discussion...

802.3, 802.11 & 802.11 GLK Bridged LAN Example



802.3, 802.11 & 802.11 GLK Bridged LAN Example



Architecture Model Issues

#1 DS representation:

- *the portal does not offer a SAP but uses a SAP to the DS or to a port...*
- how to draw the DS to have three users, the Portal (its 802.1AC convergence function), and the two APs (their DSAs):
- needs to graphically extend across a “whole bunch of stuff “ that it is really going “behind”
- tried to do that with the dotted line...

#2 802.11 STA - 802.11GLK AP bridge:

- would GLK AP include the wired MAC/PHY stack ?
- what architectural entity that is then? a co-located wired end station ?