

MS Network Entry for transparent Relay Station

IEEE 802.16 Presentation Submission Template (Rev. 8.3)

Document Number:

IEEE S802.16j-06/124

Date Submitted:

2006-11-07

Source:

Masato Okuda

Fujitsu Laboratories LTD.

Kawasaki, Japan

Voice: +81-44-754-2811

okuda@jp.fujitsu.com

Venue:

IEEE 802.16 Session #46, Dallas, USA

Base Document:

IEEE C802.16j-06/124r1 and URL <http://ieee802.org/16/.../C80216j-06_130.pdf>.

Purpose:

For discussion and approval of inclusion of the proposed text into the P802.16j baseline document.

Notice:

This document has been prepared to assist IEEE 802.16. It is offered as a basis for discussion and is not binding on the contributing individual(s) or organization(s). The material in this document is subject to change in form and content after further study. The contributor(s) reserve(s) the right to add, amend or withdraw material contained herein.

Release:

The contributor grants a free, irrevocable license to the IEEE to incorporate material contained in this contribution, and any modifications thereof, in the creation of an IEEE Standards publication; to copyright in the IEEE's name any IEEE Standards publication even though it may include portions of this contribution; and at the IEEE's sole discretion to permit others to reproduce in whole or in part the resulting IEEE Standards publication. The contributor also acknowledges and accepts that this contribution may be made public by IEEE 802.16.

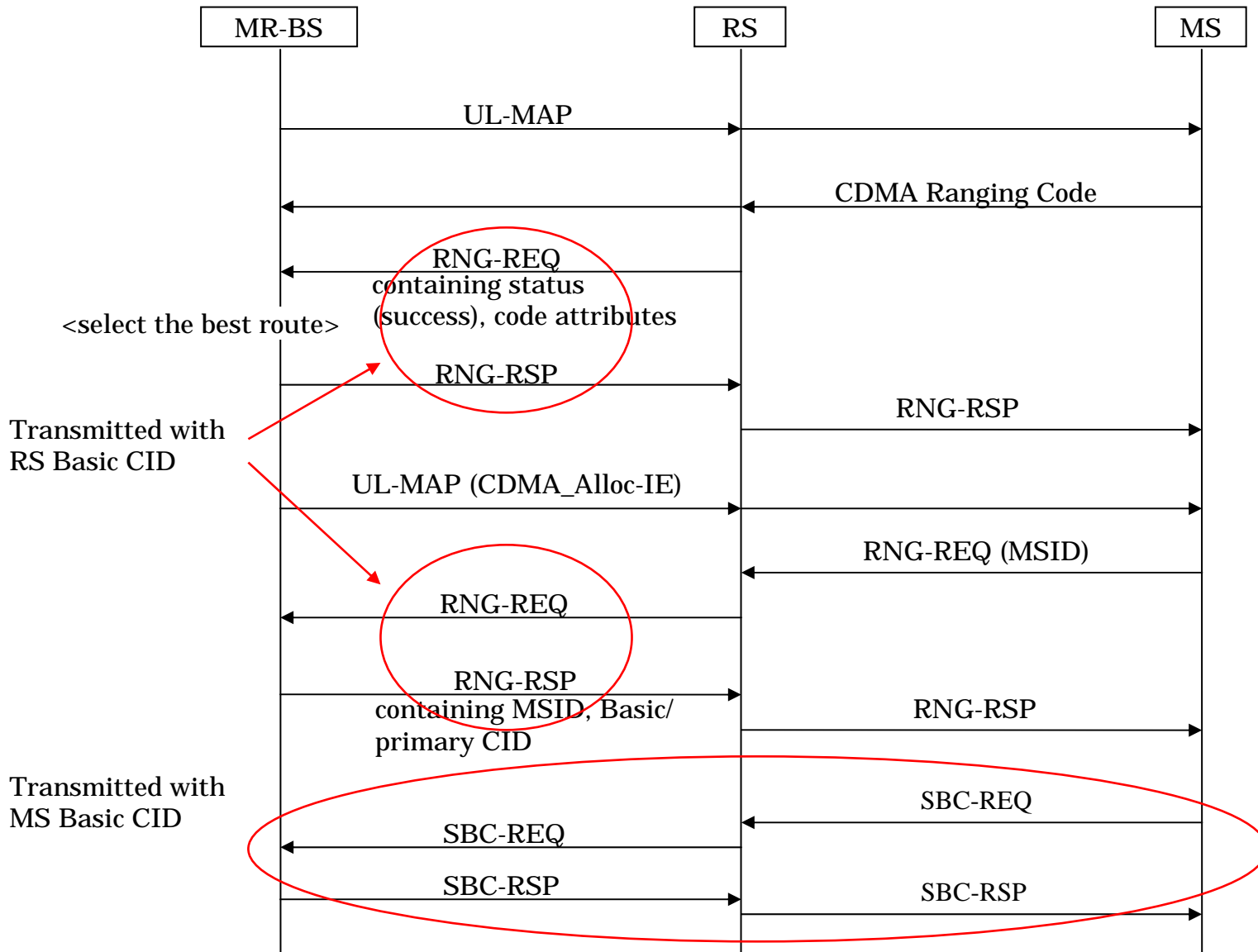
IEEE 802.16 Patent Policy:

The contributor is familiar with the IEEE 802.16 Patent Policy and Procedures <<http://ieee802.org/16/ipr/patents/policy.html>>, including the statement "IEEE standards may include the known use of patent(s), including patent applications, provided the IEEE receives assurance from the patent holder or applicant with respect to patents essential for compliance with both mandatory and optional portions of the standard." Early disclosure to the Working Group of patent information that might be relevant to the standard is essential to reduce the possibility for delays in the development process and increase the likelihood that the draft publication will be approved for publication. Please notify the Chair <<mailto:chair@wirelessman.org>> as early as possible, in written or electronic form, if patented technology (or technology under patent application) might be incorporated into a draft standard being developed within the IEEE 802.16 Working Group. The Chair will disclose this notification via the IEEE 802.16 web site <<http://ieee802.org/16/ipr/patents/notices>>.

Introduction

- In transparent RS systems, the MR-BS need to know information of ranging code received by RS in order to create CDMA_Alloc-IE and select the appropriate route (direct or relay).
- This contribution proposes ranging code information forwarding method in MS network entry procedure.
- Related sections in the standard :
 - 6.3.9.16 Support for network entry and initialization in relay mode

Network Entry Example



Advantages

- To enable the MR-BS to select the appropriate route by providing code information to the MR-BS.
- To minimize new definition or changes by using the existing message with new TLVs.