

Project	IEEE 802.16 Broadband Wireless Access Working Group < http://ieee802.org/16 >	
Title	Proposed Modifications to the IEEE 802.16m SDD, Section 5	
Date Submitted	2008-03-10	
Source(s)	Yair Bourlas Lei Wang Ramon Khalona	Voice: E-mail: ybourlas@nextwave.com
	* http://standards.ieee.org/faqs/affiliationFAQ.html >	
Re:	Revised text for sections 5	
Abstract	Add Bearer SAP (B_SAP) to the 802.16m protocol structure.	
Purpose	Accept the proposed specification changes into IEEE 802.16m SDD	
Notice	<i>This document does not represent the agreed views of the IEEE 802.16 Working Group or any of its subgroups. It represents only the views of the participants listed in the "Source(s)" field above. It is offered as a basis for discussion. It is not binding on the contributor(s), who reserve(s) the right to add, amend or withdraw material contained herein.</i>	
Release	The contributor grants a free, irrevocable license to the IEEE to incorporate material contained in this contribution, and any modifications thereof, in the creation of an IEEE Standards publication; to copyright in the IEEE's name any IEEE Standards publication even though it may include portions of this contribution; and at the IEEE's sole discretion to permit others to reproduce in whole or in part the resulting IEEE Standards publication. The contributor also acknowledges and accepts that this contribution may be made public by IEEE 802.16.	
Patent Policy	The contributor is familiar with the IEEE-SA Patent Policy and Procedures: < http://standards.ieee.org/guides/bylaws/sect6-7.html#6 > and < http://standards.ieee.org/guides/opman/sect6.html#6.3 >. Further information is located at < http://standards.ieee.org/board/pat/pat-material.html > and < http://standards.ieee.org/board/pat >.	

Proposed Modifications to the IEEE 802.16m SDD, Section 5

Yair Bourlas, Lei Wang, Ramon Khalona

NextWave

Introduction

This contribution proposes several editorial and technical modifications to the 802.16m SDD (IEEE C802.16m-08/003)

The technical modifications are mainly in the section 4 and section 8. We also proposed several editorial modifications throughout the SDD. Added text is marked with Blue underlined text. Deleted text is marked with ~~red-strikethrough~~ text.

The technical modifications are as follow:

- Section 5
 - Modify Figure 3 to add Bearer SAP (B_SAP). The implication is that the 80.16m entity has the following SAPs interfacing to the upper layer entities: management SAP (M_SAP), Control SAP (C_SAP) and Bearer SAP (B_SAP). Note that we are using the term bearer instead of data SAP as it is less confusing.

1

2 **Proposed Text**

3

4

5 IEEE 802.16m System Reference Model

<Editor’s Note: This section describes system reference model in for those functions introduced in the 802.16m air interface>

A simplified reference model for 802.16 network is shown in Figure 1. An 802.16m entity is the logical entity in a SS, RS or BS that comprises the PHY and MAC layers of the [data bearer](#)/control plane. The Network Control and Management functions provide various control and management functions (including AAA, security, mobility, radio resource management, service flow management, paging and idle mode, MBS, location based services, MIH function, SS management, network management, regulatory services, multi-RAT interworking, etc.) and resides in both MS and BS. A set of SAPs provide interfaces between them and 802.16m entities.

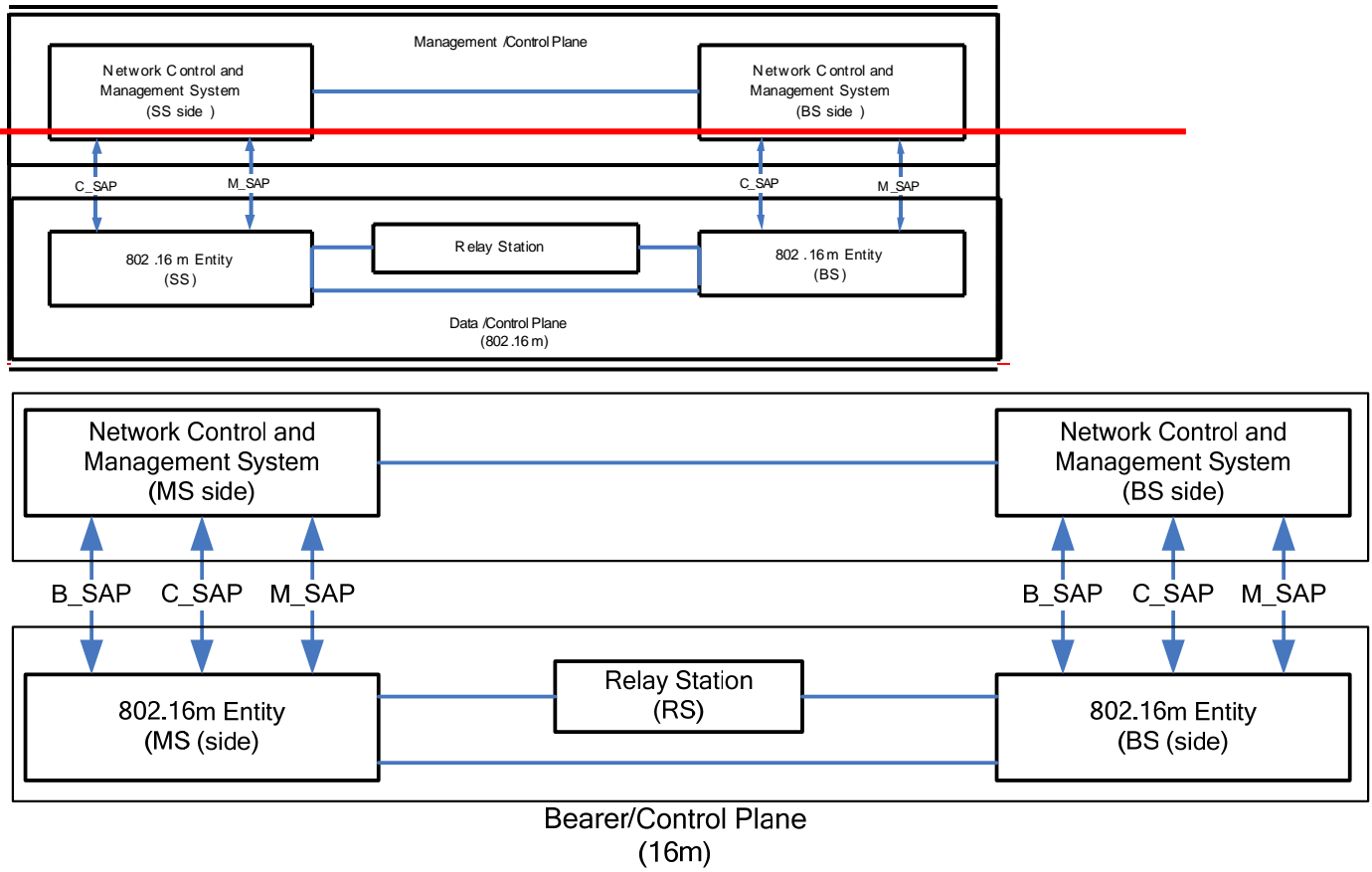


Figure 1 System Reference Model

The implementation of the Relay functionality is FFS.