

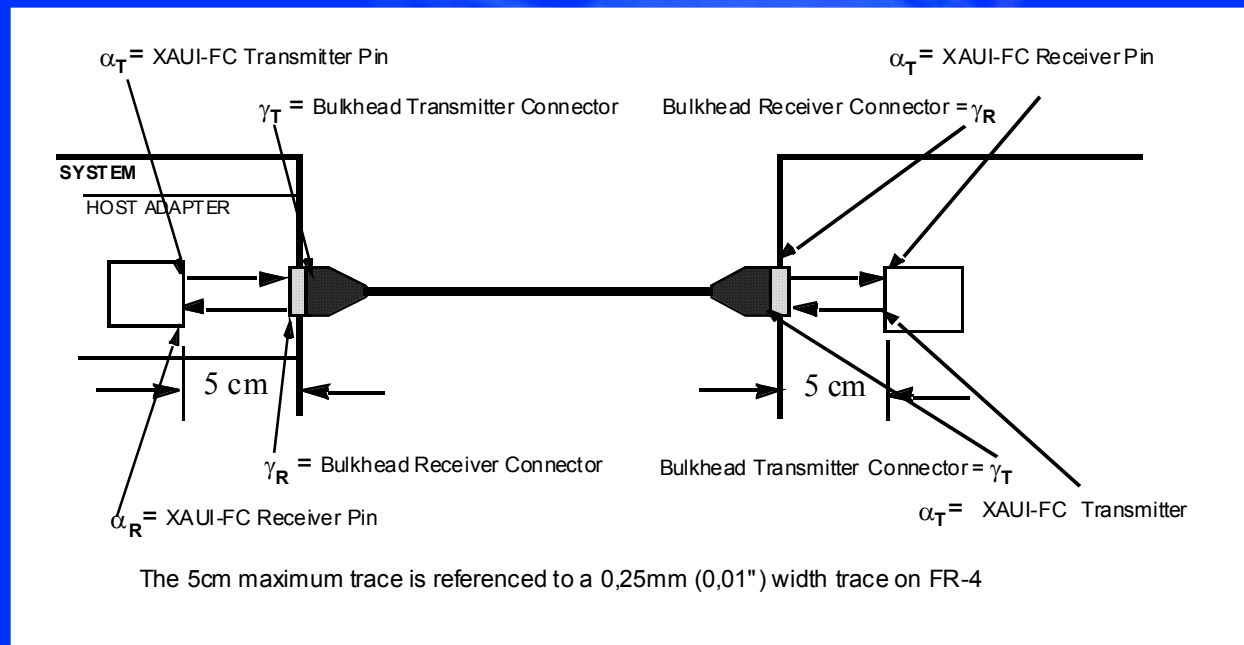
T11.2 Liaison Report

**Schelto van Doorn
Intel Corporation
2002/12/16**

T11.2 Status

- T11.2 is in the process of defining a 4 lane 10 G copper link in FC-PI based on XAUI for 10m

Reference and interoperability points



Backplane interoperability points

