

Category 7 Definition

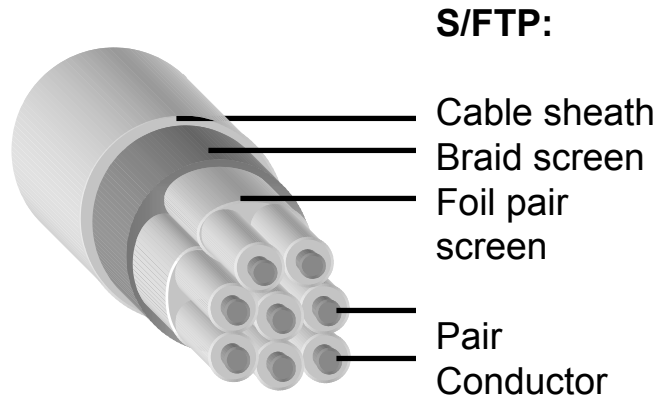
From IS11801 2nd Edition, 2002

- /// IS11801 2nd Edition, 2002
 - /// ISO/IEC/JTC1/SC25/WG3
- /// Defines balanced cabling Classes implemented using component Categories
 - /// Class D cabling uses Category “5e” components
 - /// Class E cabling uses Category 6 components
 - /// Class F cabling uses Category 7 components

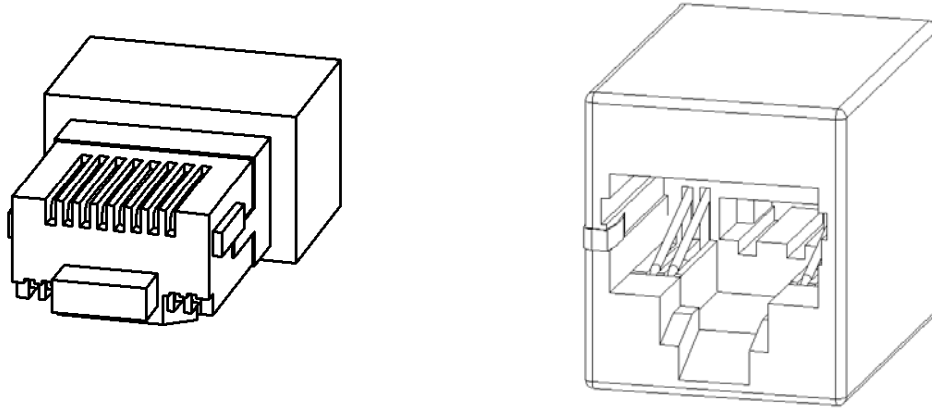
Note: IS11801 states “Category 5”, which is equivalent to TIA-568B “Category 5e”

-
- /// Defined in IS11801 2nd Edition, 2002
 - /// Performance characterized to 600MHz
 - /// Crosstalk isolation >20dB more than Class D (cat5e)

Class, Category	Cable Standard	Connector Standard
Class D, Category 5e	IEC 61156-5, Cat5e (UTP and screened)	IEC 60603-7-2 (UTP) IEC 60603-7-3 (screened)
Class E, Category 6	IEC 61156-5, Cat6 (UTP and screened)	IEC 60603-7-4 (UTP) IEC 60603-7-5 (screened)
Class F, Category 7	IEC 61156-5, Cat7 (screened)	IEC 60603-7-7 (screened)



- /// IEC 61156-5 Cat7
- /// Typically STP construction
- /// Crosstalk isolation >30dB more than Cat5e



- /// IEC 60603-7-7, Cat7
- /// RJ45 interoperable and backward compatible
- /// Crosstalk isolation >20dB more than Cat5e