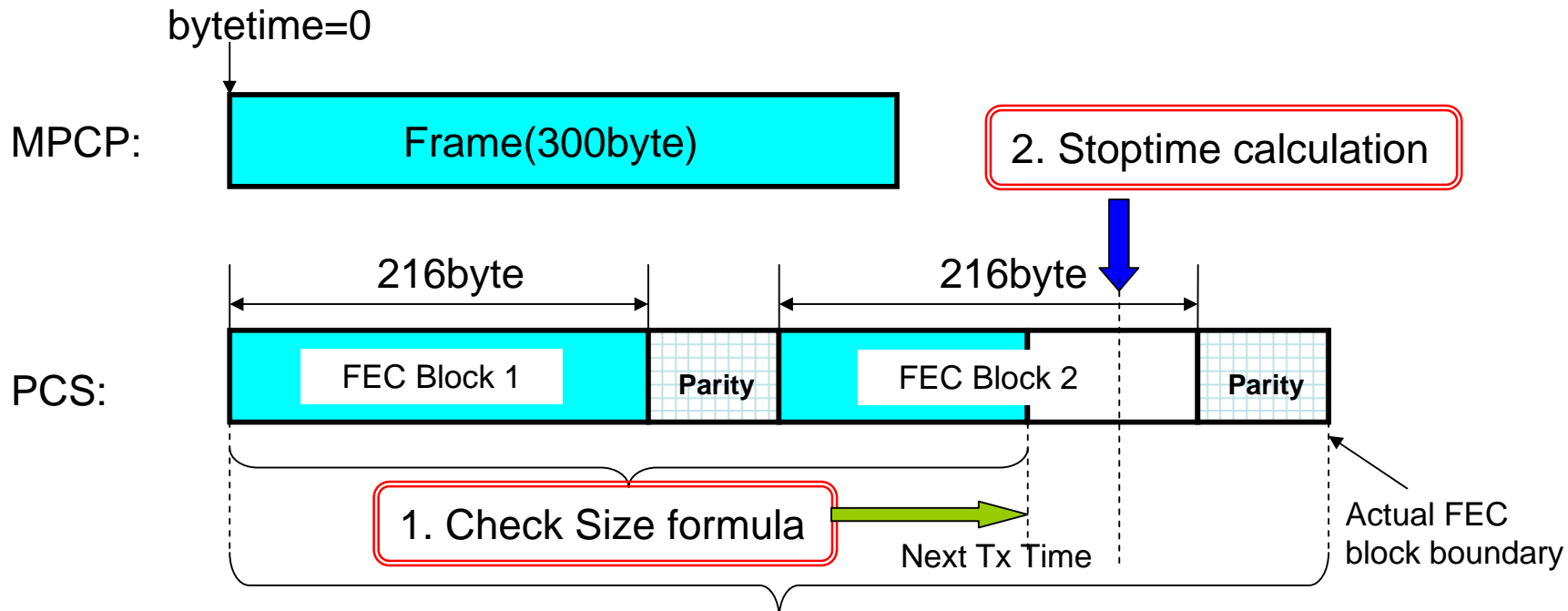


Supplement to comment 2762

The issue : In case of transmitting a frame of 300 bytes length (for example), a bad situation may happen as follows.

1. Formula in Check Size state of Figure 77-14 returns 1 parity block. And it determines this frame could transmit completely.
2. The stoptime is calculated in Figure 77-30. It's not clear that the stoptime comes after the actual FEC block boundary.



This frame needs two FEC blocks for transmission actually.