

Economic Feasibility 10 GbE

Jens Fiedler

Infineon

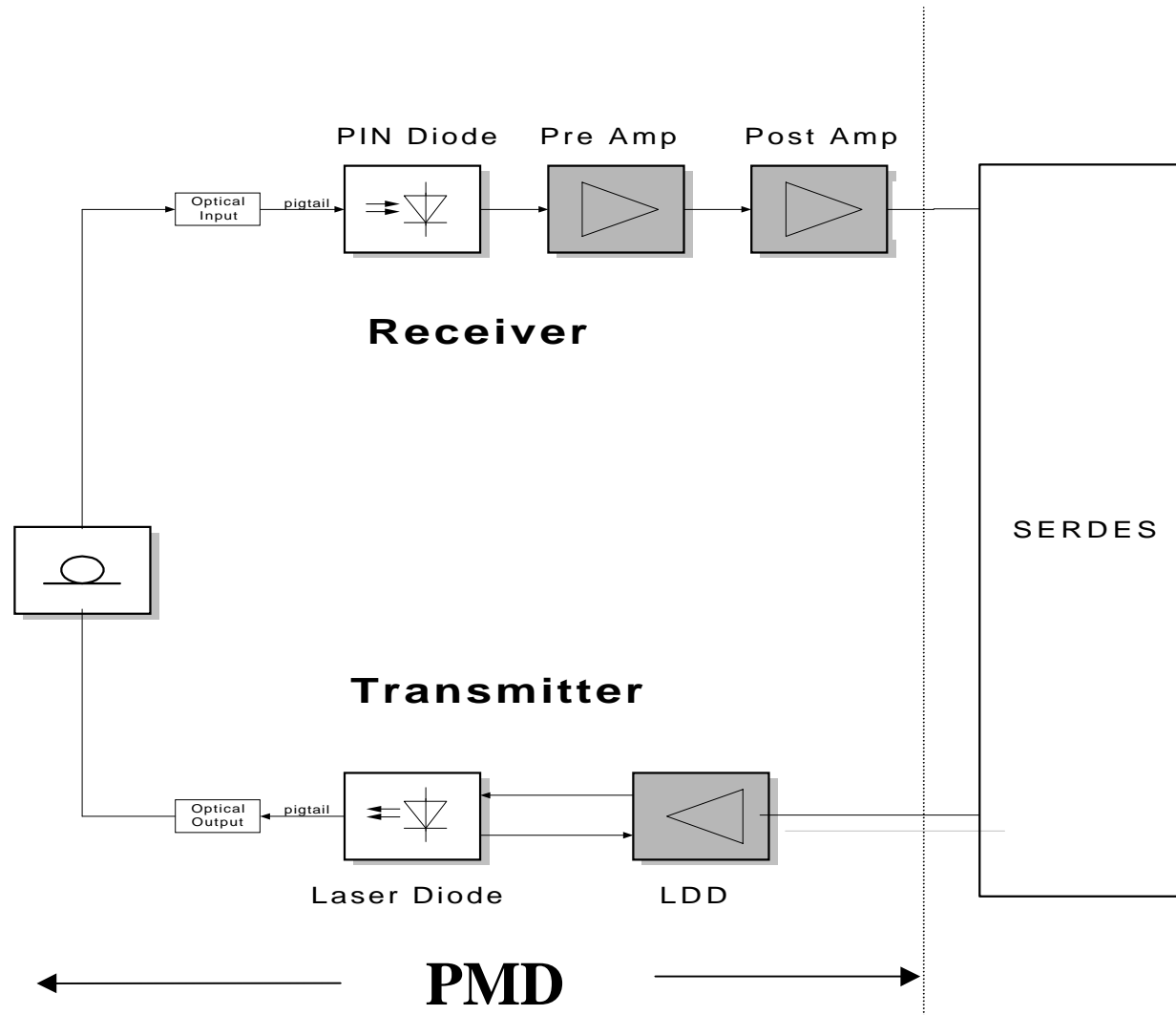
Ed Cornejo

Lucent

Paul Bottorff

Nortel Networks

E/O - O/E As Used In 1 Gig



Technology Comparison

10 GbE vs. SONET

- FP Laser
 - Direct Modulated
 - Expanded Beam
 - Low Cost Package
 - Uncooled
 - Relaxed Jitter
- FP Laser
 - External Modulated
 - Narrow Beam
 - High Reliability
Hermetically Sealed
Package
 - Stringent Jitter

10 GbE vs 1 GbE Relative Cost FP 1300 nm

