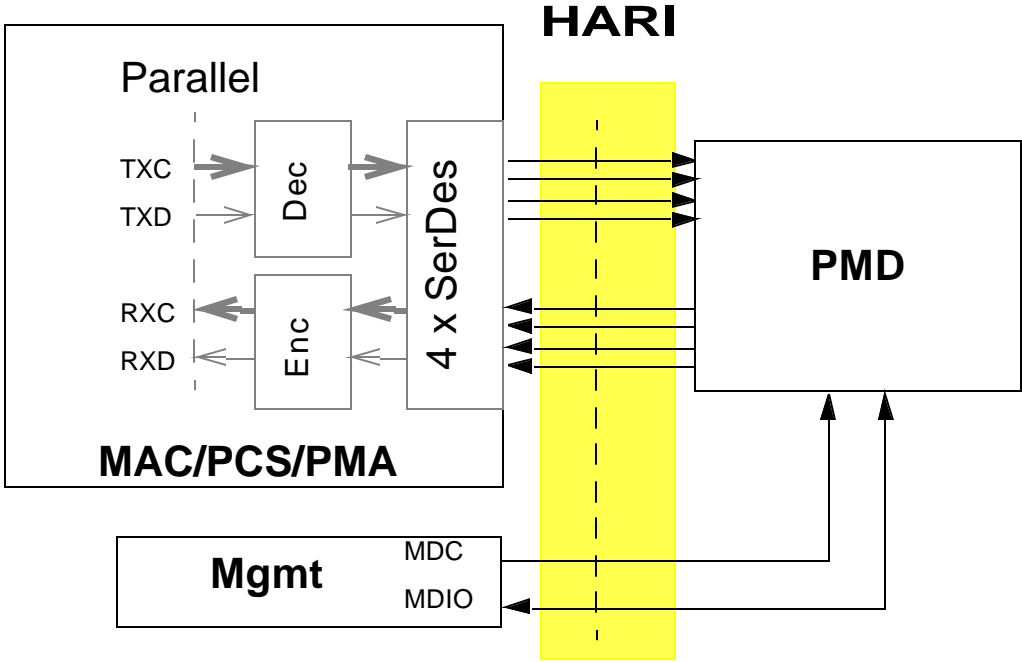
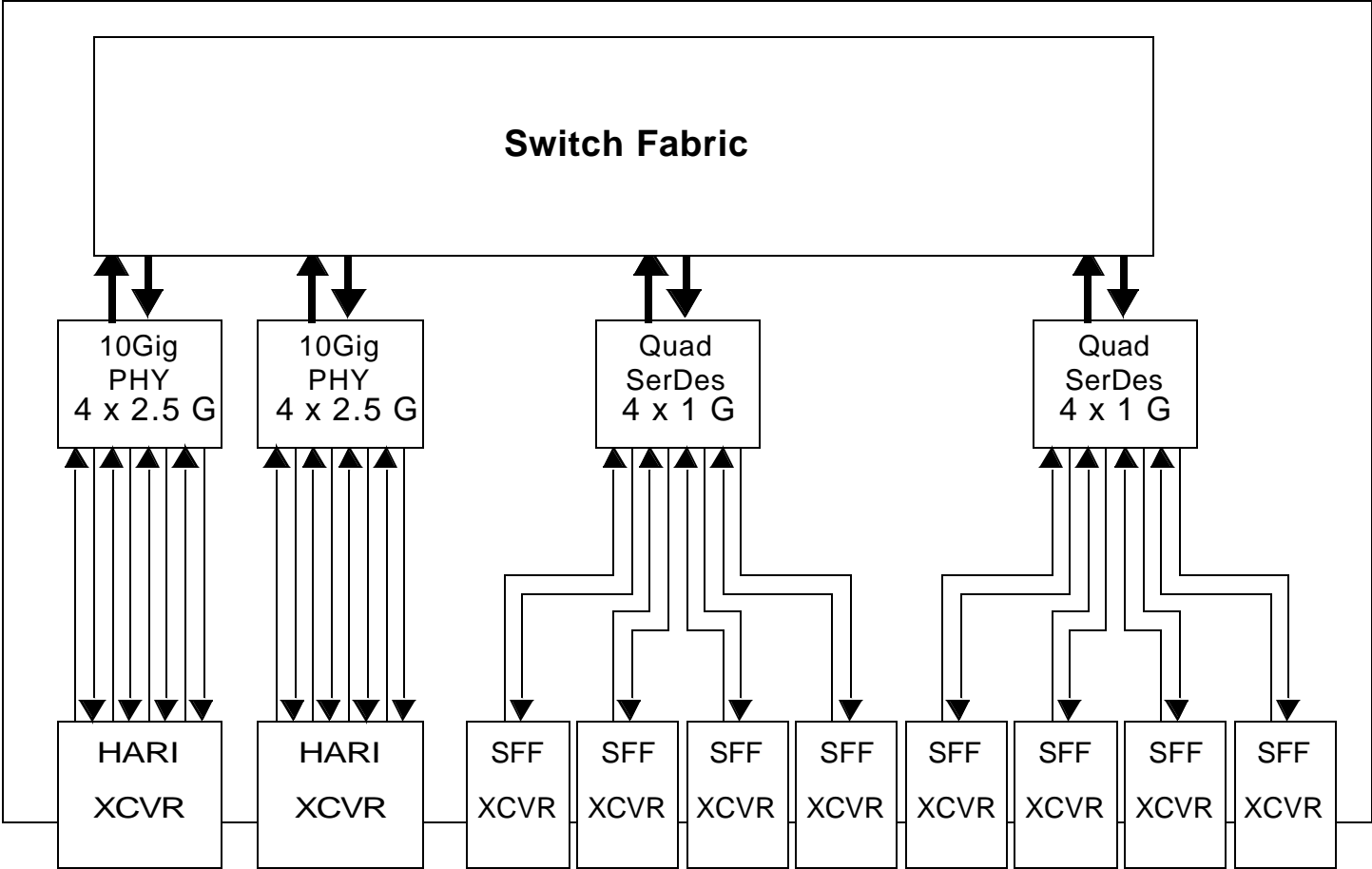


# Interface Locations



# Application



# HARI Summary

---

- HARI is an excellent fit for the 4 x 2.5 Gb/s Serial MII
- It is trivially easy to encode and stripe 10 Gig Ethernet on to HARI
- Multiple applications for HARI optical transceivers will:
  - encourage development and innovation
  - broaden the market
  - reduce costs