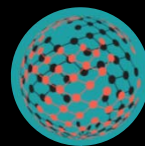




# 25GbE SMF 10km/40km Baseline Proposal

K. Tamura, Oclaro



# Outline

1. This presentation is a baseline proposal for a retimed 25Gb/s PMD to address the following objective of P802.3cc:
  - Provide physical layer specification which support 25 Gb/s operation over at least 10 km on SMF.
  - Provide physical layer specification which support 25 Gb/s operation over at least 40 km on SMF.
  
2. P802.3cc also has the following foundational objectives, which are carried over from P802.3by:
  - Support a MAC data rate of 25 Gb/s
  - Support full-duplex operation only
  - Preserve the Ethernet frame format utilizing the Ethernet MAC
  - Preserve minimum and maximum Frame Size of current IEEE 802.3 standard
  - Support a BER of better than or equal to  $10^{-12}$  at the MAC/PLS service interface (or the frame loss ratio equivalent)
  - Support optional Energy-Efficient Ethernet operation

# Background

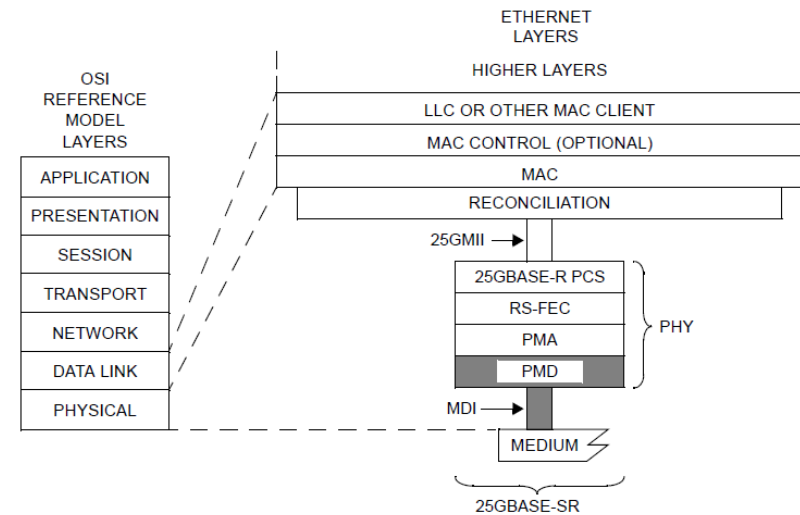
## 1. P802.3by defines 25GBASE-SR PMD as shown below (Ref: 8023by\_D2p2.pdf)

Table 112-1—Physical Layer clauses associated with the 25GBASE-SR PMD

Associated clause	25GBASE-SR
106—RS	Required
106—25GMII <sup>a</sup>	Optional
107—PCS for 25GBASE-R	Required
108—RS-FEC <sup>b</sup>	Required
109—PMA for 25GBASE-R	Required
109A—25GAUI C2C	Optional
109B—25GAUI C2M	Optional
78—Energy Efficient Ethernet	Optional

<sup>a</sup>The 25GMII is an optional interface. However, if the 25GMII is not implemented, a conforming implementation must behave functionally as though the RS and 25GMII were present.

<sup>b</sup>The option to bypass the Clause 108 RS-FEC correction function is not supported.



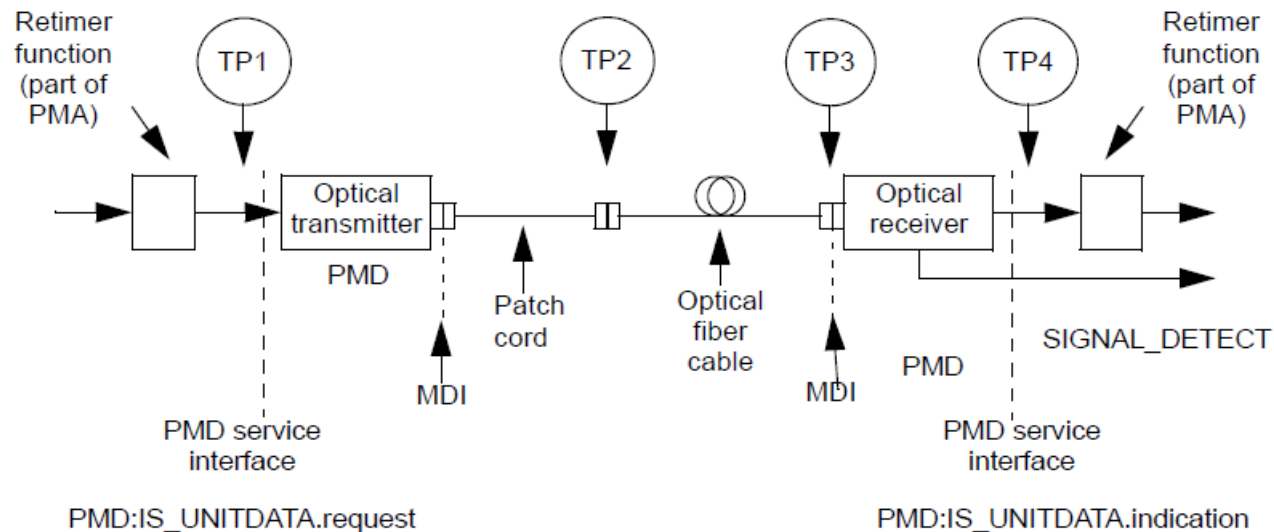
25GMII = 25 GIGABIT MEDIA INDEPENDENT INTERFACE  
 LLC = LOGICAL LINK CONTROL  
 MAC = MEDIA ACCESS CONTROL  
 MDI = MEDIUM DEPENDENT INTERFACE  
 PCS = PHYSICAL CODING SUBLAYER

PHY = PHYSICAL LAYER DEVICE  
 PMA = PHYSICAL MEDIUM ATTACHMENT  
 PMD = PHYSICAL MEDIUM DEPENDENT  
 RS-FEC = REED-SOLOMON FORWARD ERROR  
 CORRECTION  
 SR = PMD FOR MULTIMODE FIBER

Figure 112-1—25GBASE-SR PMD relationship to the ISO/IEC Open Systems Interconnection (OSI) reference model and the IEEE 802.3 Ethernet model

# Proposal For 25GbE SMF

1. Physical Layer clauses as associated with 25GBASE-SR
2. Specify PMD and MDI suitable for 25Gb/s Ethernet over 10km and 40km of duplex SMF (see diagram)
  - Transmitter specification at TP2
  - Receiver specification at TP3
  - TP1 and TP4 informative (not accessible)



For clarity, only one direction of transmission is shown

# Approach To 25GbE SMF Specification

1. For 10km, use approach outlined in tamura\_160314f\_10km\_25GSMF.pdf and leverage work in 32G FibreChannel, 100G-CWDM4, and 100G-PSM4.
2. For 40km, use approach outlined in tamura\_160314e\_40km\_25GSMF.pdf and leverage work in ITU-T G.959.1 for application code 4L1-9D1F (100G 40km with APD)
3. Reference 100GBASE-LR4 and 100GBASE-ER4 specifications where appropriate
4. Make adjustments to specifications where reasonable (summary of recommendations is below)

## Recommended Adjustments To Specifications For 25GbE-10km

- Tx OMA (max): Increase from 2.5dBm to 3.0dBm to accommodate higher ER (to 5.5dB).
- TDP (max): Reduce from 3dB to 2.7dB to match FibreChannel specification

# Recommended Adjustments To Specifications For 25GbE 40km

- Wavelength (range): For convenience, round to 1295 - 1310nm from over 1294.53 - 1310.19nm (4L1-9D1F)
- Tx Average Power (max): 6.0dBm (4L1-9D1F is 5.1dBm which includes OMUX loss)
- Tx Average Power (min): 2.0dBm (4L1-9D1F is 2.5dBm)
- Tx OMA (min): 1.4dBm (4L1-9D1F is 1.9dBm)
- Tx OMA-TDP (min): 0.4dBm (TDP (min) of 1dB. 4L1-9D1F has 1.5dB maximum optical path penalty)
- Channel Insertion Loss (min): 11dB (4L1-9D1F is 10dB). *(Note: Gap of 2dB with power budget of 10km needs discussion).*

# Channel Characteristics

Description	25GbE-LR	25GbE-ER		Unit
		30	40	
Operating distance (max)	10	30	40	km
Channel insertion loss <sup>a, b</sup> (max)	6.3	18		dB
Channel insertion loss (min)	0	11		dB
Positive dispersion <sup>b</sup> (max)	23	28	36	ps/nm
Negative dispersion <sup>b</sup> (min)	-28	-84	-114	ps/nm
DGD_max <sup>c</sup>	8	10.3	10.3	ps
Optical return loss (min)	21	21		dB

a. These channel insertion loss values include cable, connectors, and splices.

b. Over the wavelength range 1295nm to 1325nm for 25GbE-LR and 1295nm to 1310nm for 25GbE-ER.

c. Differential Group Delay (DGD) is the time difference at reception between the fractions of a pulse that were transmitted in the two principal states of polarization of an optical signal. DGD\_max is the maximum differential group delay that the system must tolerate.



# Operating Ranges

<b>PMD type</b>	<b>Required operating range</b>
25GbE-LR	2m to 10km
25GbE-ER	2m to 30km
	2m to 40km <sup>a</sup>

a. Links longer than 30km for the same link power budget are considered engineered links. Attenuation for such links needs to be less than the worst case specified B1.1, B1.3, or B6\_a single mode fiber.

# Transmit Characteristics

Description	25GbE-LR	25GbE-ER	Unit
Signaling rate (range)	25.78125 $\pm$ 100ppm		GBd
Operating BER (max)	5x10 <sup>-5</sup>		
Wavelength (range)	1295 to 1325	1295 to 1310	nm
Side-mode suppression ratio (SMSR), (min)	30		dB
Average launch power (max)	2.5	6.0	dBm
Average launch power (min)	-6.5	2.0	dBm
Optical Modulation Amplitude (OMA), (max)	3.0	6.0	dBm
Optical Modulation Amplitude (OMA), (min)	-4	1.4	dBm
Launch power in OMA minus TDP (min)	-5	0.4	dBm
Transmitter and dispersion penalty (TDP), (max)	2.7	2.7	dB
Average launch power of OFF transmitter (max)	-30		dBm
Extinction ratio (min)	3.5	4	dB
RIN <sub>20</sub> OMA (max)	-130		dB/Hz
Optical return loss tolerance (max)	20		dB
Transmitter reflectance (max)	-12		dB
Transmitter eye mask definition (X1, X2, X3, Y1, Y2, Y3)	{0.31, 0.4, 0.45, 0.34, 0.38, 0.4}		

# Receive Characteristics

Description	25GbE-LR	25GbE-ER	Unit
Signaling rate (range)	25.78125 ± 100ppm		GBd
Operating BER (max)	5 x 10 <sup>-5</sup>		
Wavelength (range)	1295 to 1325	1295 to 1310	nm
Damage threshold (min)	5.5	TBD	dBm
Average receive power (max)	2.5	-5.0	dBm
Average receive power (min)	-12.8	-16.0	dBm
Receive power(OMA) (max)	3.0	-5.0	dBm
Receiver reflectance (max)	-26		dB
Receiver sensitivity (OMA) (max)	-11.3	-17.6	dBm
Receiver 3 dB electrical upper cutoff frequency (max)	31	31	GHz
Stressed receiver sensitivity (OMA) (max)	TBD	TBD	dBm
Conditions of stressed receiver sensitivity test:			
Vertical eye closure penalty	TBD	TBD	dB
Stressed eye J2 Jitter	TBD	TBD	UI
Stressed eye J4 Jitter	TBD	TBD	UI
SRS eye mask definition (X1, X2, X3, Y1, Y2, Y3)	TBD	TBD	

# Illustrative Link Power Budget

<b>Parameter</b>	<b>25GbE-LR</b>	<b>25GbE-ER</b>		<b>Unit</b>
Power budget (for max TDP)	9	21.5		dB
Operating distance	10	30	40	km
Channel insertion loss (max)	6.3	15	18	dB
Channel insertion loss (min)	0	11		dB
Maximum discrete reflectance	-26	-26		dB
Allocation for penalties (for max TDP)	2.7	-		dB
Allocation for penalties	-	3.5		
Additional insertion loss allowed	0	3	0	dB

# Summary

1. Baseline proposals summarized for 25GbE over 10km (LR) and 40km (ER).
2. Physical Layer clauses are the same as 25GBASE-SR, which adds 25GbE-LR and 25GbE-ER PMDs to existing 25GbE ports.