

Remedies for comments #105, #106, #107
IEEE802.3bt Draft 2.1 Annex 33C

rev.: 1.2

Miklos Lukacs (Silicon Labs) | 12 Nov 2016

Connection Check sequence diagrams

comments #106,107

33C.1 Type 3 and Type 4 CC_DET_SEQ timing diagrams

Each of the following sample timing diagrams shows a PSE performing a sequence of connection check, detection, classification, power up and power on events. A PSE implements one or more of the four defined CC_DET_SEQ sequence based on the results of detection, connection check and 4PID.

When the result of the connection check is dual the alternatives are controlled by the semi-independent dual-signature state machine. In this case the detection, classification and power up may not be synchronized between the alternatives.

CC_DET_SEQ=0 when the result of connection check is dual and Class_4PID_mult_events_sec is TRUE

comments #106,107

Figure 33C-2 in Draft 2.1

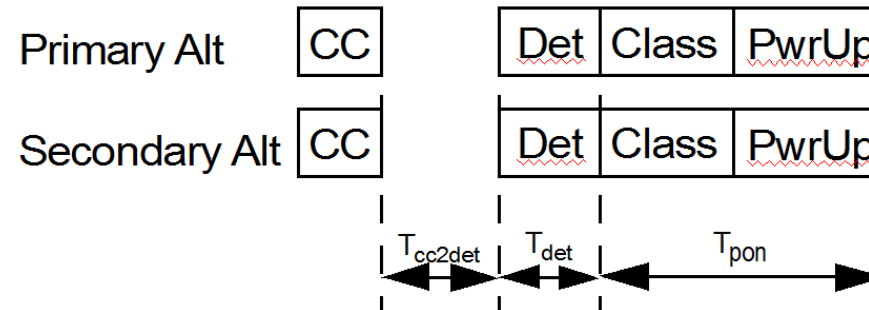


Figure 33C-2—PSE implementing CC_DET_SEQ=0, do_cxn_chk result is dual, simultaneous power on

Proposed new Figure 33C-2

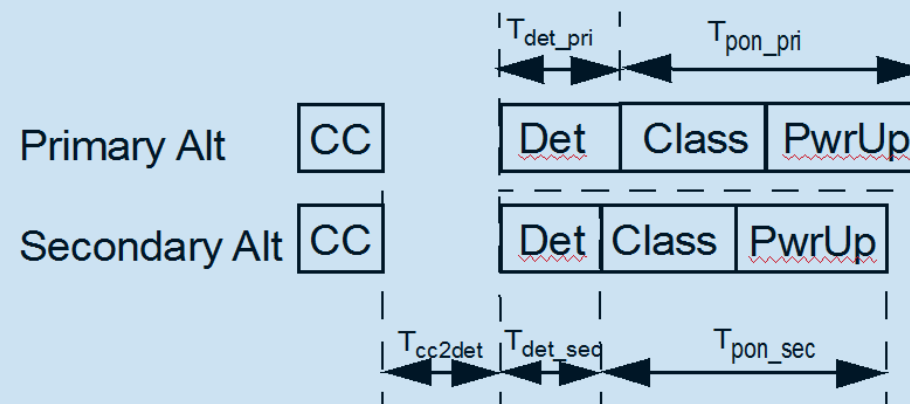


Figure 33C-2—PSE implementing CC_DET_SEQ=0, do_cxn_chk result is dual; quasi-simultaneous power on

CC_DET_SEQ=1 when the result of connection check is dual and Class_4PID_mult_events_sec is TRUE

comments #106,107

Figure 33C-5 in Draft 2.1

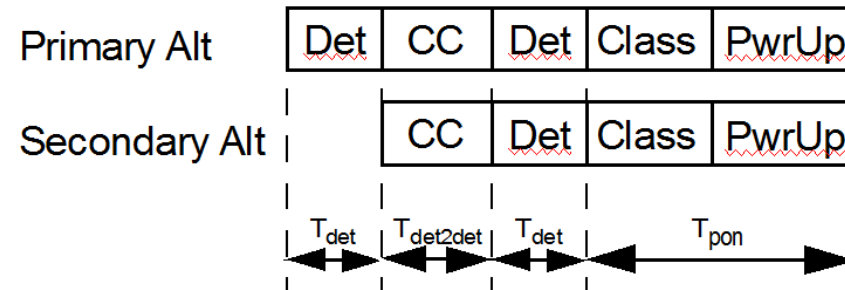


Figure 33C-5—PSE implementing CC_DET_SEQ=1, do_cxn_chk result is dual, simultaneous power on

Proposed new Figure 33C-5

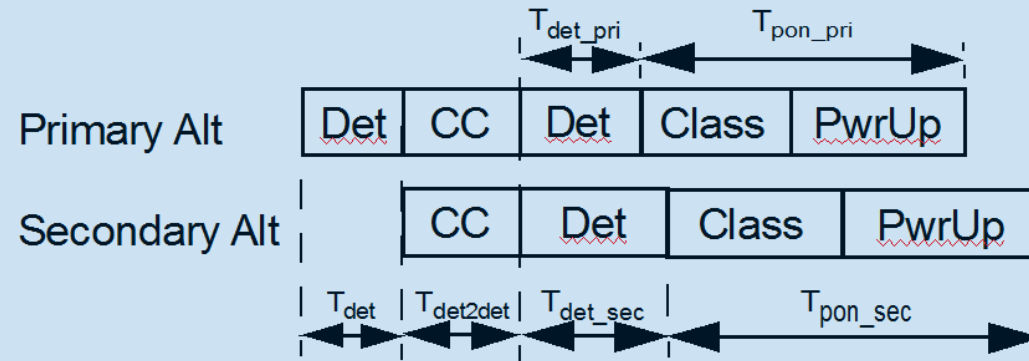


Figure 33C-5—PSE implementing CC_DET_SEQ=1, do_cxn_chk result is dual, quasi-simultaneous power on

CC_DET_SEQ=1 when the result of connection check is dual and Class_4PID_mult_events_sec is TRUE

comments #106,107

Figure 33C-8 in Draft 2.1

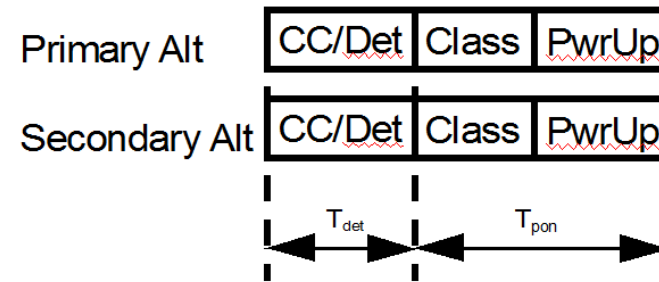


Figure 33C-8—PSE implementing CC_DET_SEQ=2, do_cxn_chk result is dual, simultaneous power on

Proposed new Figure 33C-8

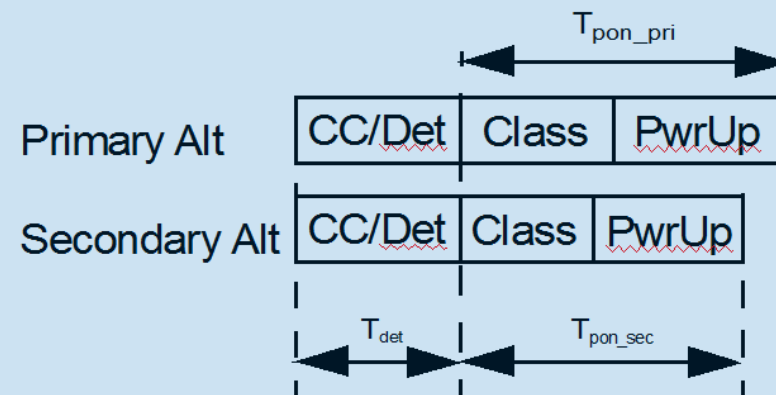


Figure 33C-8—PSE implementing CC_DET_SEQ=2, do_cxn_chk result is dual, quasi-simultaneous classification and power on

Single-Event classification

comment #105

Figure 33C-13 in Draft 2.1

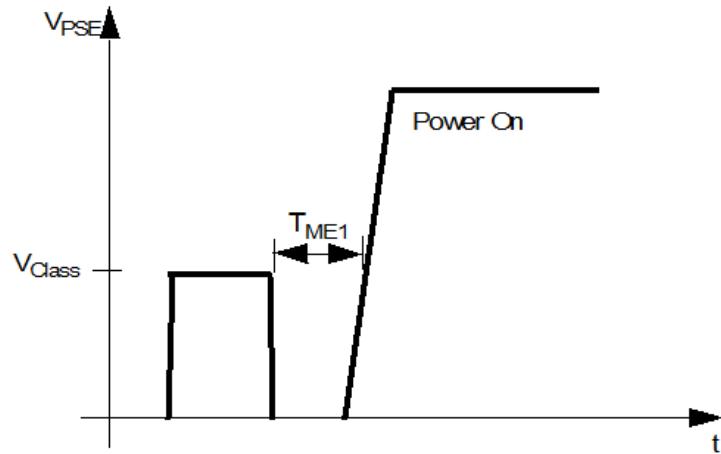


Figure 33C-13—PSE Single-Event Physical Layer classification

Proposed new Figure 33C-13

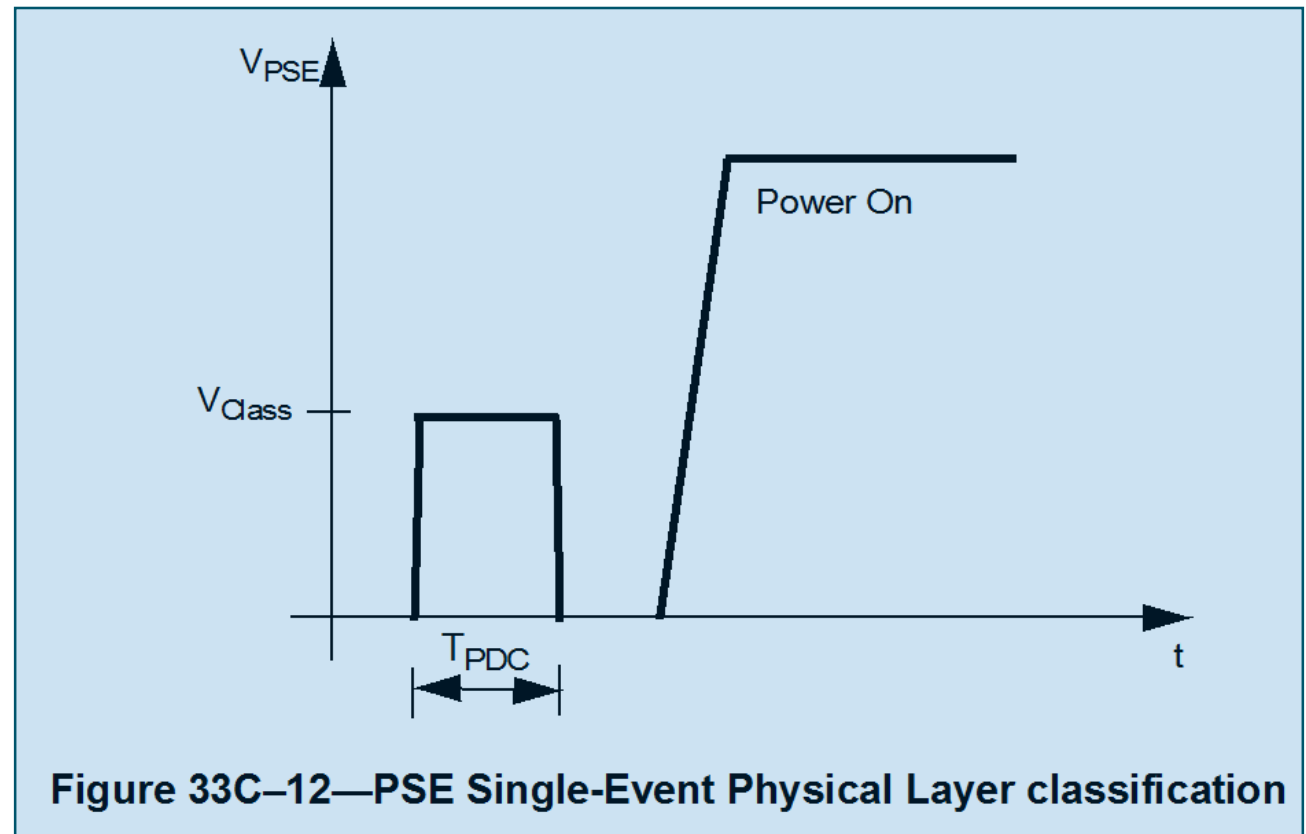


Figure 33C-12—PSE Single-Event Physical Layer classification

Thank You!