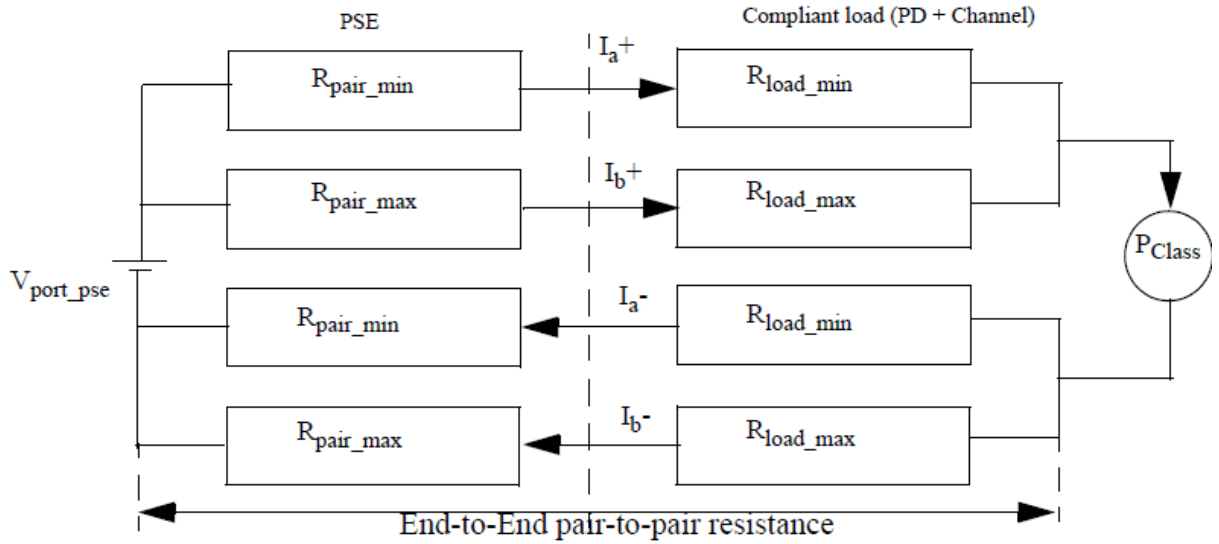
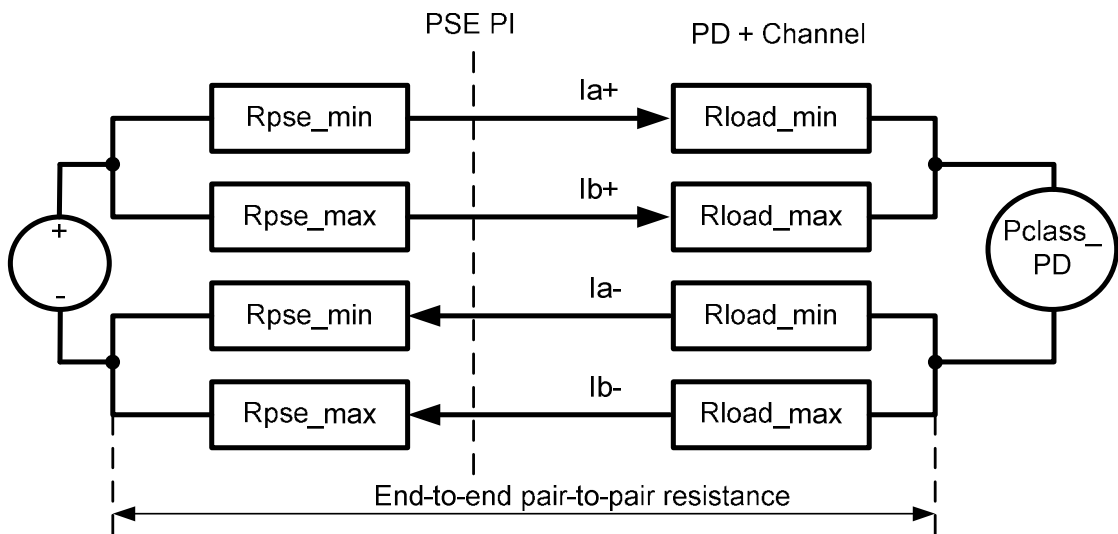


Response to comment #146 and #147 , IEEE802.3bt Draft D1.4.

1. Replace Figure 33B-1 from:



To:



- In Page 102 lines 1,2,4,11,24,26,33, Equation 33-4b and Page 137 line 13 and Figure 33B-2. Change from  $R_{pair\_max}$  and  $R_{pair\_min}$  to  $R_{pse\_max}$  and  $R_{pse\_min}$  accordingly.

Response to comment #146 and #147 , Yair Darshan. November 2015.