


# Dual Signature Classification

 PD presents class signature


## Single-Signature

Type x ← Possible PD Types

 PI allocated power

## Dual-Signature

Type x ← Possible PD Types

 Pairset allocated power

## Type 4 PSE

## Type 3 PSE

## Type 1 PSE

## Type 2 PSE

$P_{PSE} \geq 15.4W$

$P_{PSE} \geq 15.4W$  or  $30W$

$P_{PSE} \geq 15.4W$  or  $30W$

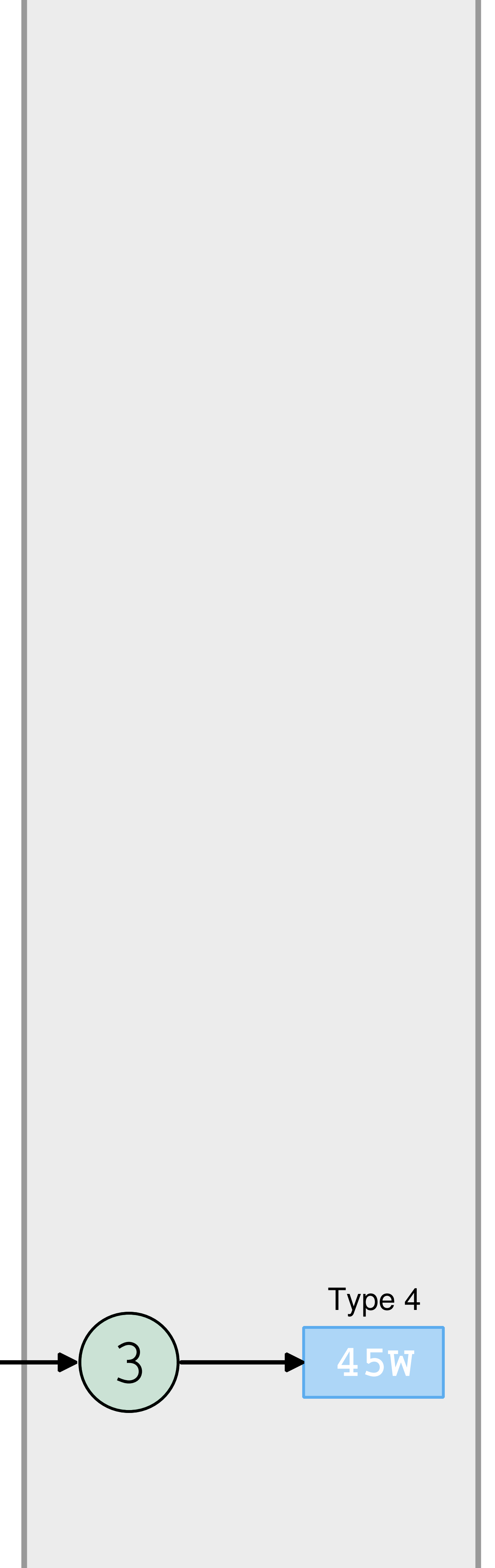
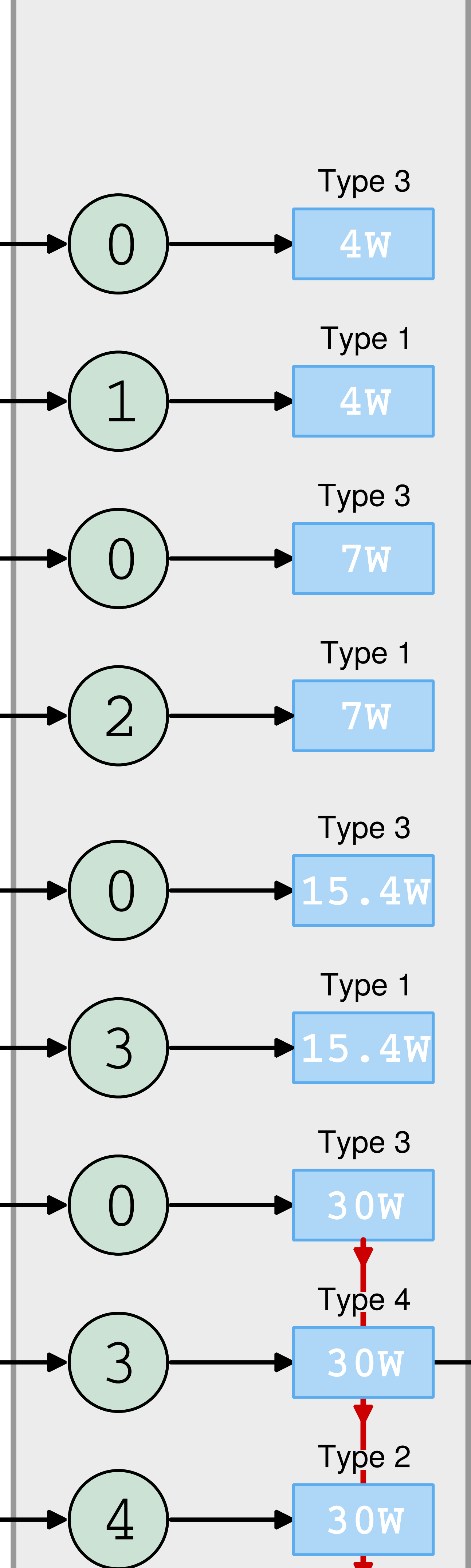
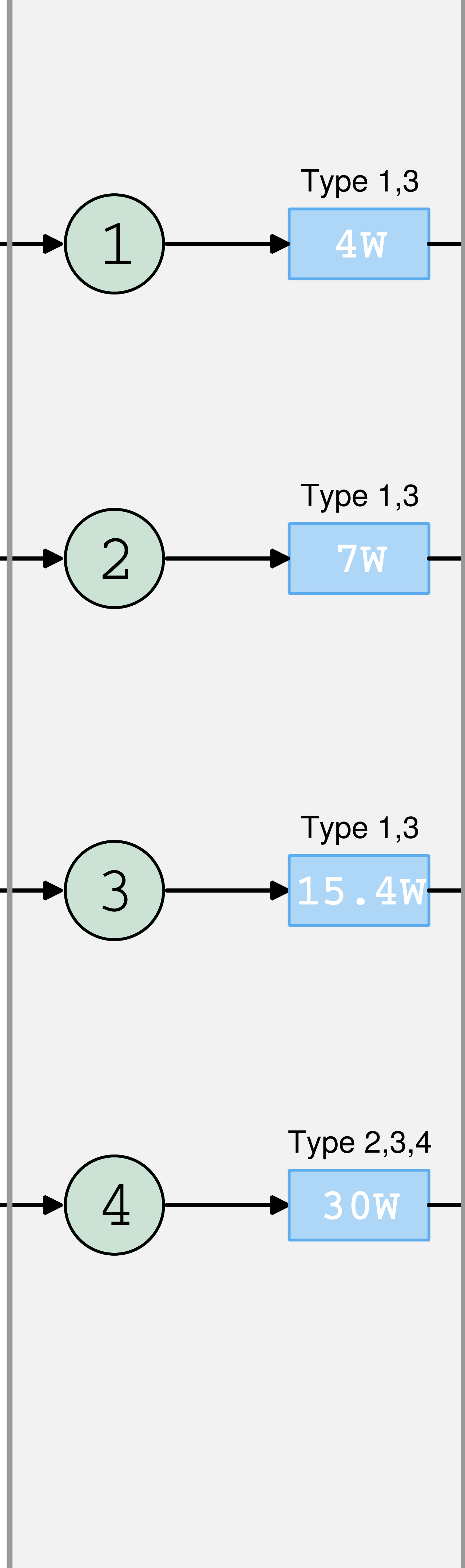
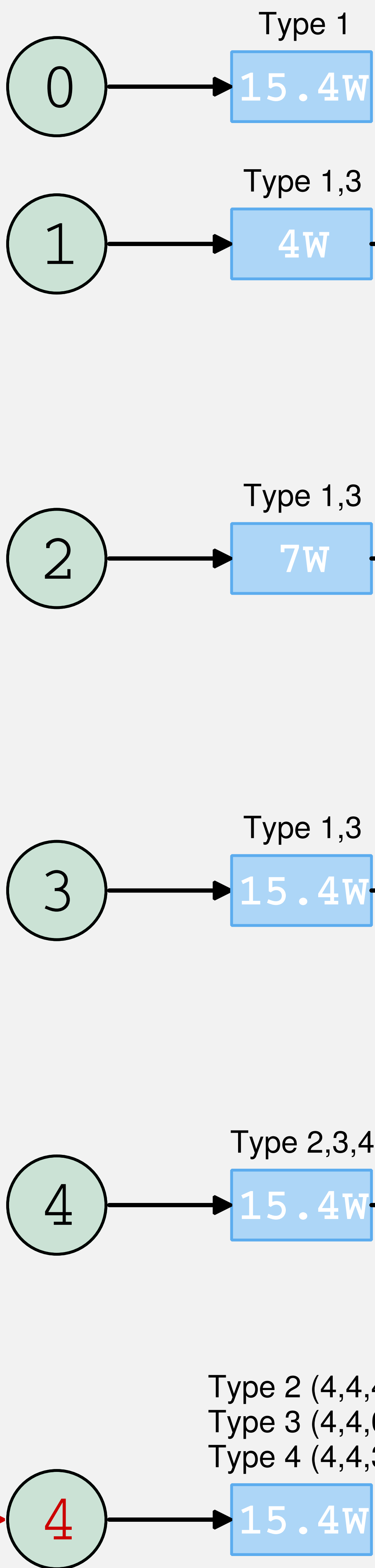
$P_{PSE} \geq 45W$

EVENT **1** OR **1**

EVENT **2**

EVENT **3**

EVENT **4**



Classification reset if  $P_{PSE} < 30W$