

145.2.5.6 Functions: Add pri and sec versions of do_class_probe.

do_class_probe

This functions discovers the PD requested Class by producing a number of class events. The class events produced are limited to CLASS_EV1_LCE to MARK_EV3. The tlc_timer in CLASS_EV1_LCE may be replaced with the tlc2_timer to allow abbreviated class timing duration. This function returns the following variables:

pd_req_pwr: This variable contains the PD requested Class.

Values:

- 0: Class 0
- 1: Class 1
- 2: Class 2
- 3: Class 3
- 4: Class 4
- 5: Class 5
- 6: Class 6
- 7: Class 7
- 8: Class 8

Editor granted license to update pd_cls_4PID_pri/sec return variables in same manner as main variables of same name based on draft 3.0 accepted comments.

do_class_probe_pri

This functions discovers the PD requested Class by producing a number of class events on the Primary Alternative. The class events produced are limited to CLASS_EV1_LCE_PRI to MARK_EV3_PRI. The tlc_timer_pri in CLASS_EV1_LCE_PRI may be replaced with the tlc2_timer_pri to allow abbreviated class timing duration. This function returns the following variables:

pd_req_pwr_pri: This variable contains the PD requested Class for the Primary Alternative.

Values:

- 0: Class 0
- 1: Class 1
- 2: Class 2
- 3: Class 3
- 4: Class 4
- 5: Class 5

pd_cls_4PID_pri: This variable indicates that the Type of the dual-signature PD has been established on the Primary Alternative by Physical Layer Classification.

Values:

FALSE: PD is not a candidate for 4-pair power or the PSE has not used Physical Layer Classification to determine the PD's Type.

TRUE: PD is a candidate for 4-pair power and has been identified as a Type 3 or Type 4 PD. (See Table-145-25.)

do_class_probe_sec

This function discovers the PD requested Class by producing a number of class events on the Secondary Alternative. The class events produced are limited to CLASS_EV1_LCE_SEC to MARK_EV3_SEC. The tlce_timer_sec in CLASS_EV1_LCE_SEC may be replaced with the tcle2_timer_sec to allow abbreviated class timing duration. This function returns the following variables:

pd_req_pwr_sec: This variable contains the PD requested Class for the Secondary Alternative.

Values:

- 0: Class 0
- 1: Class 1
- 2: Class 2
- 3: Class 3
- 4: Class 4
- 5: Class 5

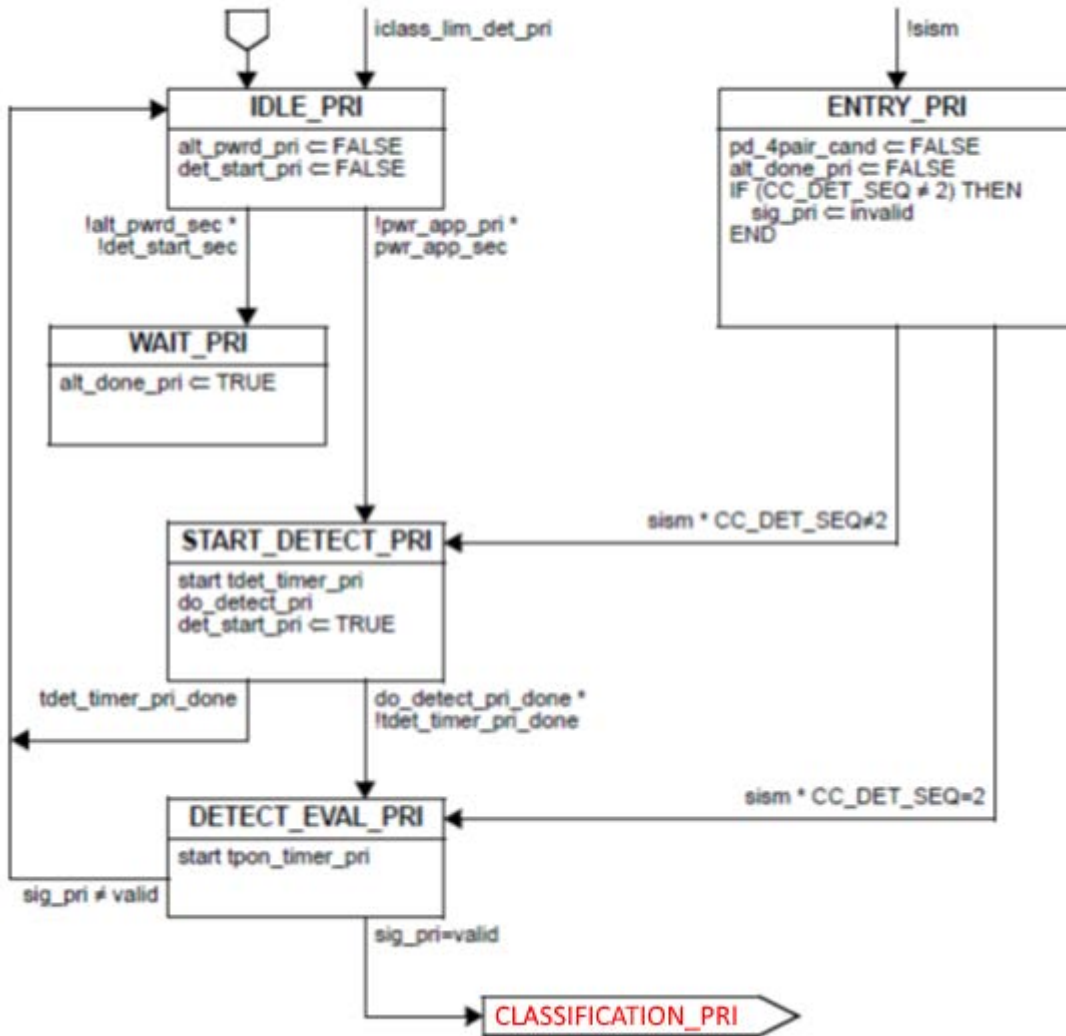
pd_cls_4PID_sec: This variable indicates that the Type of the dual-signature PD has been established on the Secondary Alternative by Physical Layer Classification.

Values:

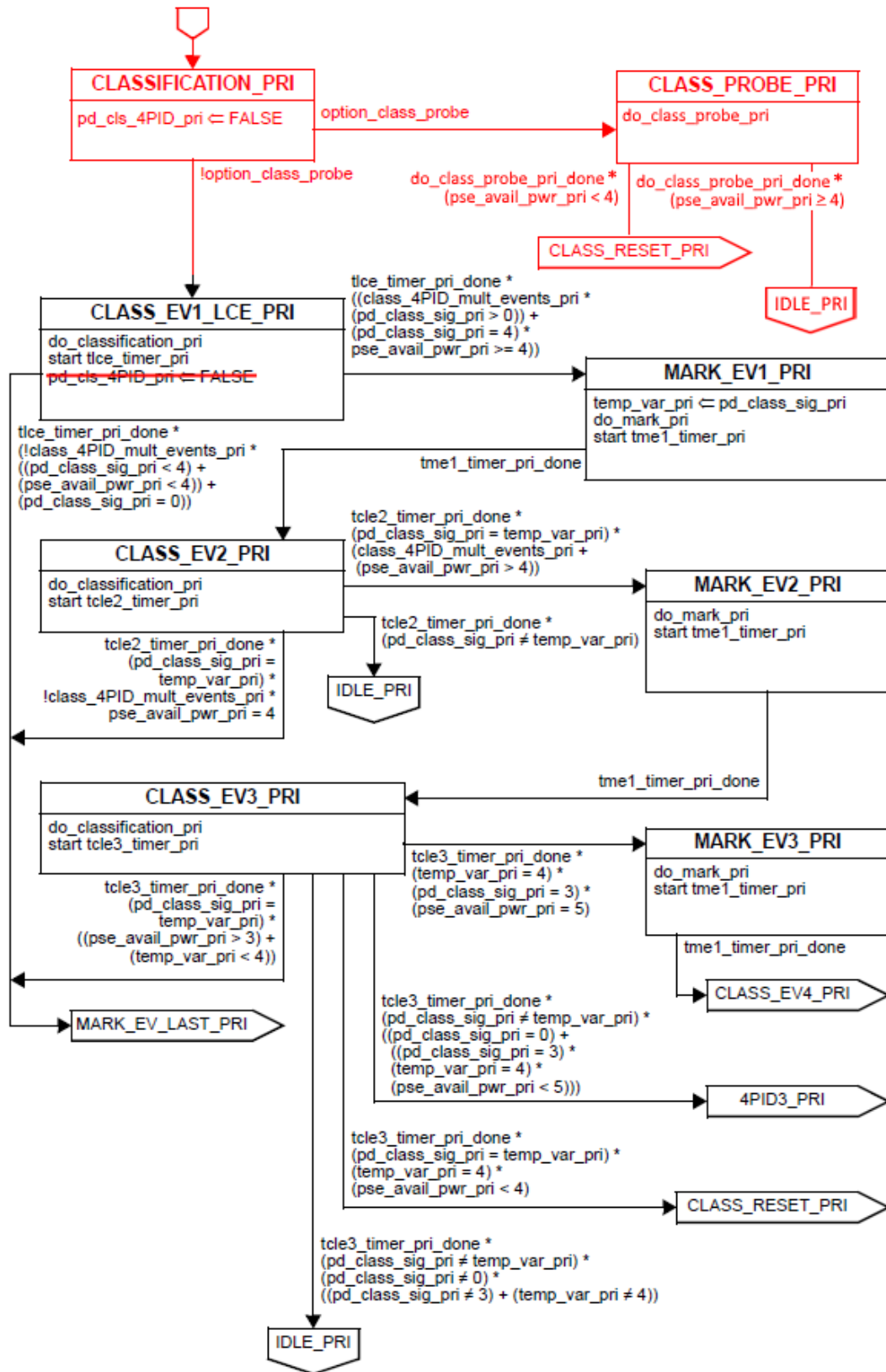
FALSE: PD is not a candidate for 4-pair power or the PSE has not used Physical Layer Classification to determine the PD's Type.

TRUE: PD is a candidate for 4-pair power and has been identified as a Type 3 or Type 4 PD. (See Table-145-25.)

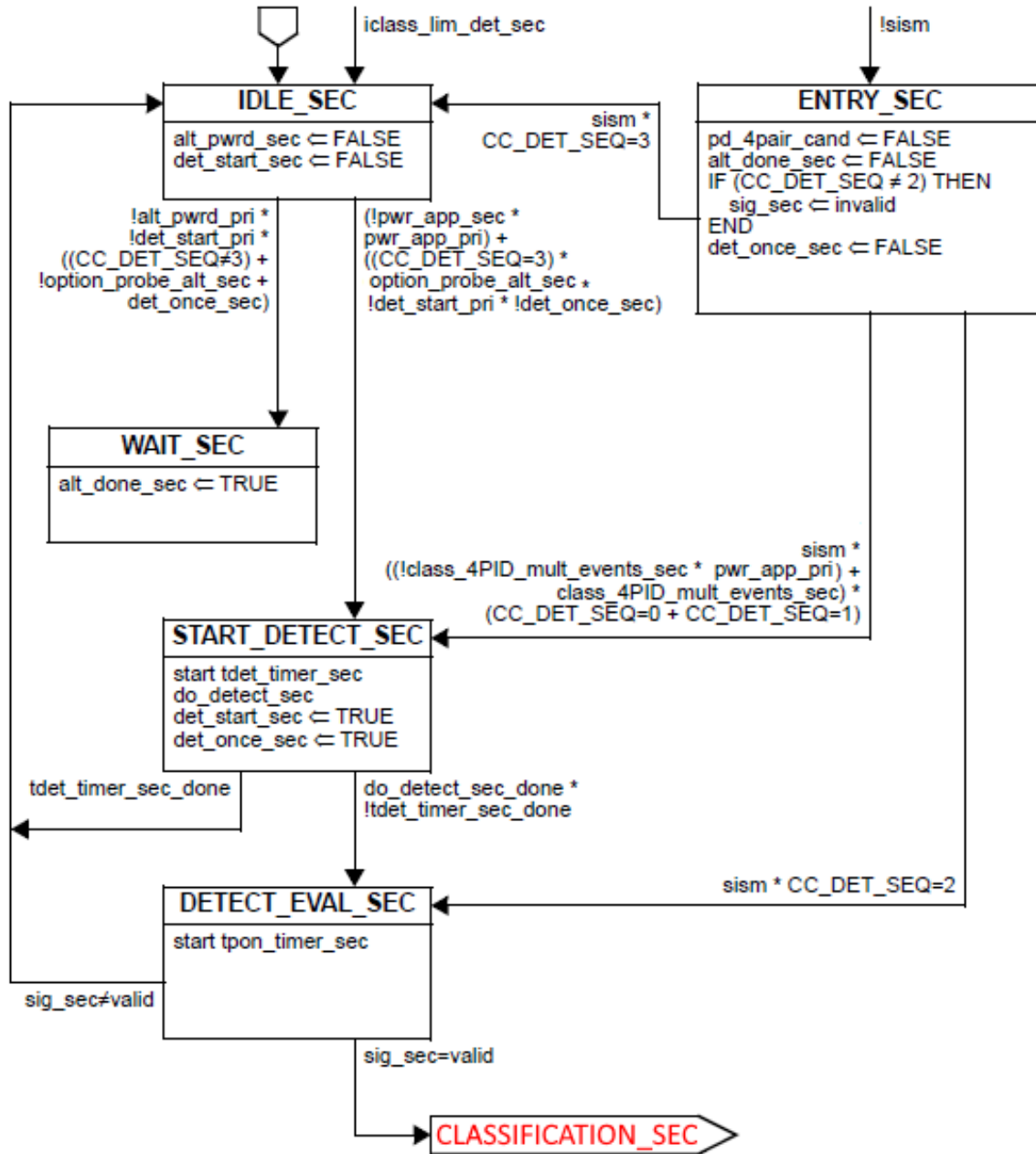
Modify Figure 145-15 to connect DETECT_EVAL_PRI to CLASSIFICATION_PRI



Modify Figure 145-15 to allow CLASS_PROBE_PRI



Modify Figure 145-16 to connect DETECT_EVAL_SEC to CLASSIFICATION_SEC



Modify Figure 145-16 to allow CLASS_PROBE_SEC

