



50G, 100G & 200G SERVER CONNECTIVITY

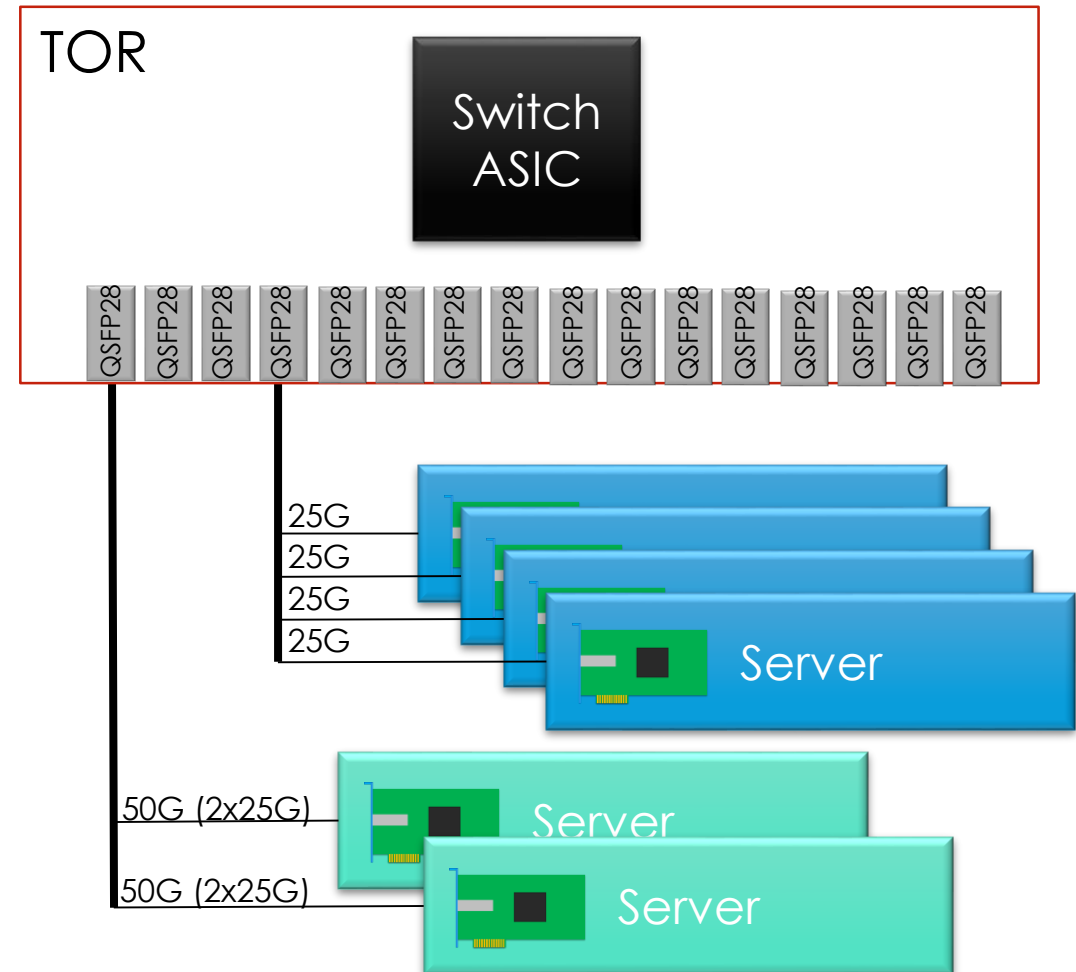
Brad Booth, Microsoft

SUPPORTERS

- Mike Andrewartha, Microsoft
- Your name could be here...

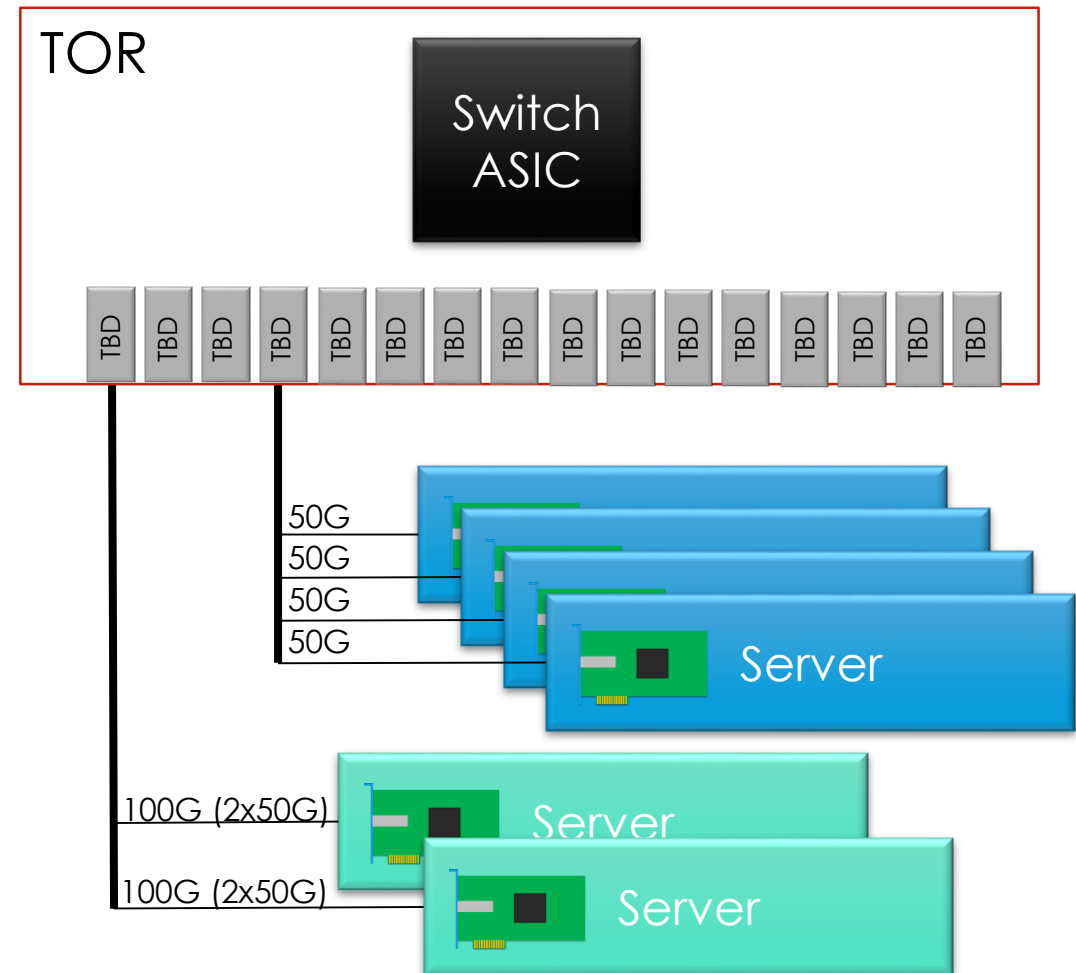
CURRENT TOPOLOGIES

- TOR uplinks are 100G
- 25G server links
 - Single with SFP28, or
 - 4:1 break-out with QSFP28/ μ QSFP
- 50G server links
 - 25G/50G Ethernet Consortium spec
 - 4:2 break-out with QSFP28/ μ QSFP
- P802.3by supports:
 - Reach up to 5 meters
 - No FEC, KR-FEC, RS-FEC



POTENTIAL FUTURE TOPOLOGIES

- Uplinks from the TOR are 400G
 - As per [booth 400 01a 1113.pdf](#)
- 50G server links
 - Same scenario as with 25G
- 100G server links
 - Very likely given current gen 50G
- 200G server links
 - Interesting with 100G serial links
- TBD module
 - Same module as previous gen?
 - Power requirements DAC vs. optics



THOUGHTS ON 50G, 100G & 200G

- Discussions occurred with datacenter team members on requirements
- Due to timeline, the 100G (2x50G) copper cabling effort is of interest
 - Potential for optics to the server... can there be cost parity?
- Still have a strong requirement for no or very low latency FEC
 - Support bump-in-the-wire technologies
 - Less than 100 ns
- Willing to tolerate a shorter reach to achieve
 - Up to 2 m on twinax
- 200G MAC-to-MAC above the server is not interesting
 - 200G break-out module is likely to be used

BREAK-OUT

- While typically an implementation issue, do we have the margin at 50G with PAM4?
- 50G PAM4 used in 400G is designed for long reaches
- What happens if we don't use KP4 FEC in short reaches?
- Should the task force consider the implementation concerns with break-out
 - Crosstalk, etc.
 - Do we need an objective?

THANK YOU!

