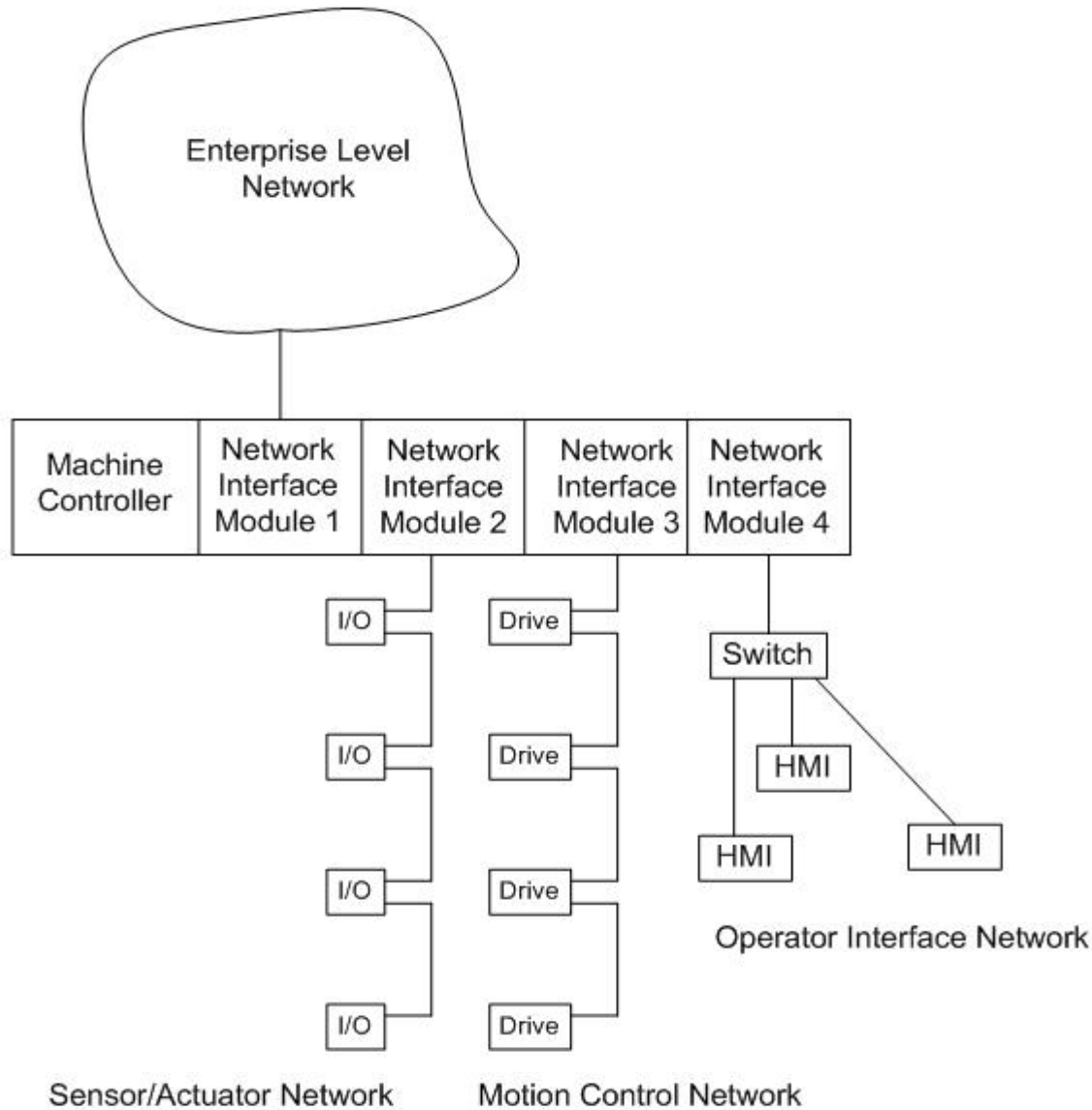


Machine Control System Example

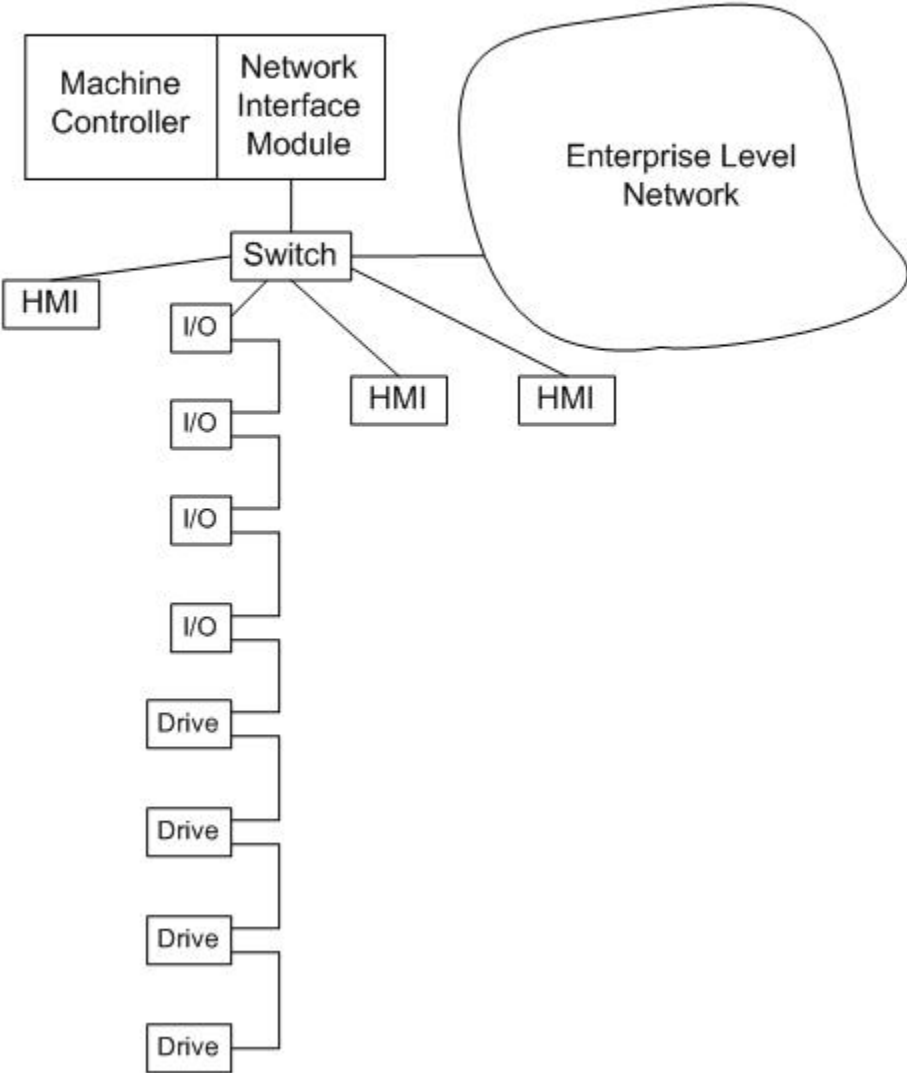
IEEE 802.3 SG "Distinguished low latency traffic in a converged traffic environment"
January 2013 Meeting

Anatoly Moldovansky
Rockwell Automation
amoldovansky@ra.rockwell.com

Current Architecture



Desirable Architecture



Advantages:

- Less networks:
 - Simpler system design
 - Less components
 - Ease of configuration
 - Visibility of devices on the entire network from a single monitoring station
- Lower system cost:
 - Installation
 - Configuration
 - Maintenance and Troubleshooting

Thank You