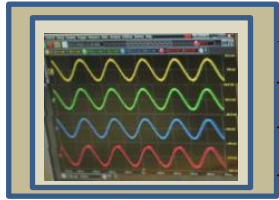


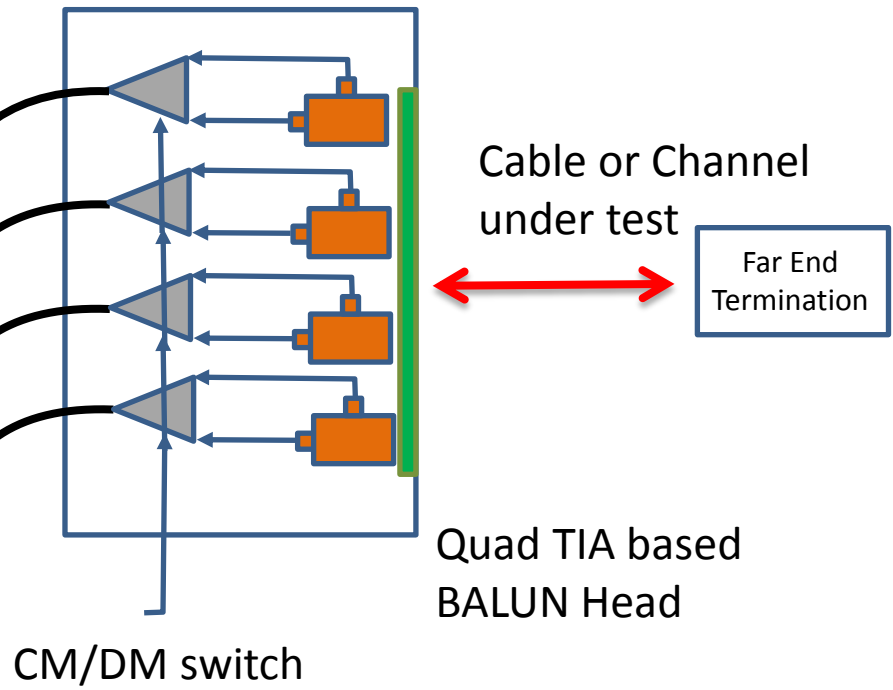
**802.3 NGEABT Impulse Noise and Use Case ad hoc submission**  
**Bryan Moffitt - CommScope**

Test setup proposal and issues for measuring noise on cabling

Infiniium  
MSO9404A Scope



quad coax  
extension

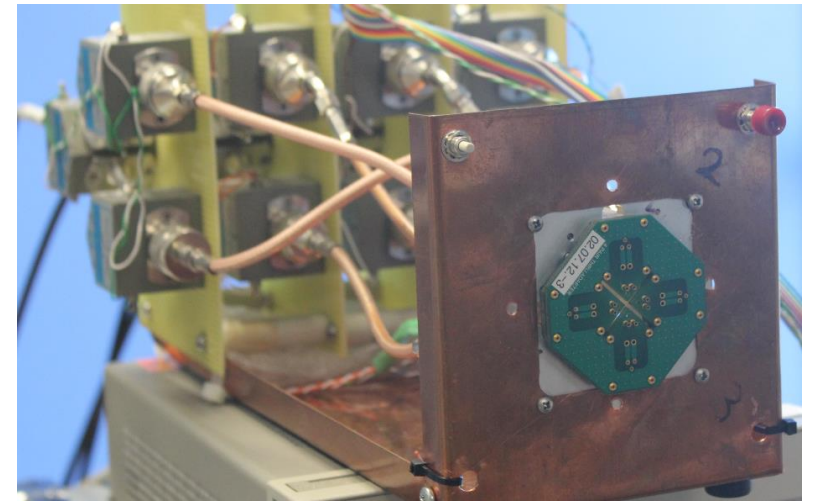
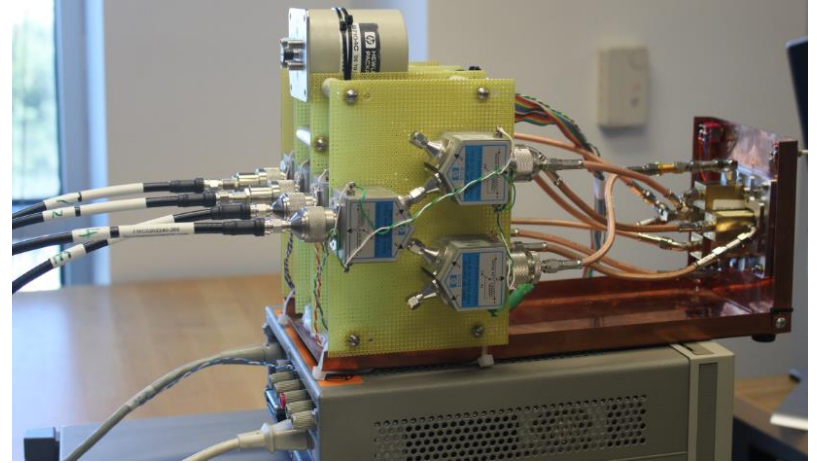
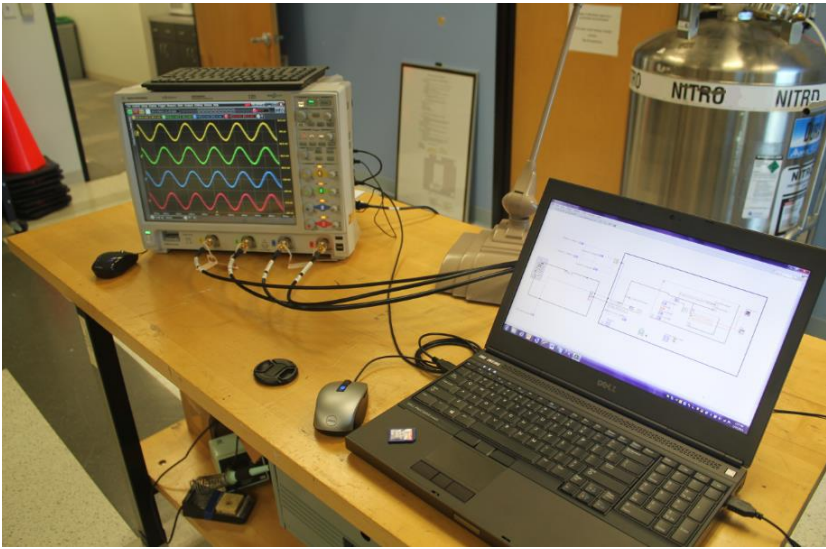


Cable or Channel  
under test

Far End  
Termination

Quad TIA based  
BALUN Head

CM/DM switch



## Issues:

- Certification test consistency (IEC60001-4-5 and/or what else?)
- CM termination impedance (& FE) ?
- FE Ground referencing ?
- Calibration/correction ?
- Scope triggering/sampling/bandwidth setups ?
- Monitoring duration VS trigger amplitude ?
- ?