
NGEAB-T Use Case ad hoc

February 20, 2015

Chris DiMinico
MC Communications/Panduit
cdiminico@ieee.org

Agenda

Agenda February 20, 2015

(1) Review patent policy

(2) Review action items -

- WAP cabling standard use that as the basis for deployment configurations – Chris DiMinico**
- Develop survey information for soliciting use case and deployment configurations**
- Bundled cable lengths Fill 1000BASE-T/10GBT etc... Noise environ – survey/measurements -**
- Soliciting feedback on request for information – Peter/Amrik/Jackie**

(3) Review contributions

- NGEAB-T Use Case Ad Hoc- WAP deployment configurations – Chris DiMinico**

(4) Action items -

Participants, Patents, and Duty to Inform

All participants in this meeting have certain obligations under the IEEE-SA Patent Policy.

- Participants [Note: Quoted text excerpted from IEEE-SA Standards Board Bylaws subclause 6.2]:
 - “Shall inform the IEEE (or cause the IEEE to be informed)” of the identity of each “holder of any potential Essential Patent Claims of which they are personally aware” if the claims are owned or controlled by the participant or the entity the participant is from, employed by, or otherwise represents
 - “Personal awareness” means that the participant “is personally aware that the holder may have a potential Essential Patent Claim,” even if the participant is not personally aware of the specific patents or patent claims
 - “Should inform the IEEE (or cause the IEEE to be informed)” of the identity of “any other holders of such potential Essential Patent Claims” (that is, third parties that are not affiliated with the participant, with the participant’s employer, or with anyone else that the participant is from or otherwise represents)
- The above does not apply if the patent claim is already the subject of an Accepted Letter of Assurance that applies to the proposed standard(s) under consideration by this group
- Early identification of holders of potential Essential Patent Claims is strongly encouraged
- No duty to perform a patent search

▲ ———

Call for Potentially Essential Patents

- If anyone in this meeting is personally aware of the holder of any patent claims that are potentially essential to implementation of the proposed standard(s) under consideration by this group and that are not already the subject of an Accepted Letter of Assurance:
 - Either speak up now or
 - Provide the chair of this group with the identity of the holder(s) of any and all such claims as soon as possible or
 - Cause an LOA to be submitted

Patent Related Links

All participants should be familiar with their obligations under the IEEE-SA Policies & Procedures for standards development.

Patent Policy is stated in these sources:

IEEE-SA Standards Boards Bylaws

<http://standards.ieee.org/develop/policies/bylaws/sect6-7.html#6>

IEEE-SA Standards Board Operations Manual

<http://standards.ieee.org/develop/policies/opman/sect6.html#6.3>

Material about the patent policy is available at

<http://standards.ieee.org/about/sasb/patcom/materials.html>

If you have questions, contact the IEEE-SA Standards Board Patent Committee Administrator at patcom@ieee.org or visit <http://standards.ieee.org/about/sasb/patcom/index.html>

This slide set is available at <https://development.standards.ieee.org/myproject/Public/mytools/mob/slideset.ppt>

TIA/TSB-162-A – Cabling Guidelines WAPs

- Consider cabling guidelines as basis for cabling deployment configurations for WAPs
- Review with system OEMs as framework for use cases/survey

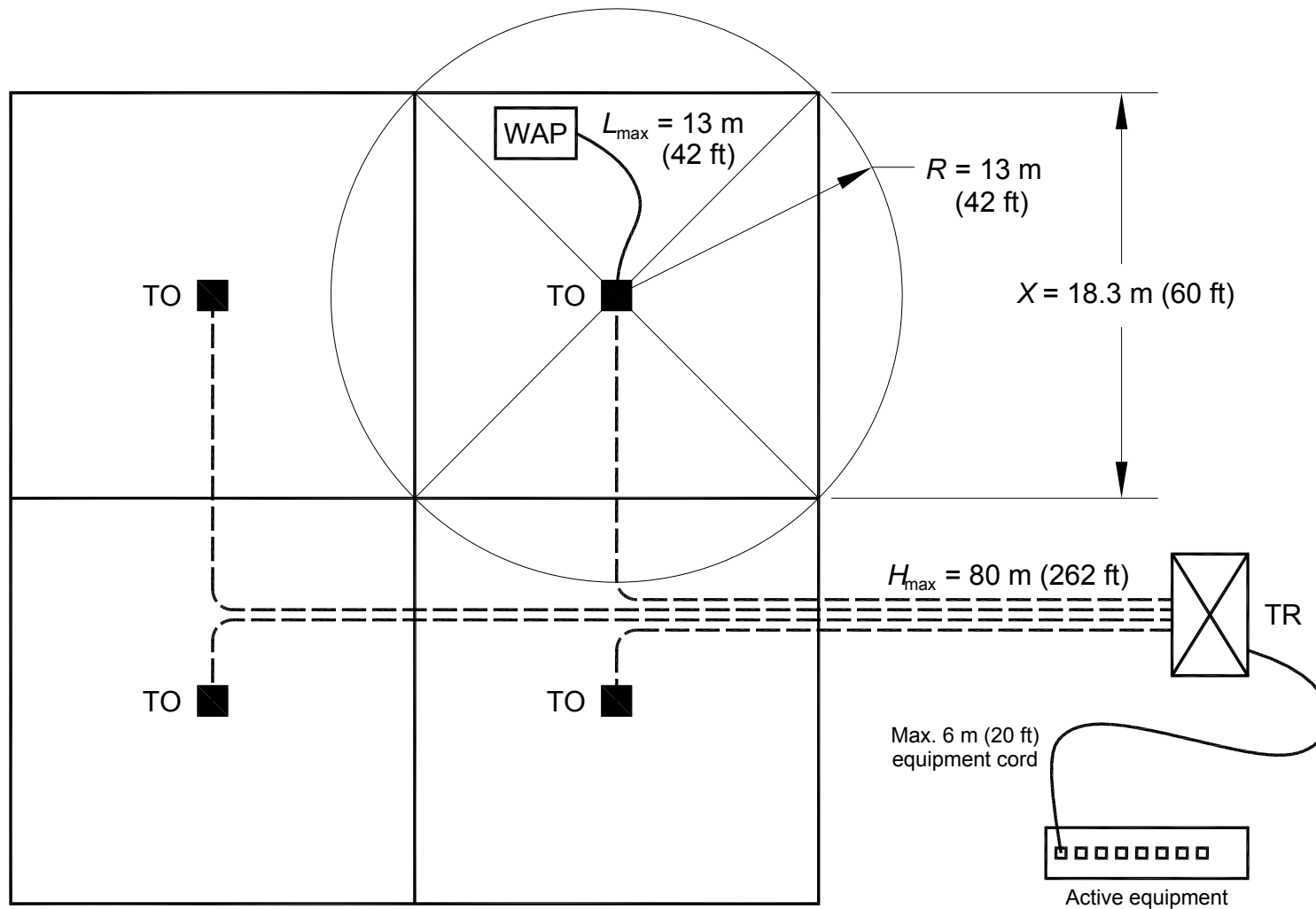
TIA/TSB-162-A – Cabling Guidelines WAPs

- Scope

- TSB to provides guidelines on the topology, design, installation, and testing of telecommunications cabling infrastructure, in compliance with ANSI/TIA-568-C.0 and ANSI/TIA 569 C, for supporting wireless local area networks (WLAN).

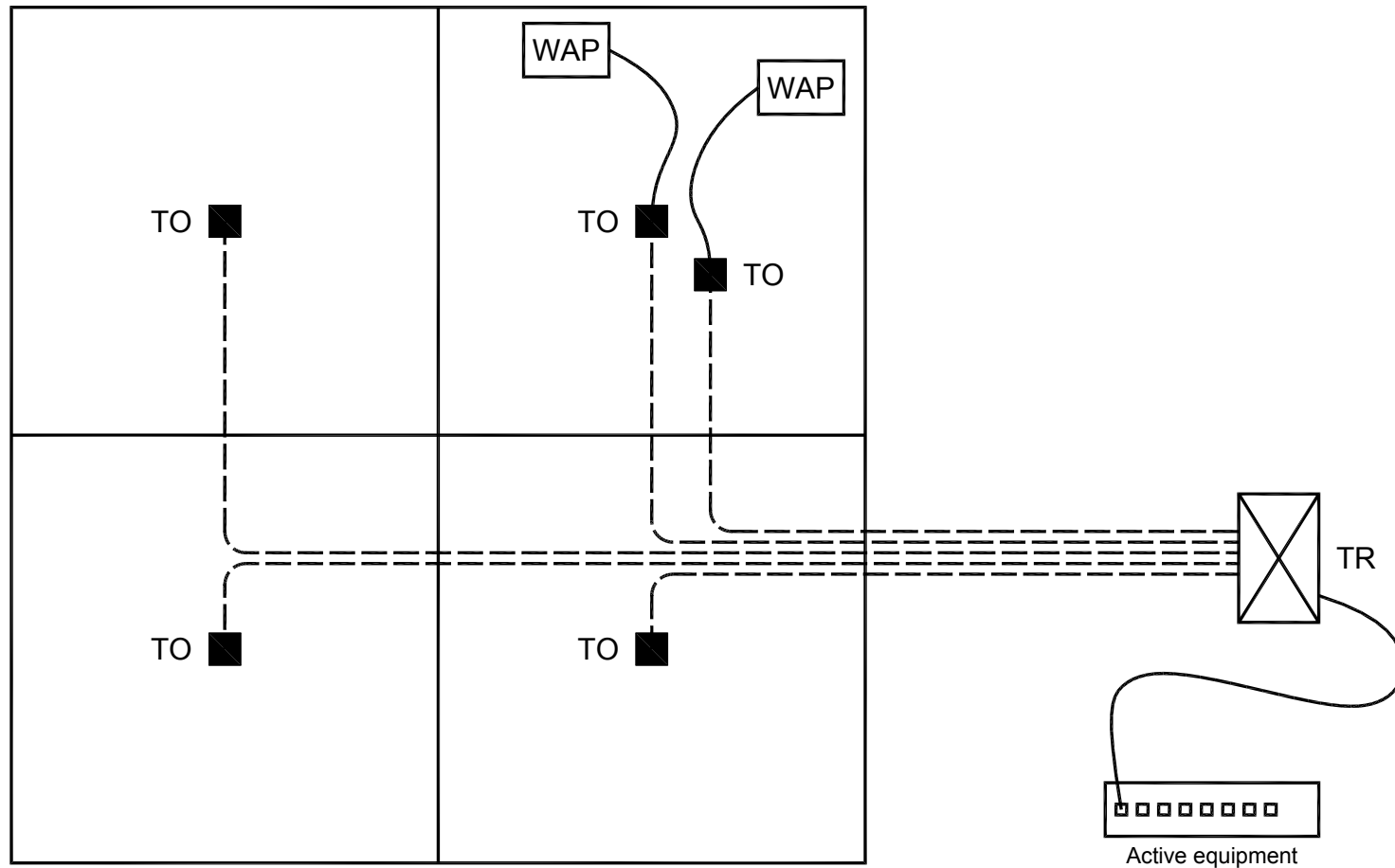
- The TSB includes the cabling between local area network (LAN) equipment and wireless access points including pathways and spaces to support the cabling and wireless access points.

TIA/TSB-162-A – Cabling Guidelines WAPs



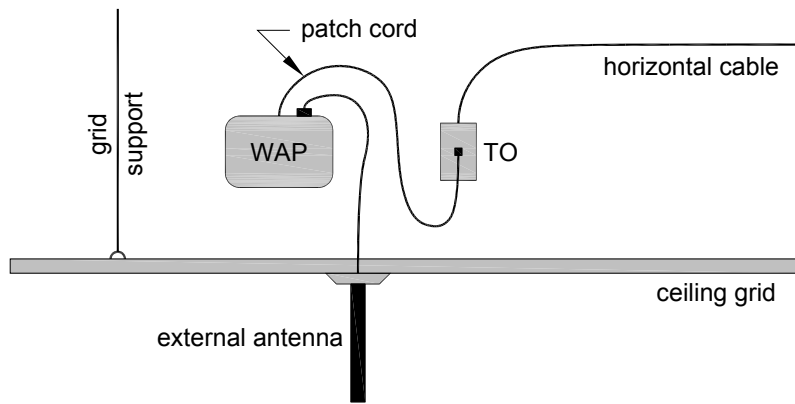
WAP cell

TIA/TSB-162-A – Cabling Guidelines WAPs

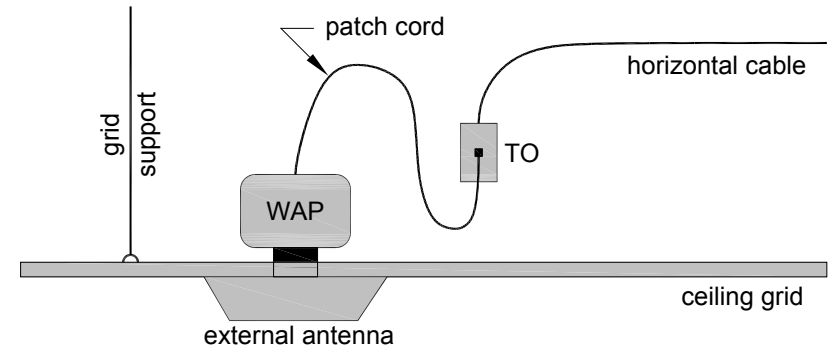


Additional TO and wireless access point in cell

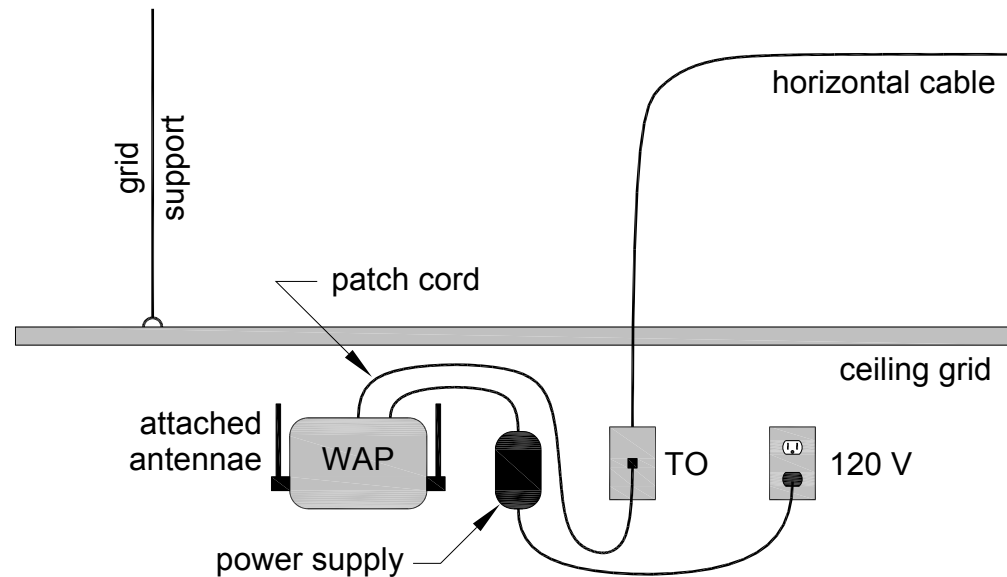
TIA/TSB-162-A – Cabling Guidelines WAPs



WAP wall-mount above drop ceiling

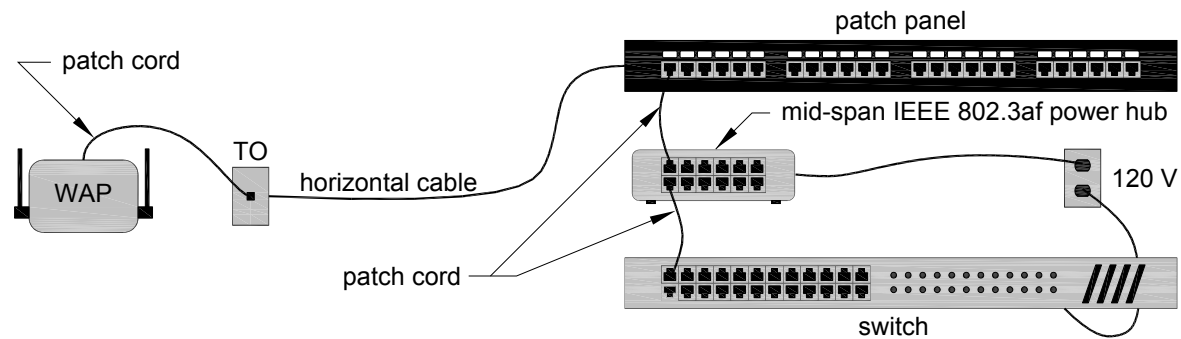
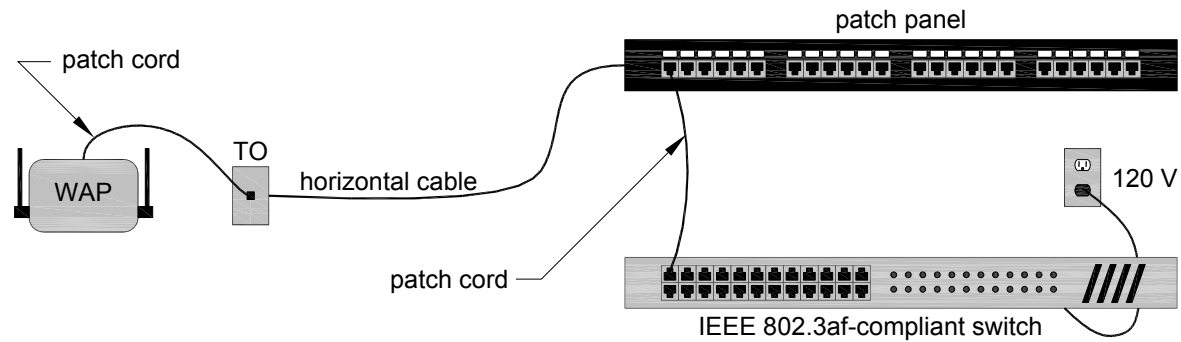


WAP in ceiling grid



WAP wall-mount below drop ceiling

TIA/TSB-162-A – Cabling Guidelines WAPs

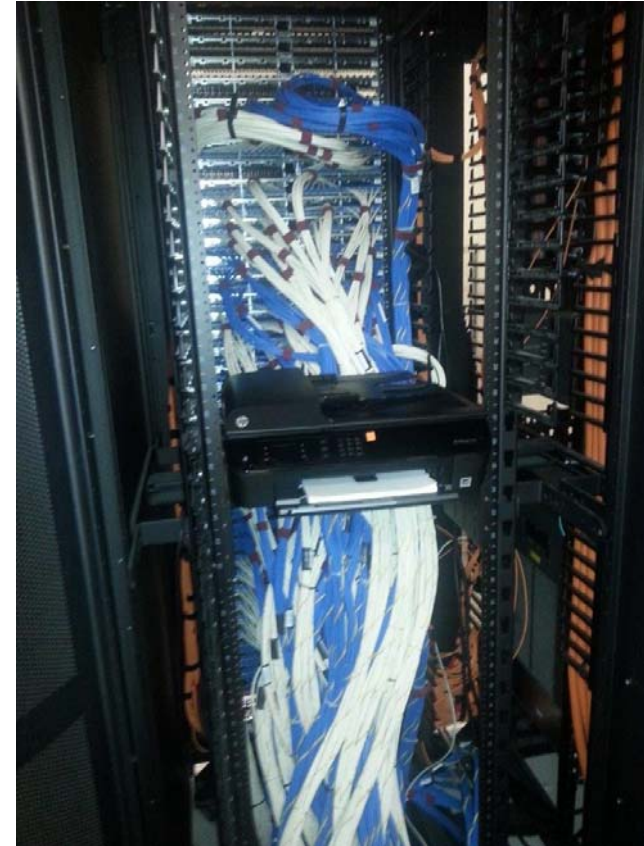
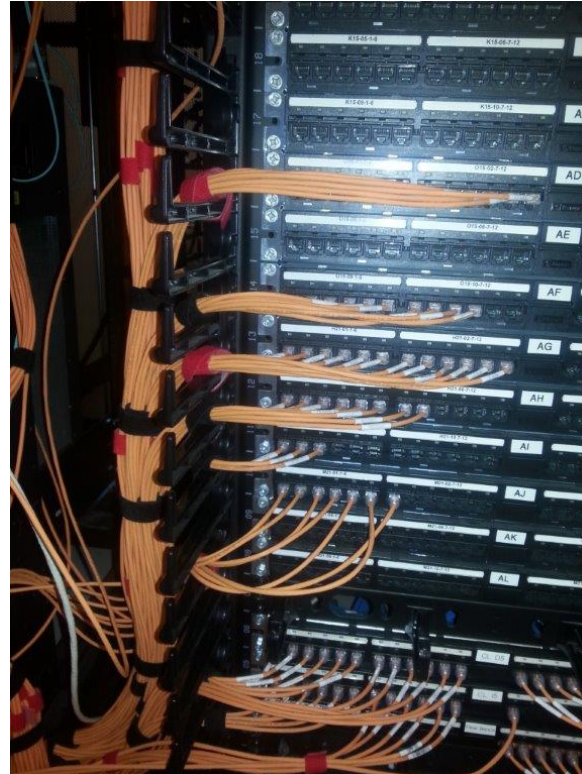
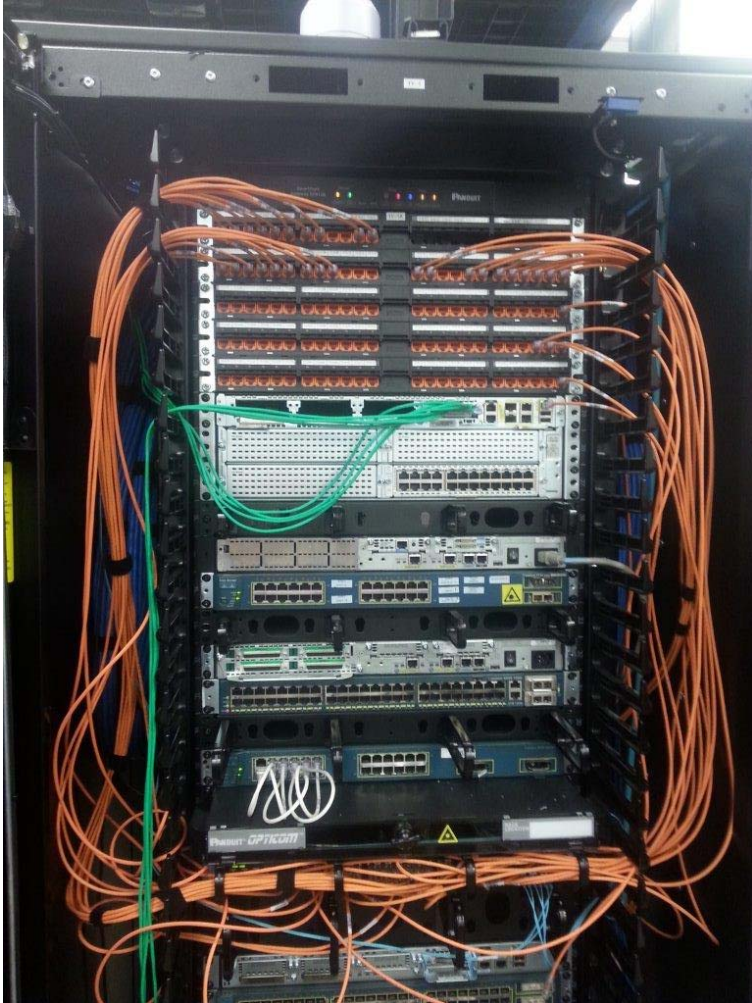


Wireless access point with remote power

Deployment configurations – WAPs



Deployment configurations



Summary

- Consider WAP cabling guidelines as basis for WAP cabling deployment configurations