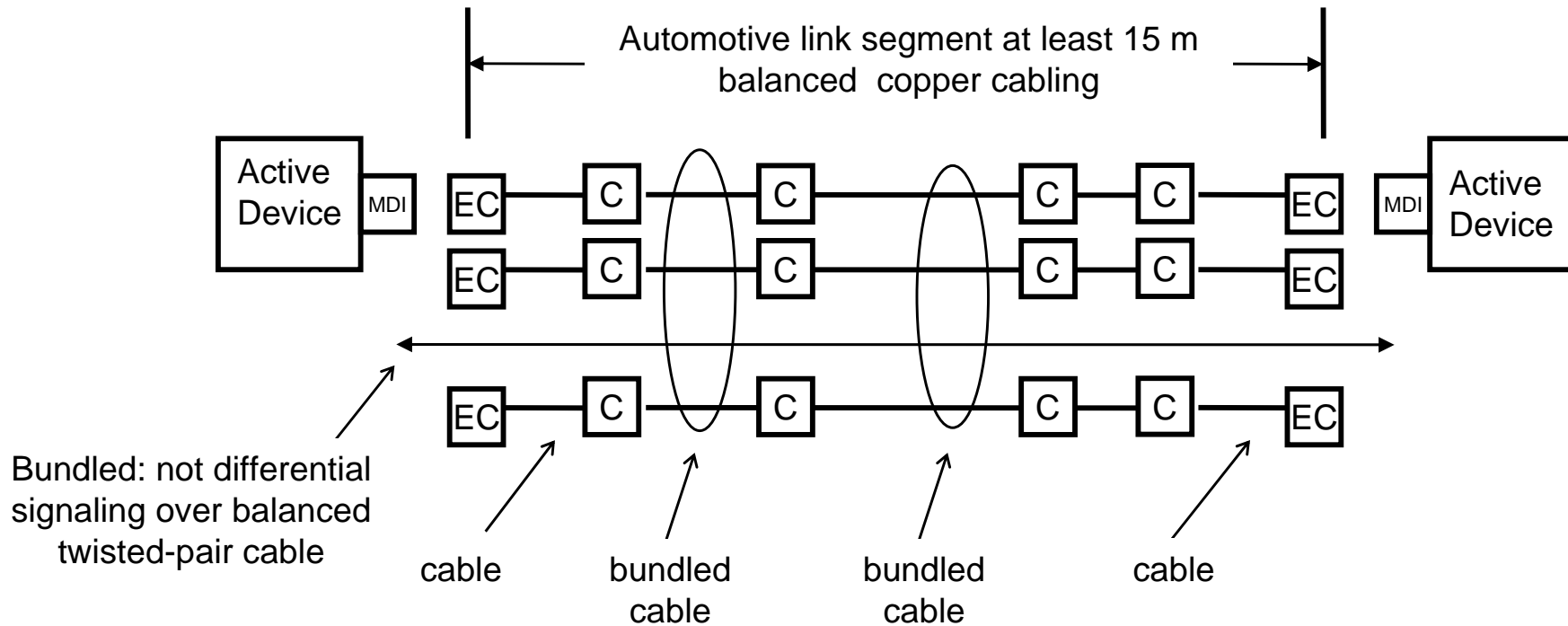

Reduced Twisted Pair Gigabit Ethernet SG link segments

**Chris DiMinico
MC Communications/
LEONI Cables & Systems
cdiminico@ieee.org**

Discussion

- **MDI requirements**
- **In-line connector requirements**
- **Test fixture connector requirements**

Automotive link segment



The IEEE 802.3 nomenclature is bracketed to identify relationship to the IEEE 802.3 definitions.

Length objective [EC] to [EC] at least 15 m
Number of inline connectors [C] = 4

- C = inline connector
- EC = connection to equipment
- MDI = Active electronics connector [Medium dependent interface (MDI)]

Straw polls

- Are there requirements for mechanically compatible in-line connector systems for RTPGE between automobile manufacturers?

Y

N

- Are there requirements for mechanically compatible MDIs

Y

N

- Are there requirements for automotive link segment test fixtures?

Y

N

Test fixtures

- Connector requirements for automotive link segment test fixtures

