



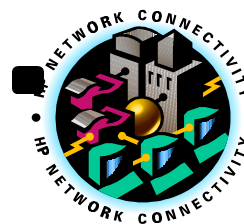
Startup Protocol for 1000BASE-T

*Daniel Dove
HP Workgroup Networks Division*

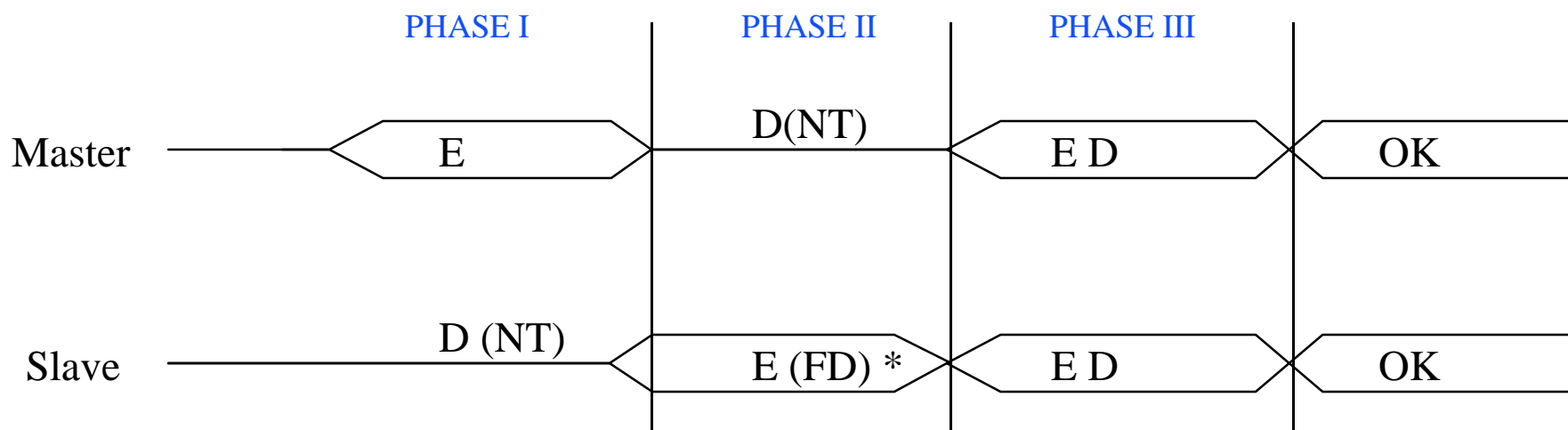


IEEE 802.3AB - Nov 1997

Workgroup
Networks
Division



Original Proposal (Passed 11/11/97)



E = Echo/Next Convergence

D = DFE/Timing Convergence

FD = Freeze DFE

NT = No Timing update (timing may be recovered for DFE convergence)

* Transmit frequency & jitter constrained but not limited to recovered clock



Objectives of this proposal

- Find a middle ground that addresses concerns of major startup protocol proponents
 - Allows DFE/Timing recovery in absence of Echo
 - Allows Blind Startup if desired



Where do we go from here?

- Work out the timing details on the reflector
- Simulate the startup protocol for robustness
- Develop the state machine documentation