

# **A 10 Gbps (4 X 3.125 GBd) Transceiver**

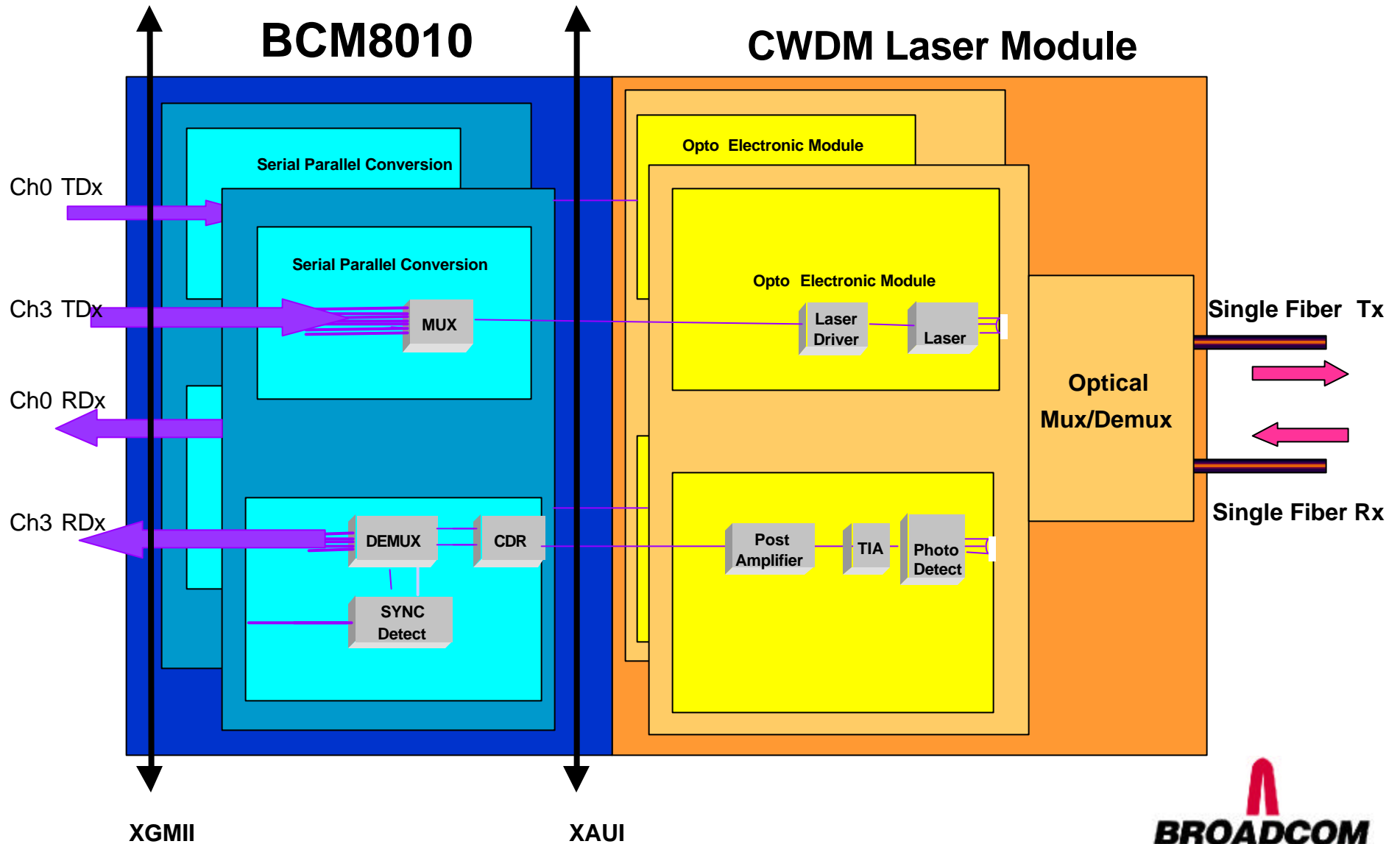
**Fred Mohamadi, Ph.D.  
fm@broadcom.com**

## 4-Channels @ 3.125 GBd

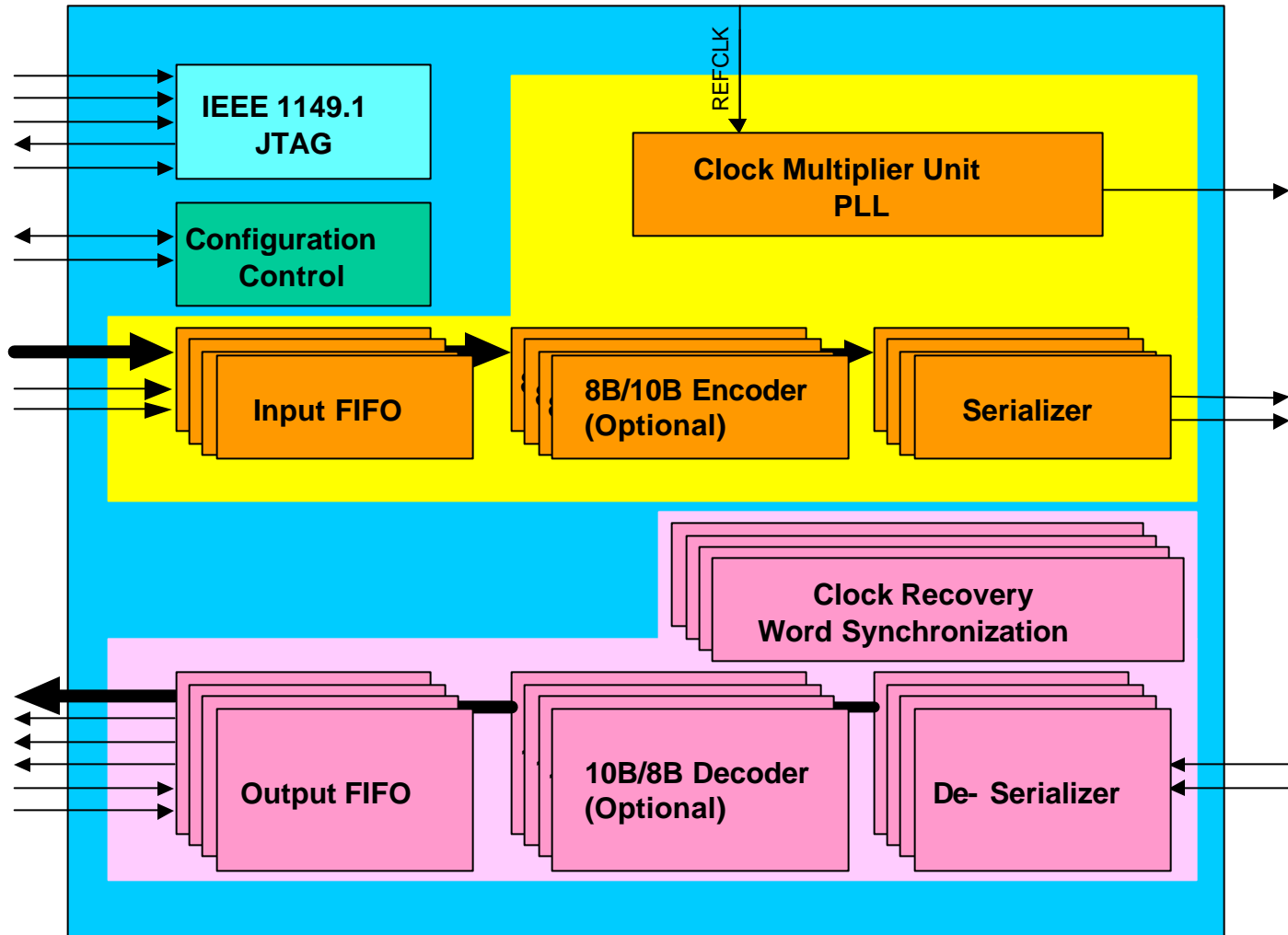
- **Jitter Performance for CMOS Transceiver (<3 pSec)**
  - LC Voltage Controlled Oscillator (LC-VCO) Implemented in Standard CMOS
- **Adaptive Equalizer on Every Channel, Operating Up to 3.125Gbps**
  - Compensates for Signal Attenuation, Cable Imperfections, and Dispersion
  - Enhances Noise Immunity
- **Programmable Speed (1.25 to 3.125 Gbps)**
  - Suitable for a Broad Range of Applications, Media, and Speeds
- **“Channel Aggregation”**
  - De-skewing and Synchronization Feature
  - Can “Trunk” Multiple Channels to Create a Higher Speed Unified Channel
- **Low Cost Standard CMOS Manufacturing Process**



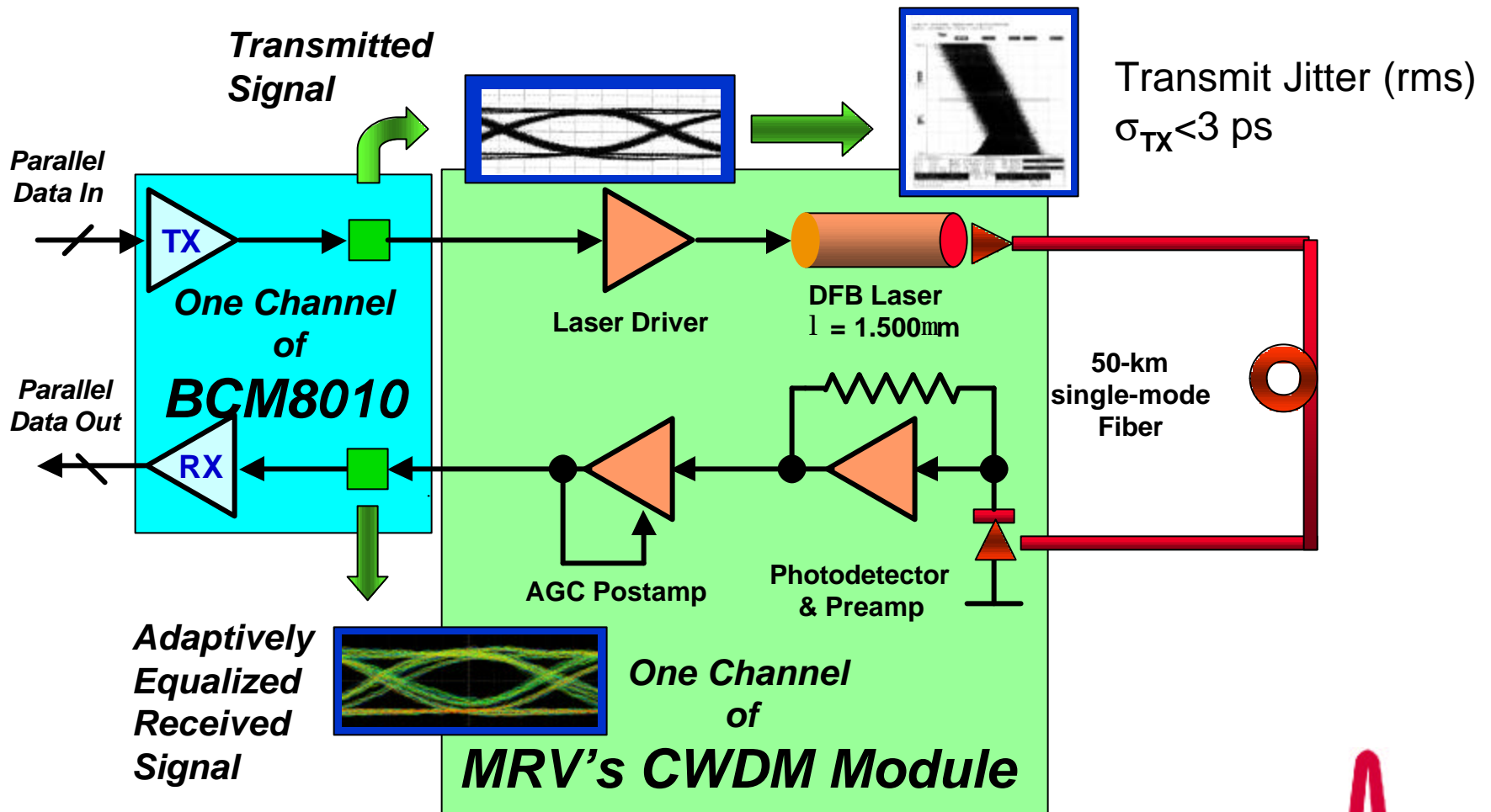
# 10 Gbps WDM Link Solution



# BCM8010 Functional Block Diagram



# CWDM Performance over 50 km of a SMF 1500 nm DFB Laser



# Evaluation Board

