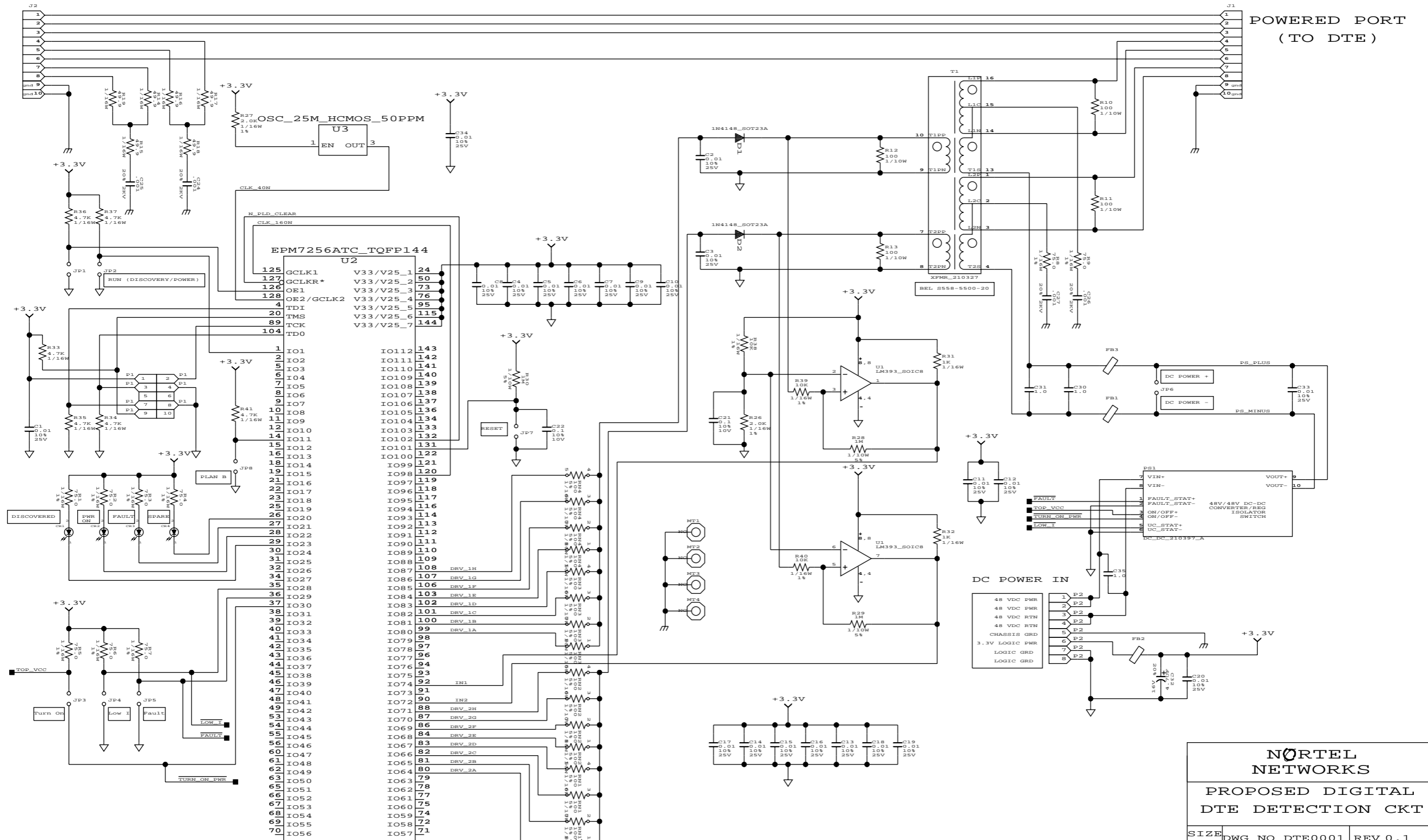


POWERED PORT
(TO DTE)



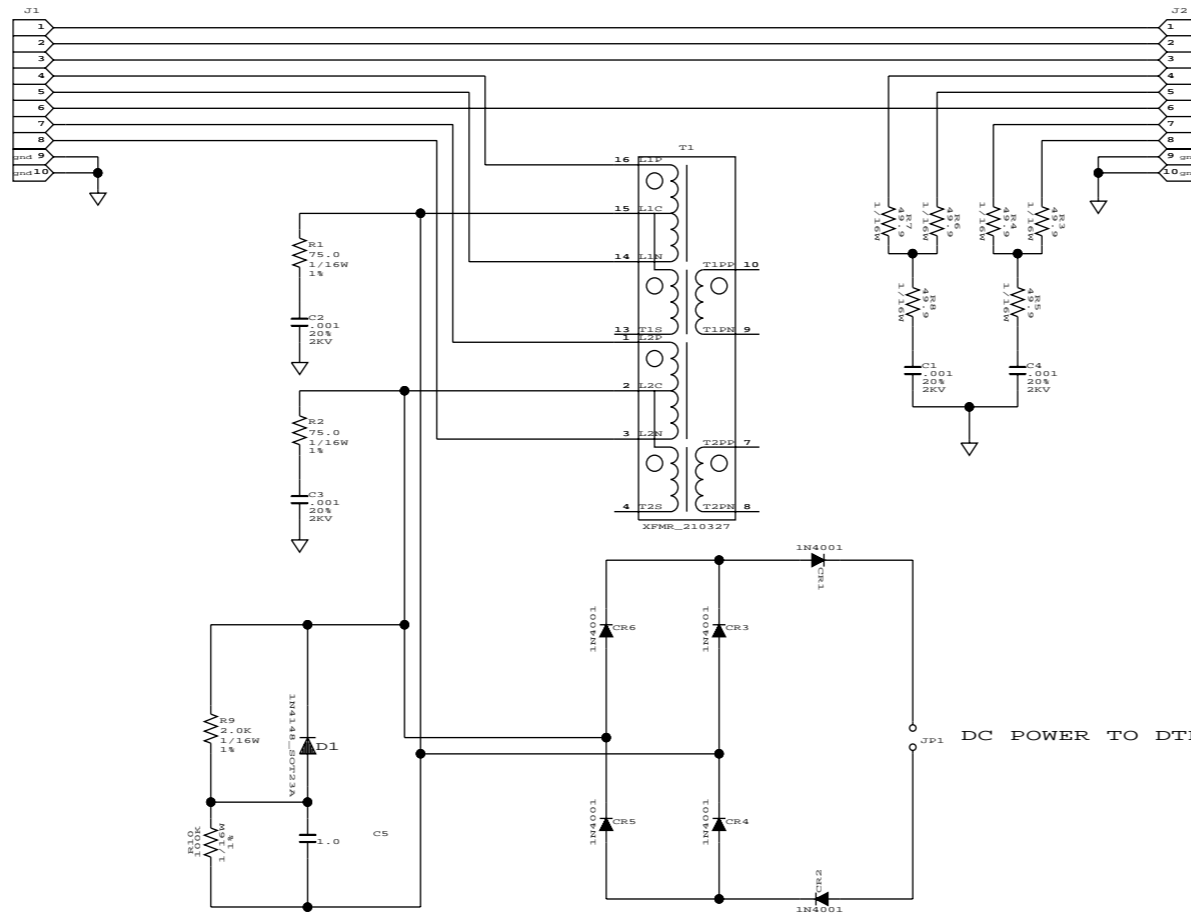
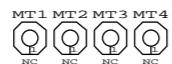
NORTEL NETWORKS
PROPOSED DIGITAL
DTE DETECTION CKT

SIZE	DWG_NO	DTE0001	REV	0.1
D				
ENG REV		SHEET	OF	1

FROM POWERING DCE

SIGNAL PASSTHROUGH

DC POWER TO DTE DEVICE



NORTEL NETWORKS

DTE END DEMO

SIZE	DWG_NO	DTEDEMO	REV
D			

ENG REV	SHEET	OF 1