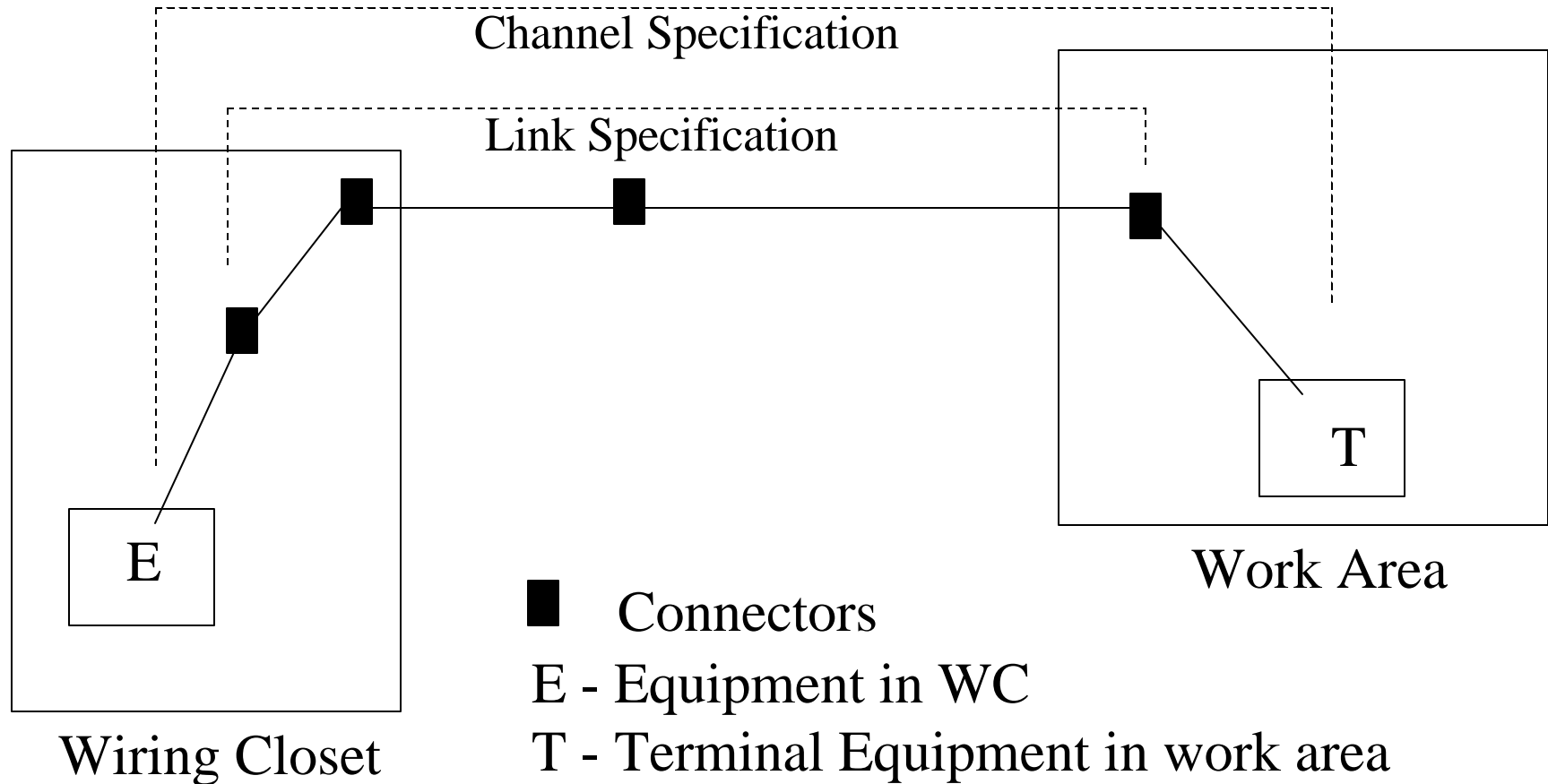


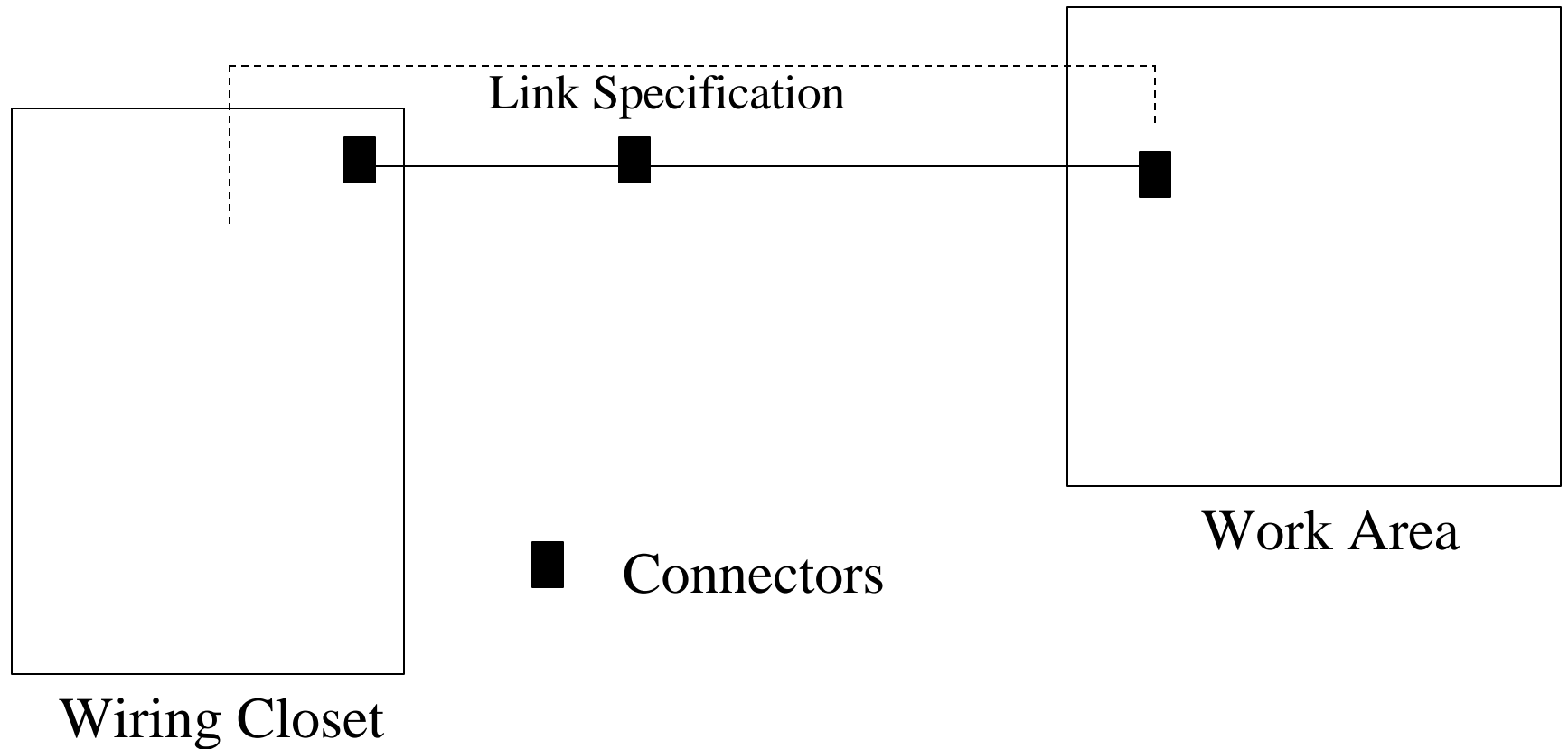
# Mid-Span Insertion and Generic Cabling Standards

Robert D. Love  
LAN Connect Consultants

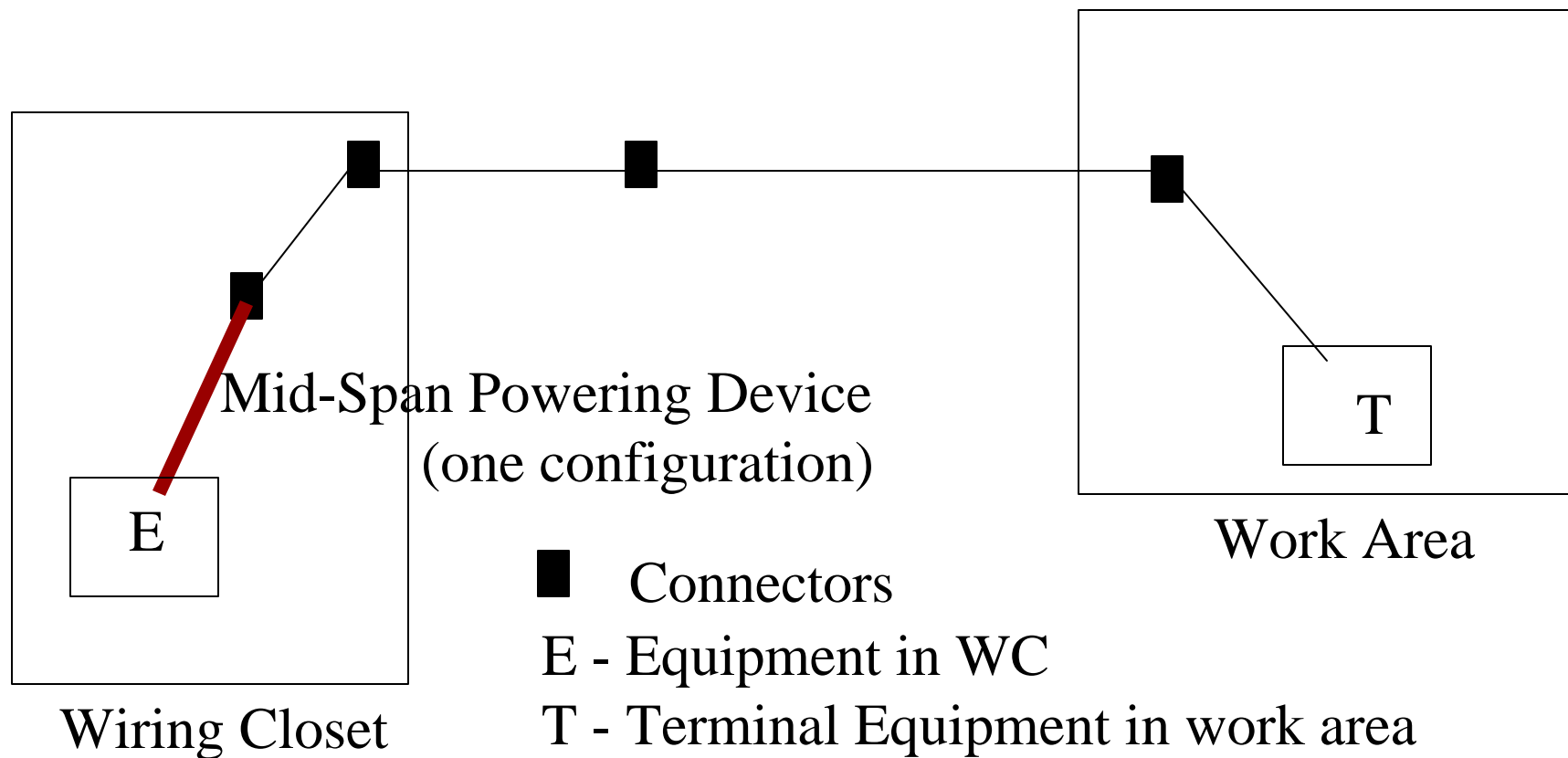
# Assumed Topology (from 568A, Figure 7a)



# Permanent Link



# How does Mid-Span powering affect the model?



# Implications for this configuration

- Mid-Span powering device must “look like” a patch cord
- Device “looks like” a pregnant snake, i.e. no additional connectors compared to model.
- Quantitative Criteria required for allowable device parameters

# No multiple applications per 4-pair

- Powering unused pair is an additional application
- Common mode to Differential mode conversion from powering circuitry could be harmful to signal stream
- Criteria must be established for allowable noise

# How do we show Mid-Span Powering adheres to Assumptions

- Establish test criteria for verifying performance is not degraded
  - Measure all the usual patch cord electrical parameters.
  - In addition, identify transmission performance parameters for verifying that performance is not degraded
  - Establish noise limits from powering circuitry.