

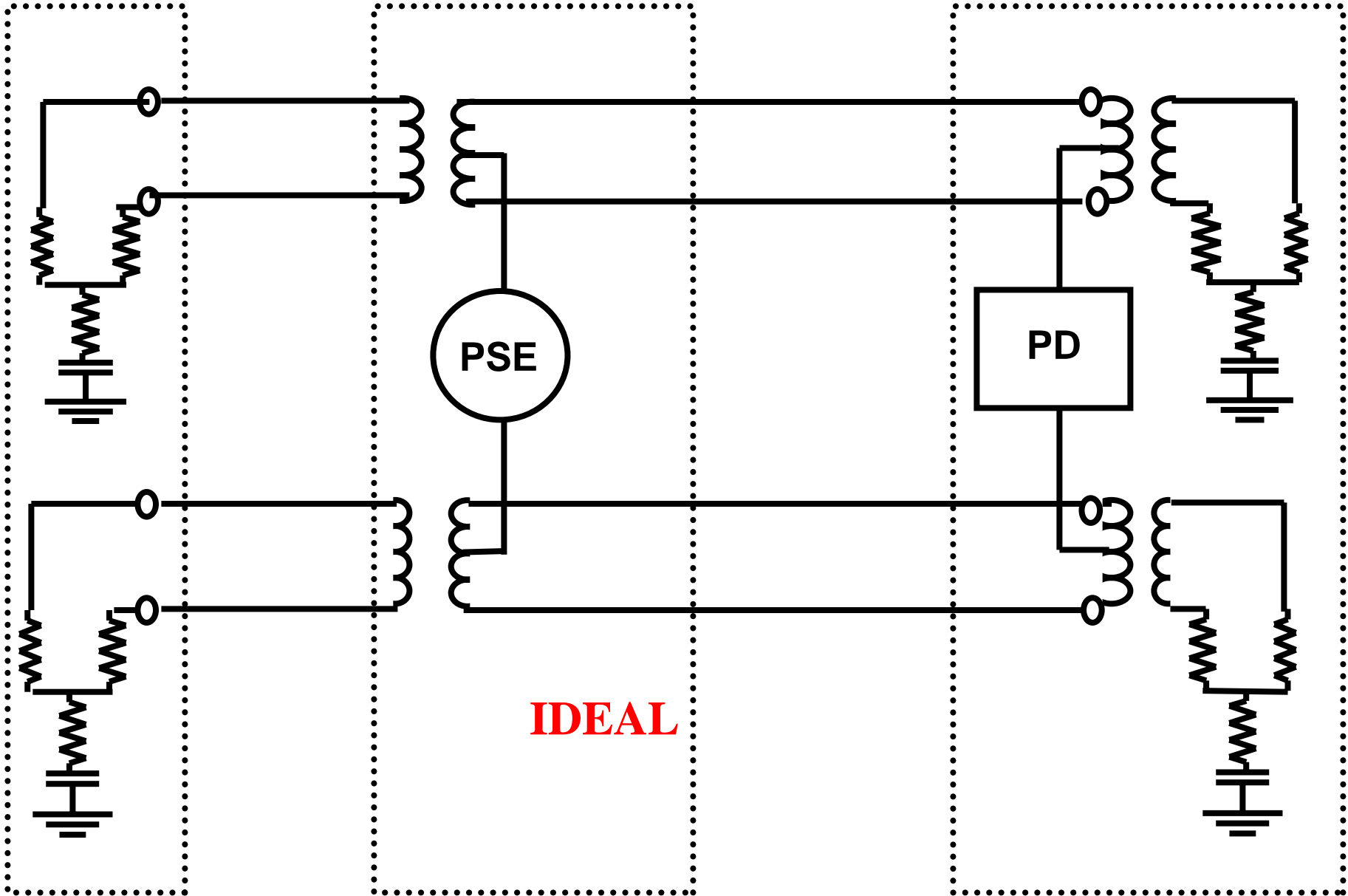
# Mid-span Terminations

Terry Cobb

*Equipment*

*Mid-Span*

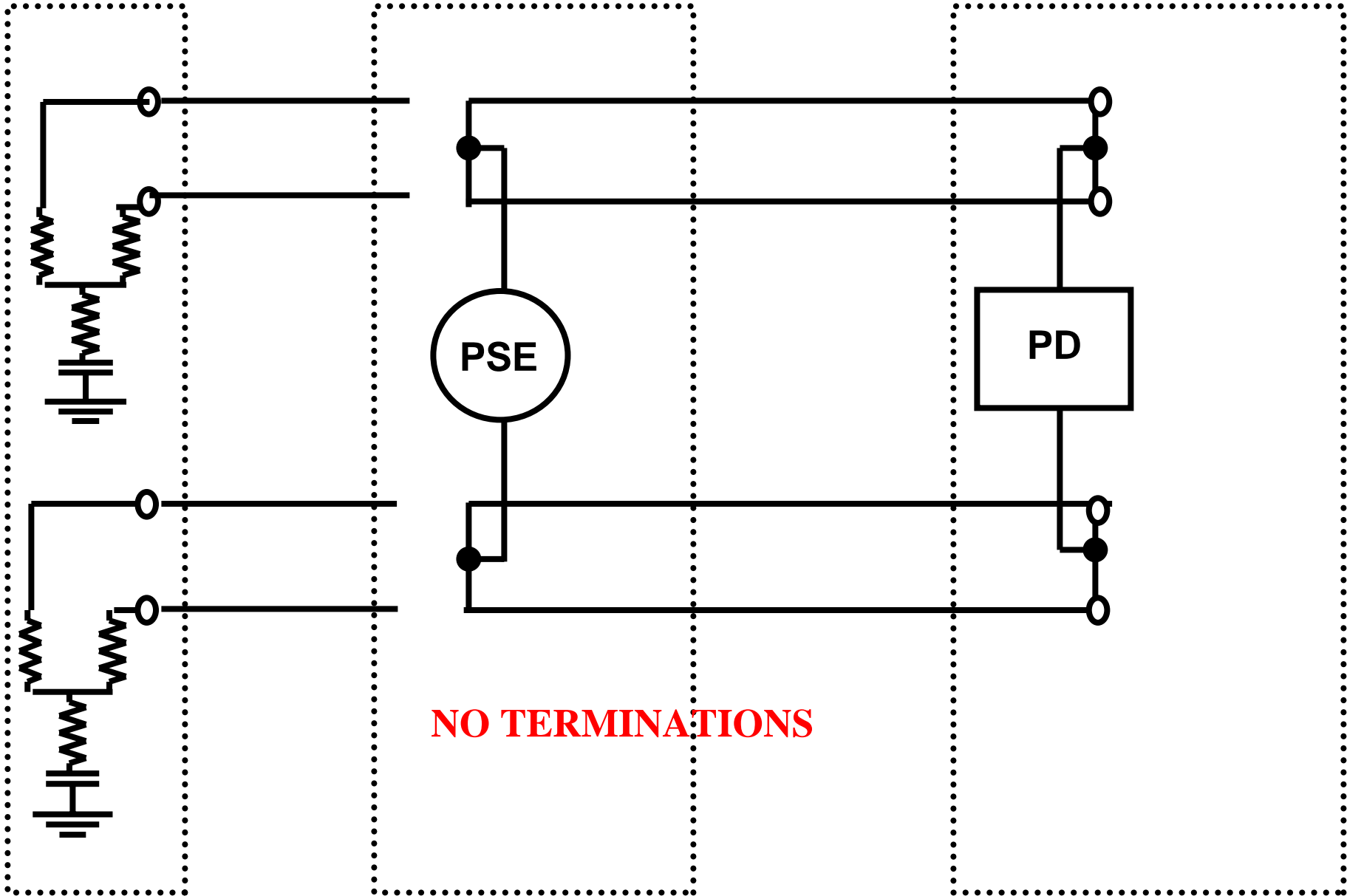
*Terminal*



*Equipment*

*Mid-Span*

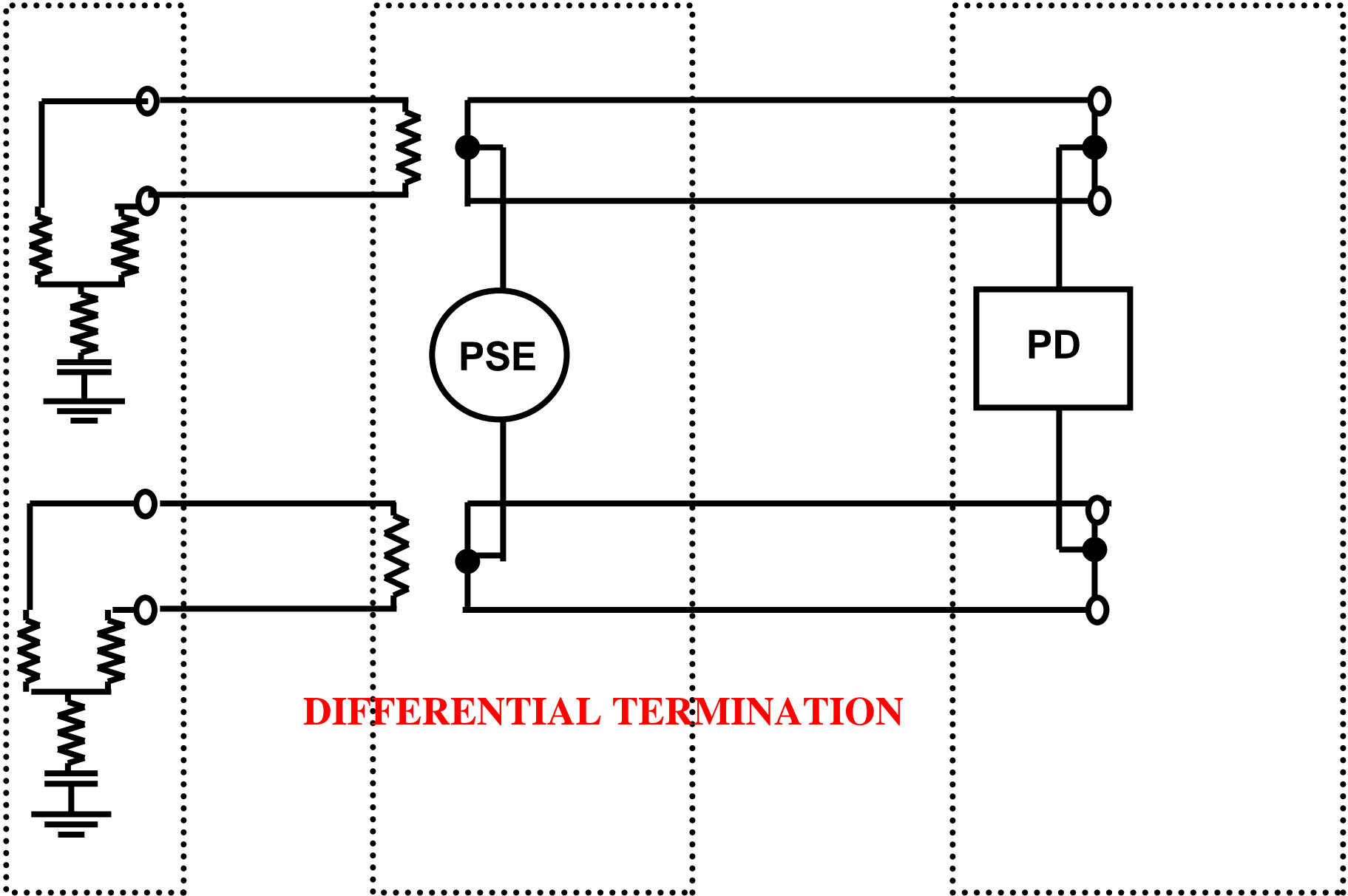
*Terminal*



*Equipment*

*Mid-Span*

*Terminal*

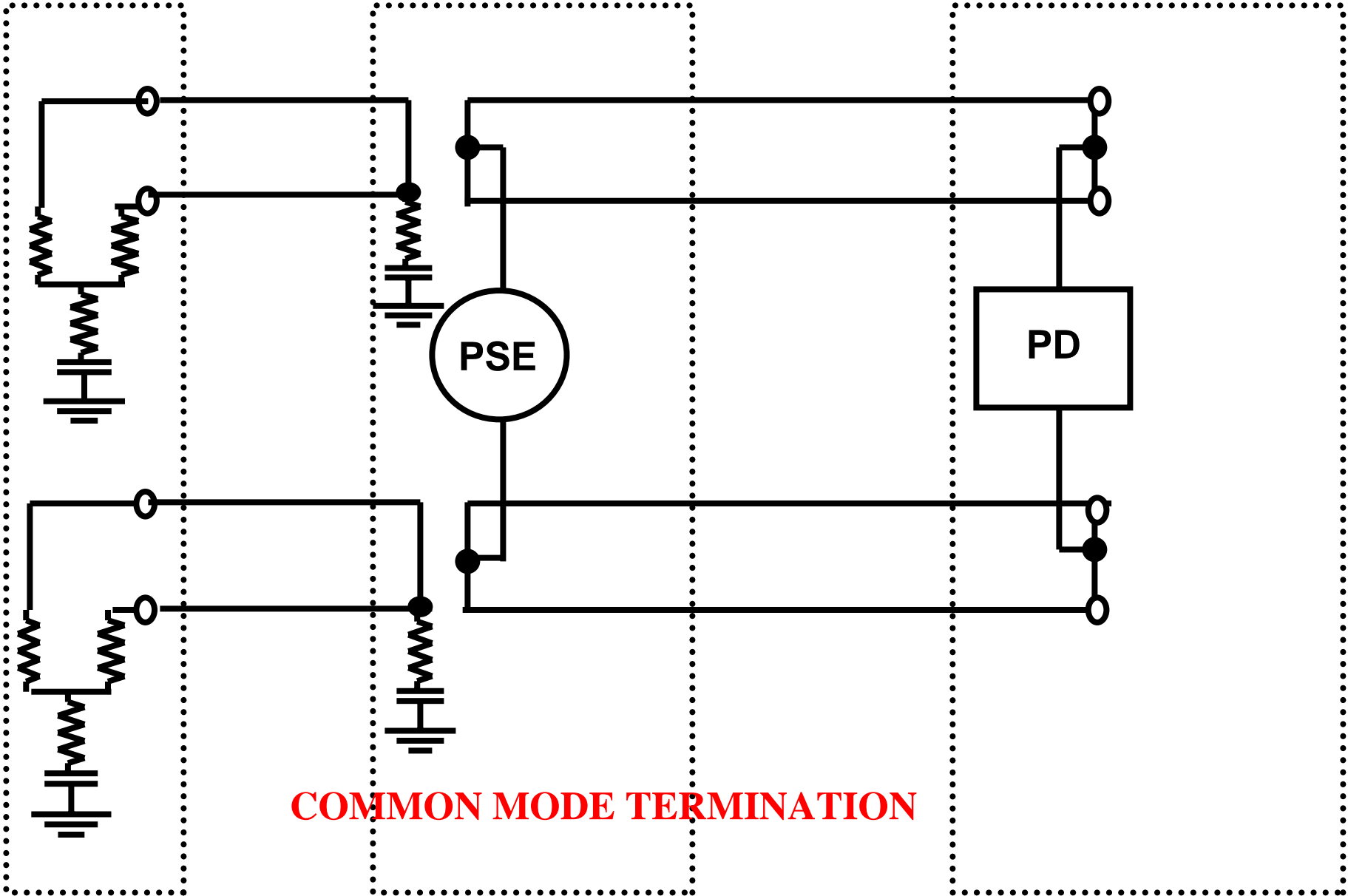


**DIFFERENTIAL TERMINATION**

*Equipment*

*Mid-Span*

*Terminal*

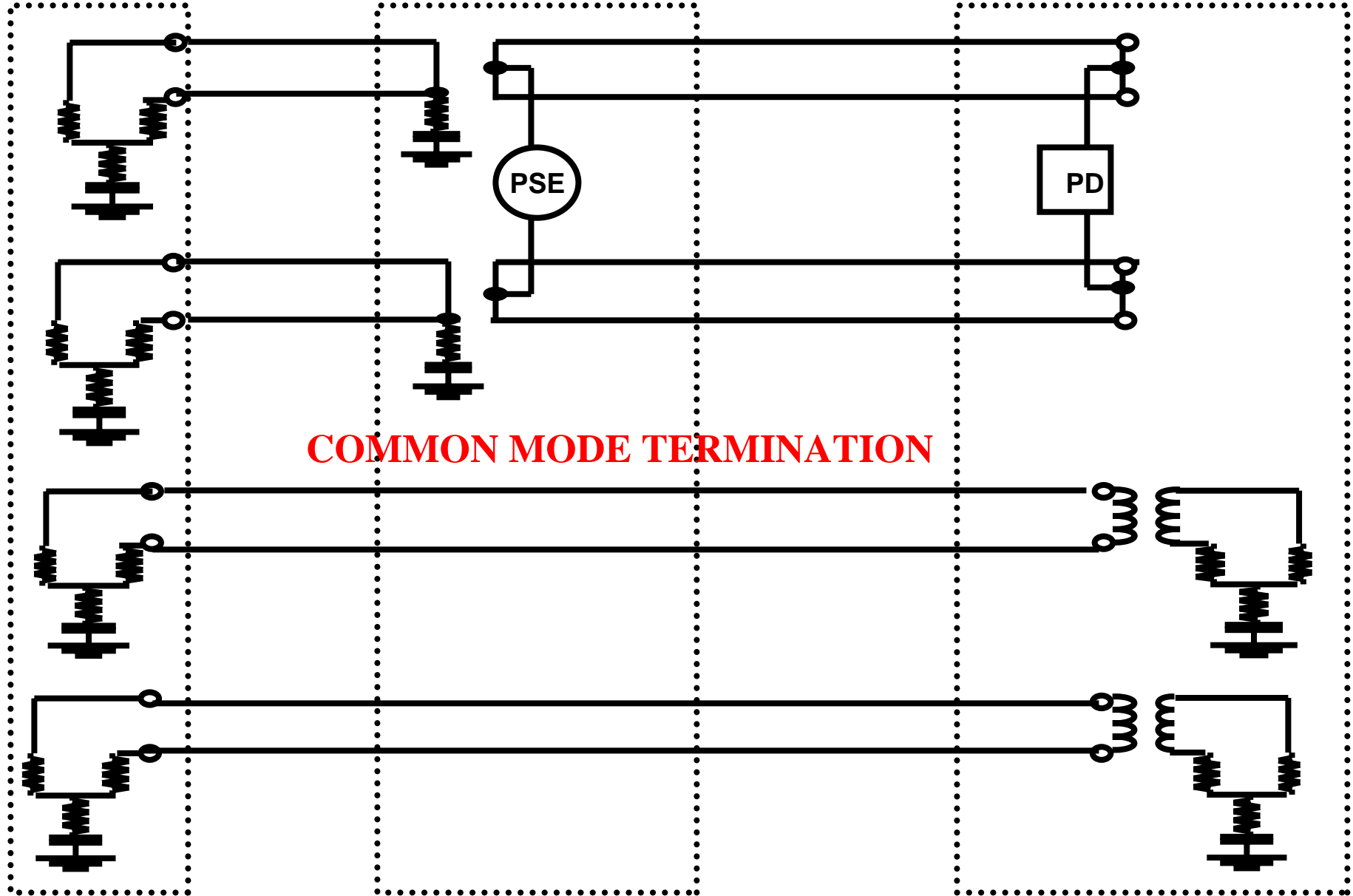


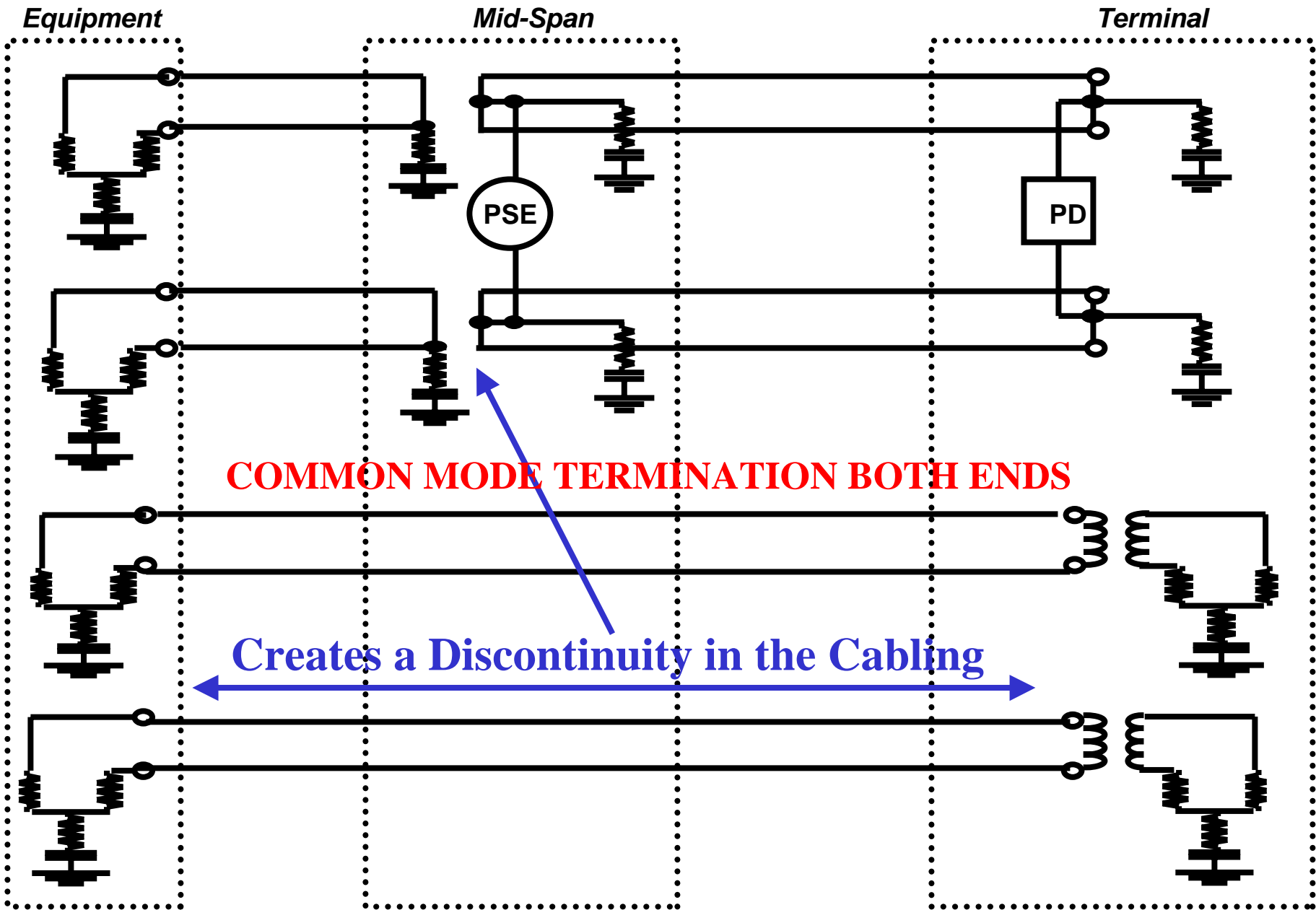
**COMMON MODE TERMINATION**

*Equipment*

*Mid-Span*

*Terminal*

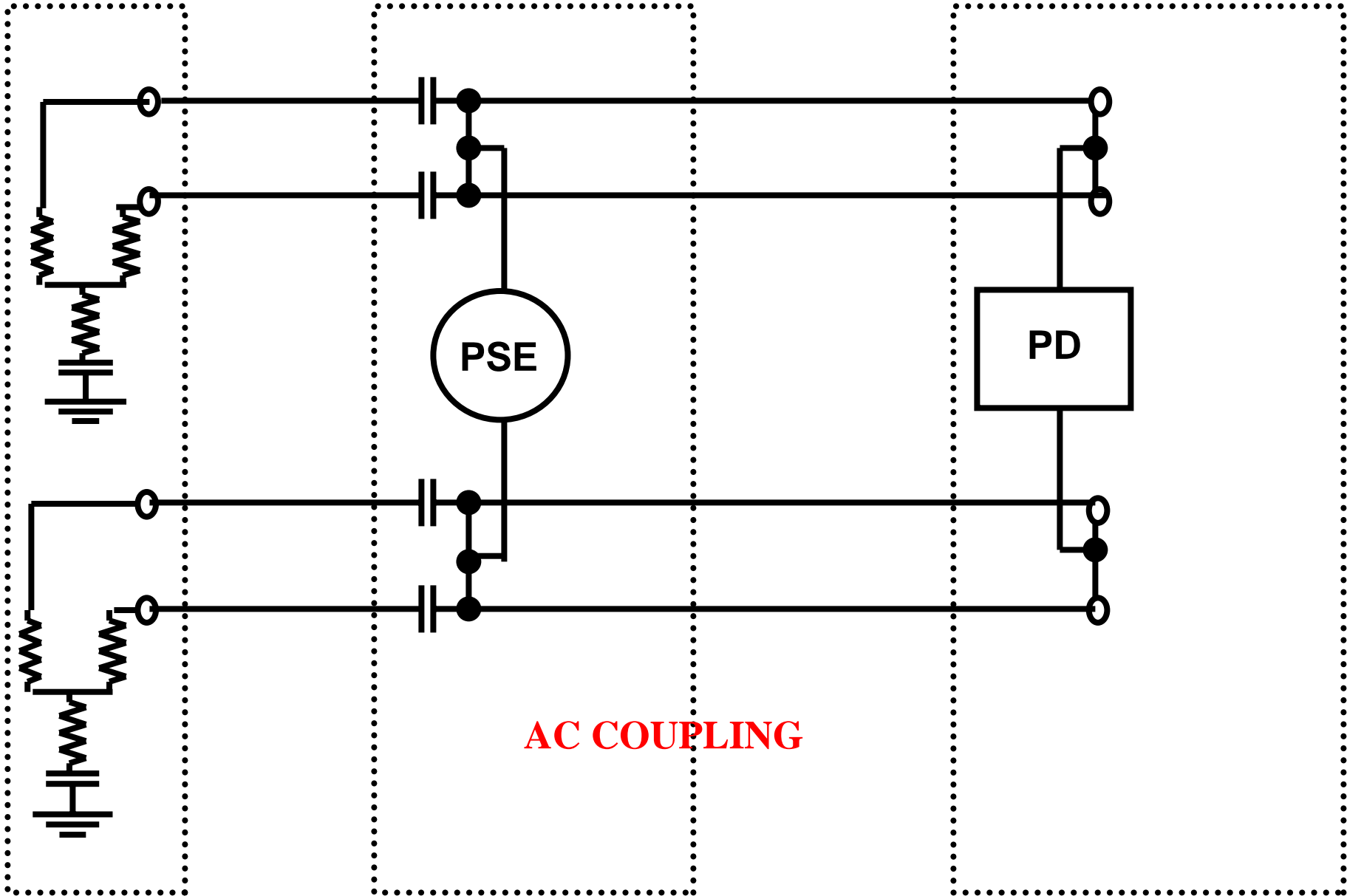




*Equipment*

*Mid-Span*

*Terminal*



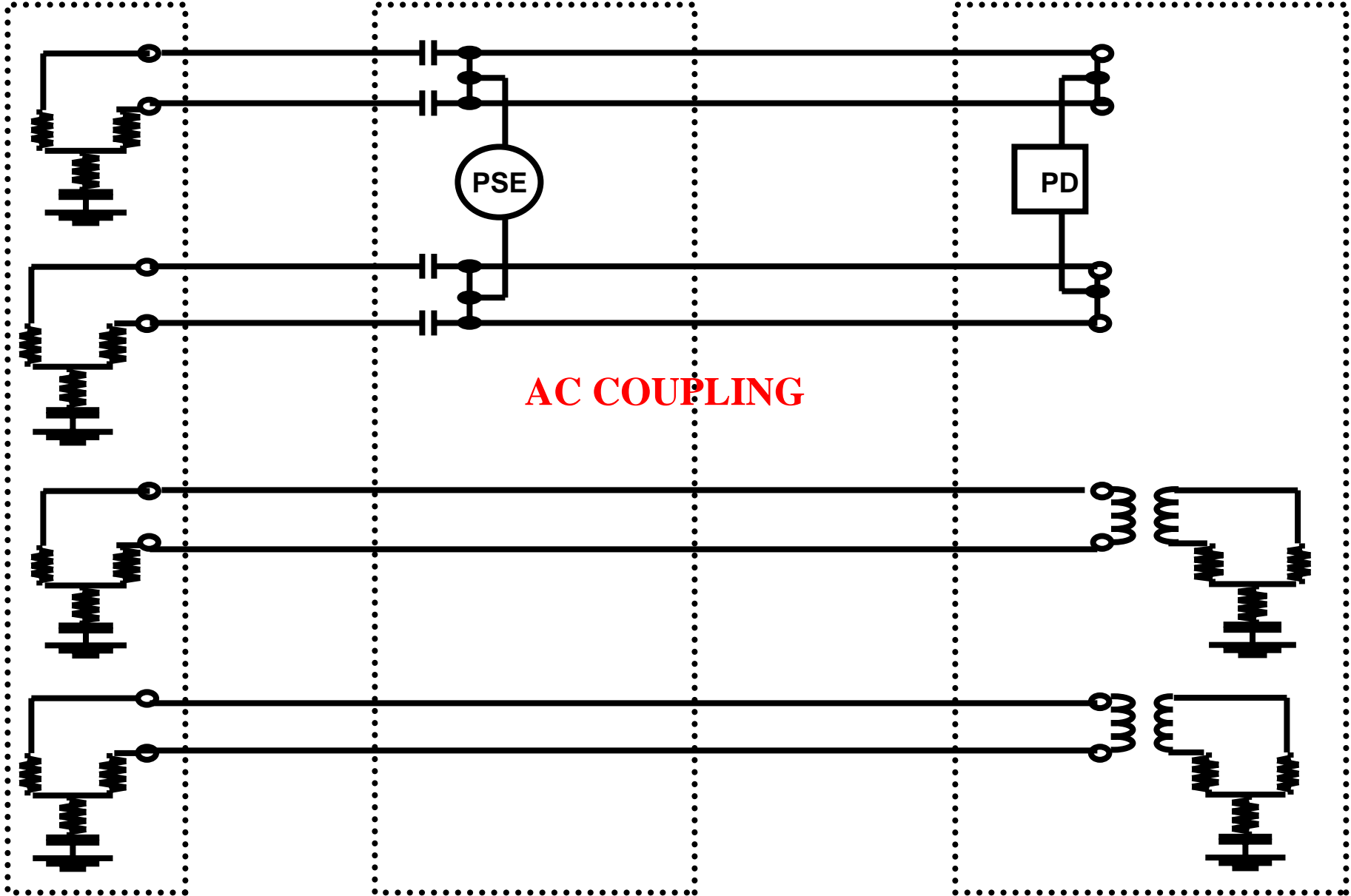
**AC COUPLING**



*Equipment*

*Mid-Span*

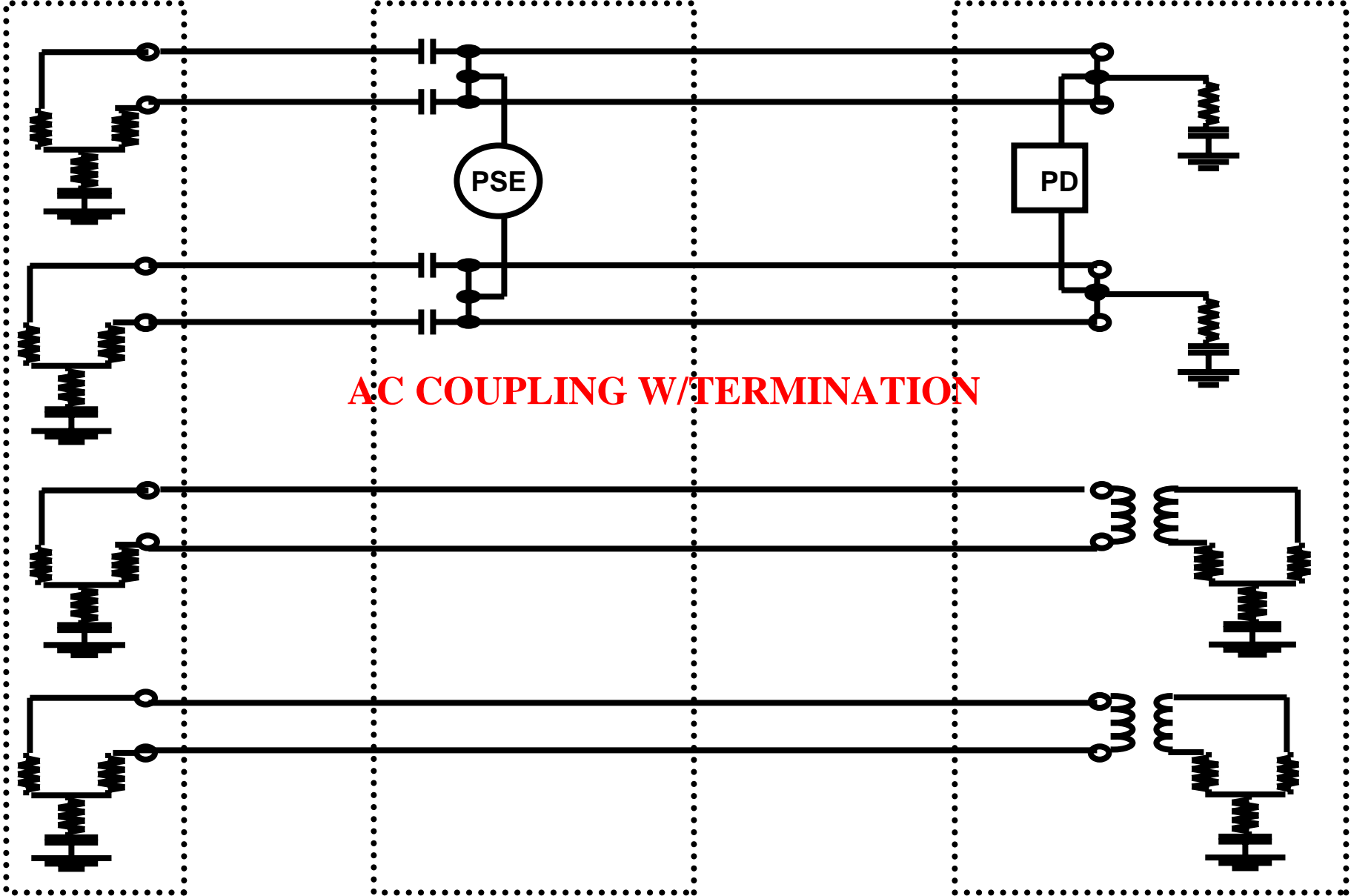
*Terminal*



*Equipment*

*Mid-Span*

*Terminal*

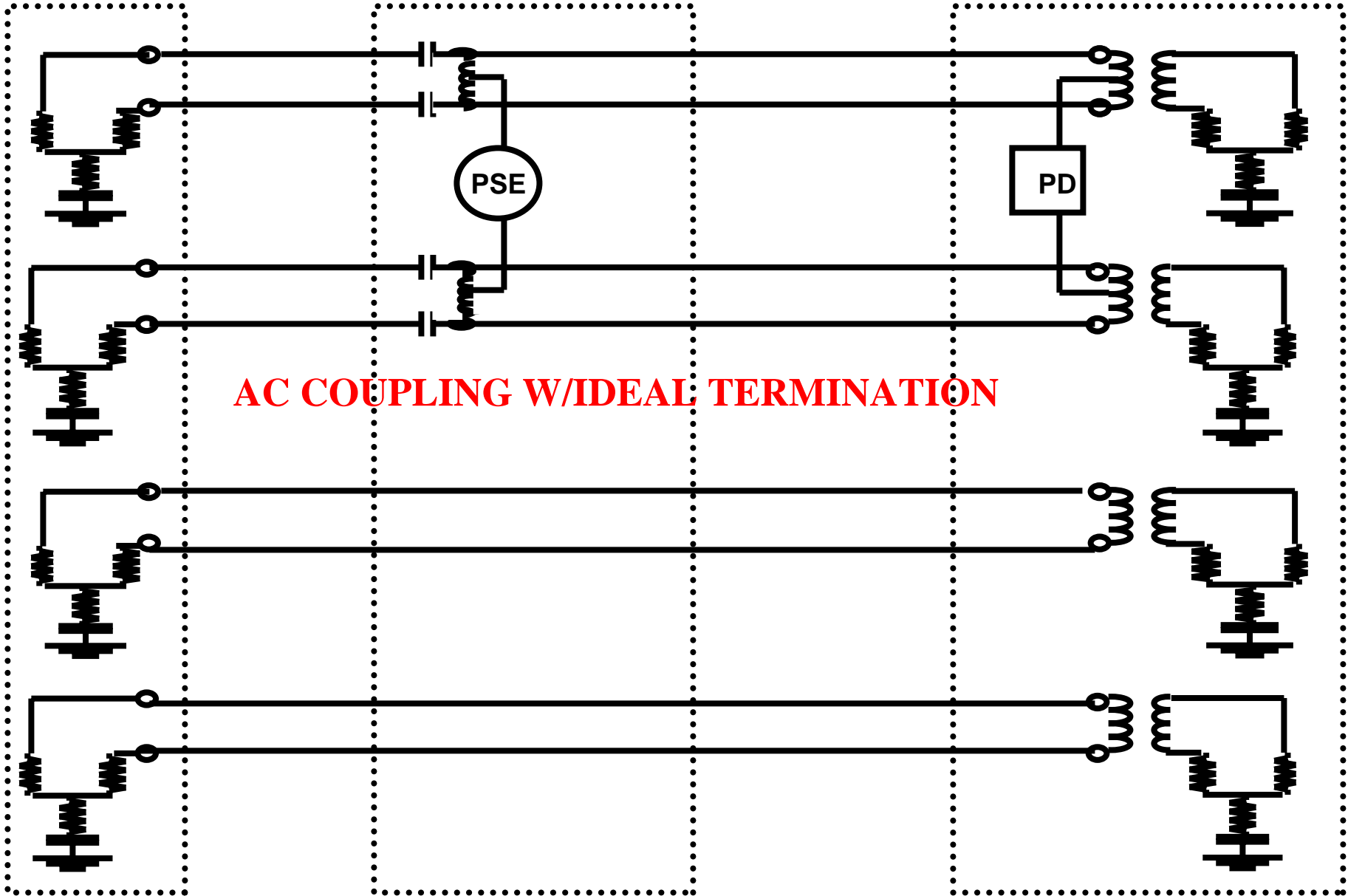


**AC COUPLING W/TERMINATION**

*Equipment*

*Mid-Span*

*Terminal*



# Recommend AC Coupling