

Broadcom Corporation

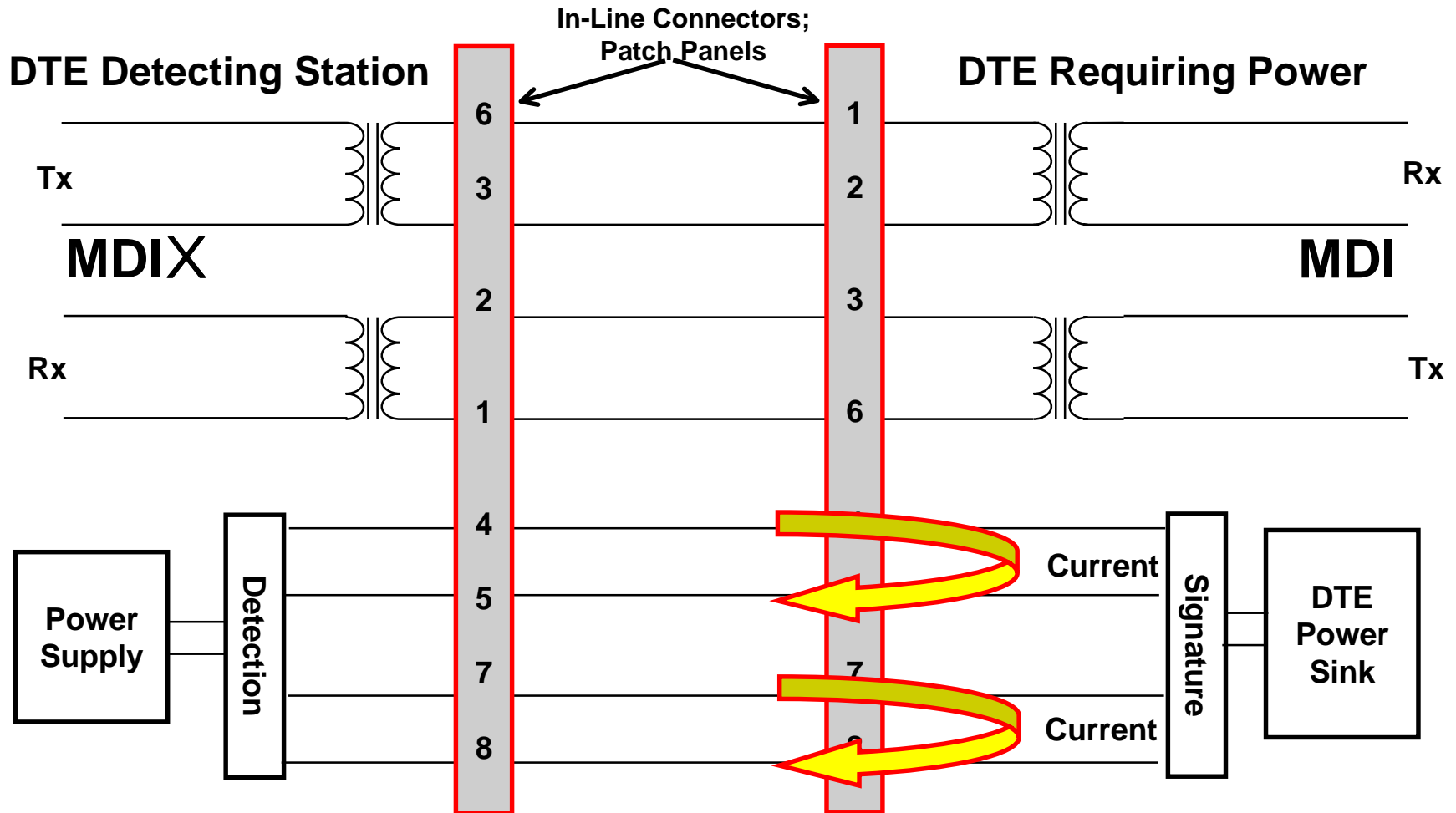
DTE Power via MDI

*Considerations of
Mid-Span Power Insertion*

March- 2000

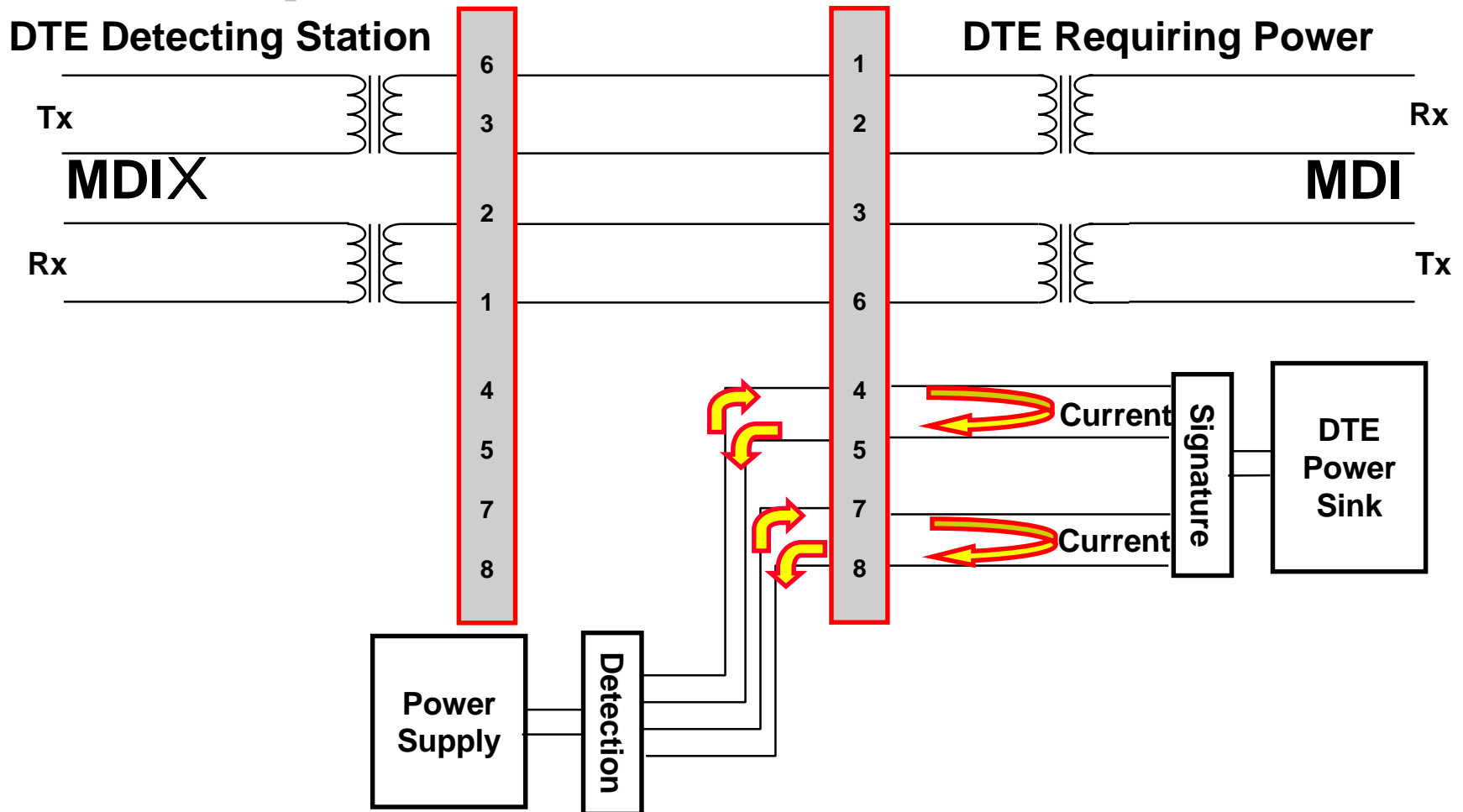


Spare Pair Power Scheme



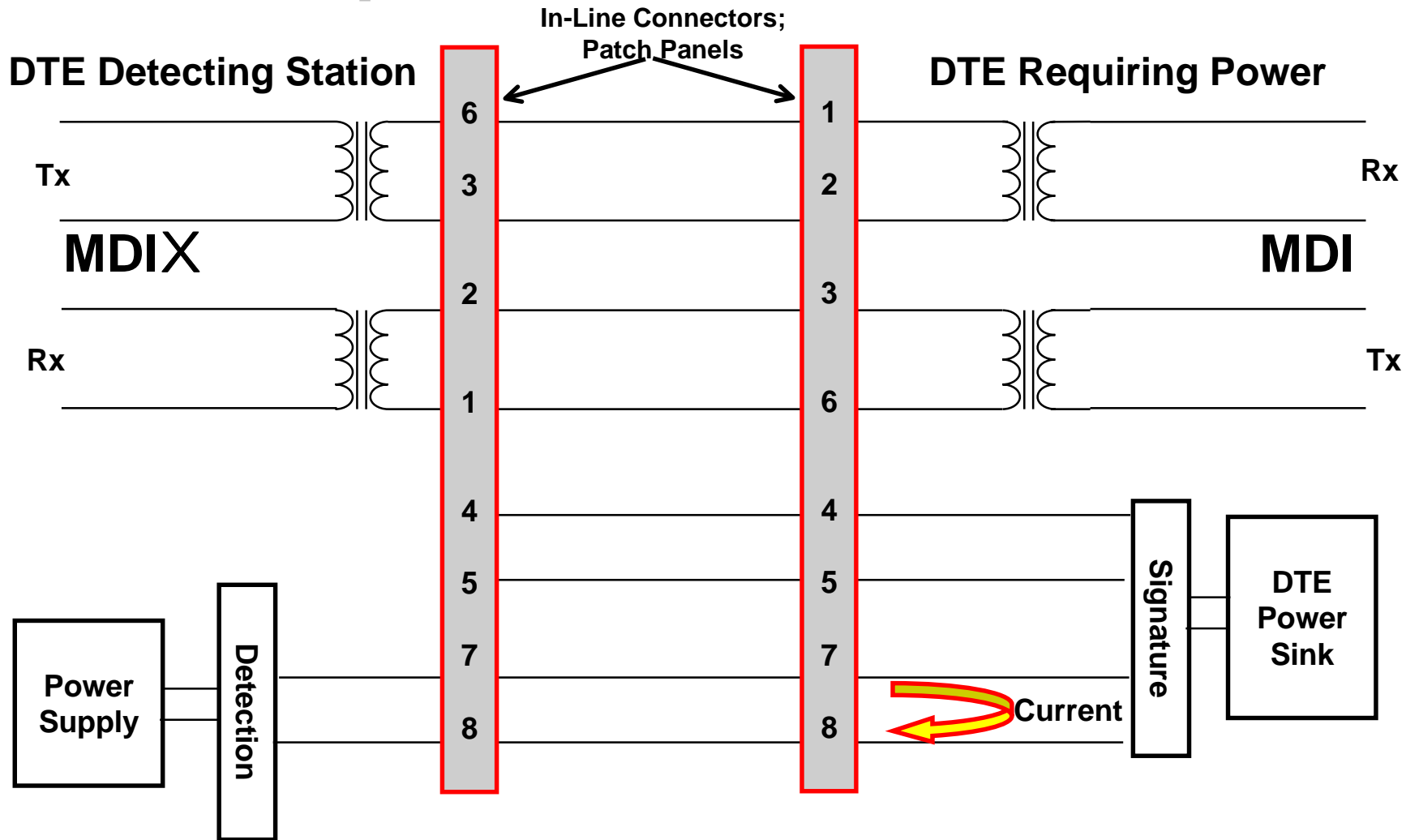
***Incompatible with 1000BASE-T;
no upgrade path***

Mid-Span Power Insertion Scheme



***Not an End-to-End 4-pair Wiring Infrastructure
Incompatible with 1000BASE-T***

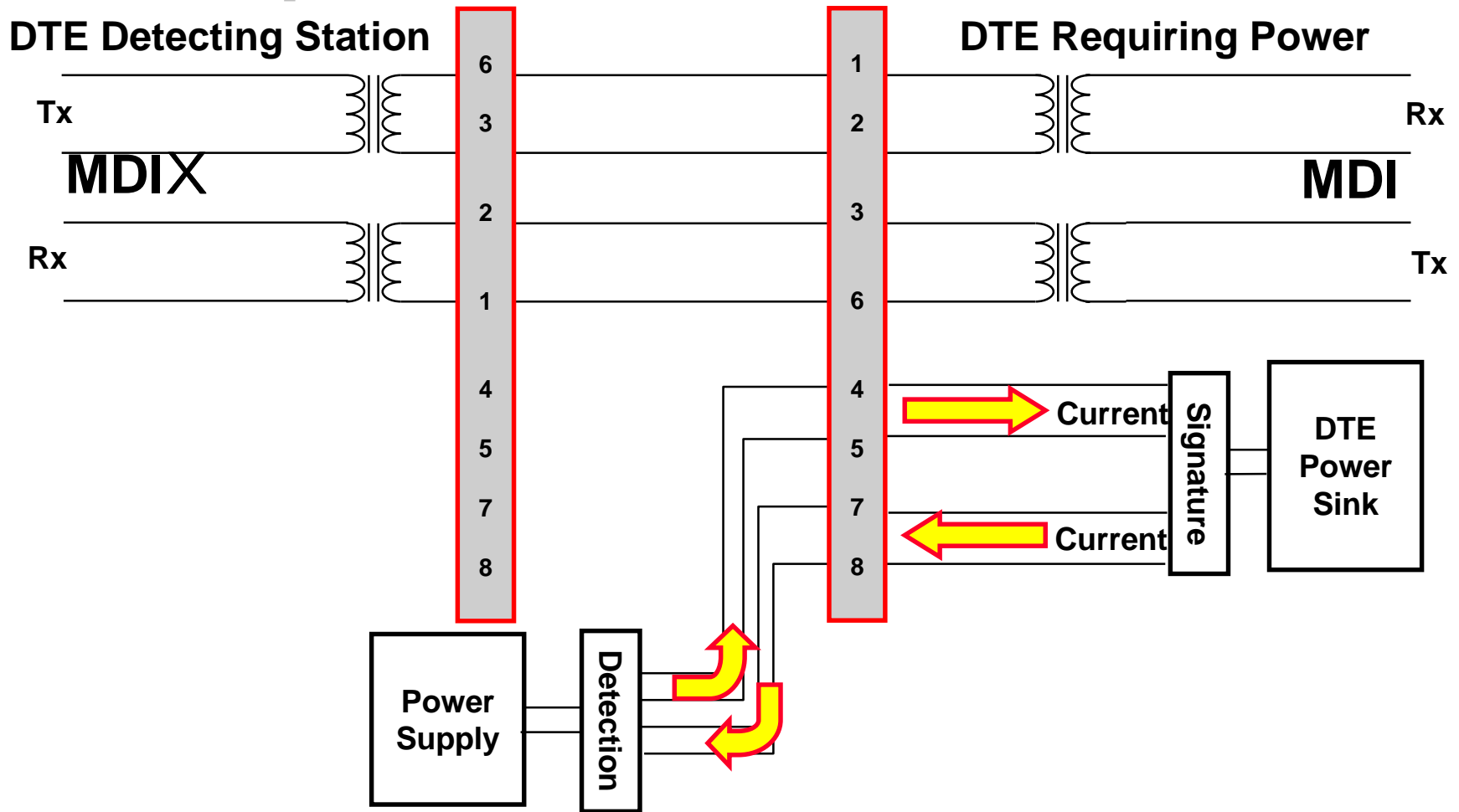
One Spare Pair Power Scheme



Incompatible with 1000BASE-T

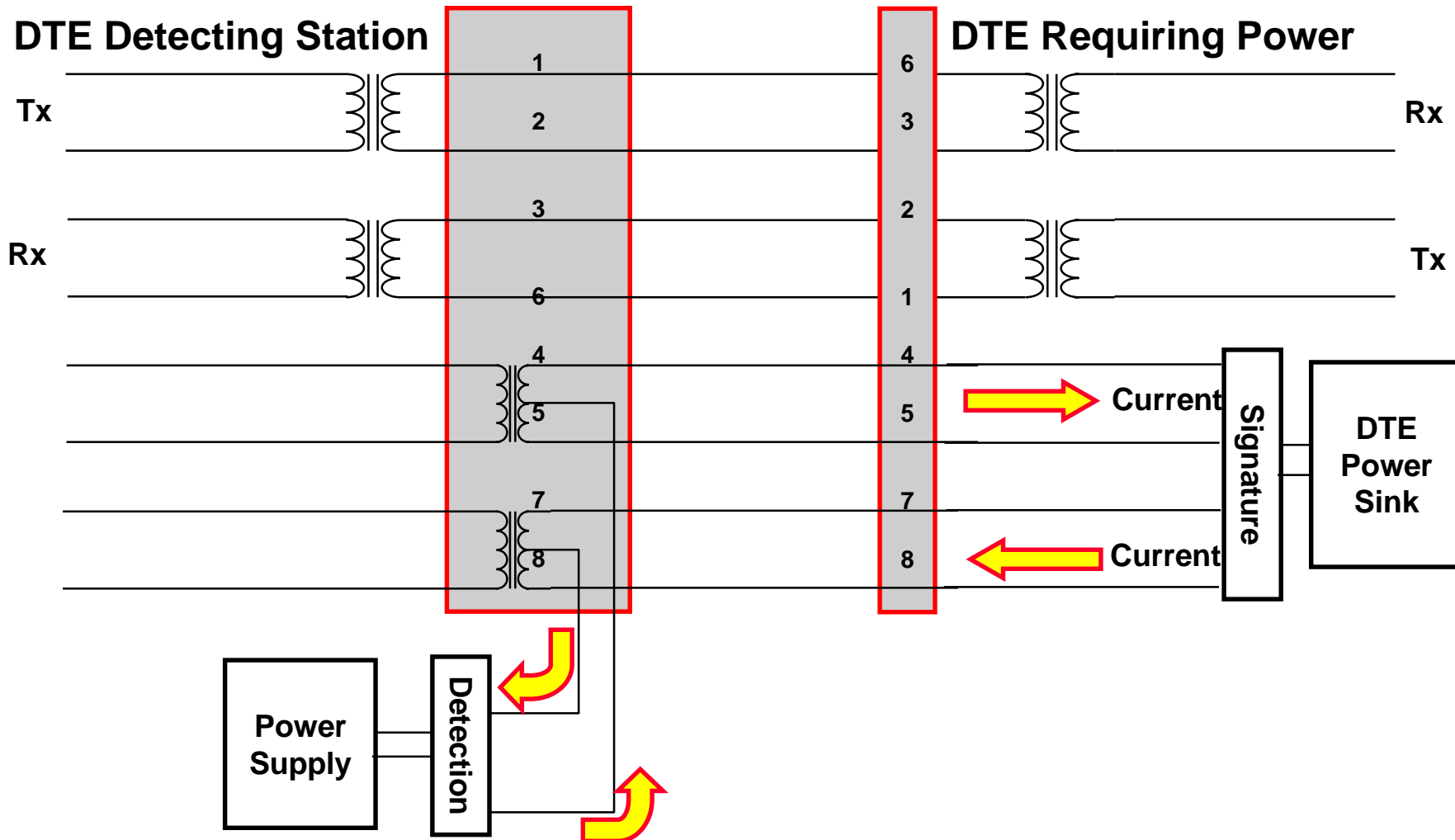


Mid-Span Power Insertion Scheme



**Not a End-to-End 4-pair Wiring Infrastructure:
Implications for 1000BASE-T Deployment**

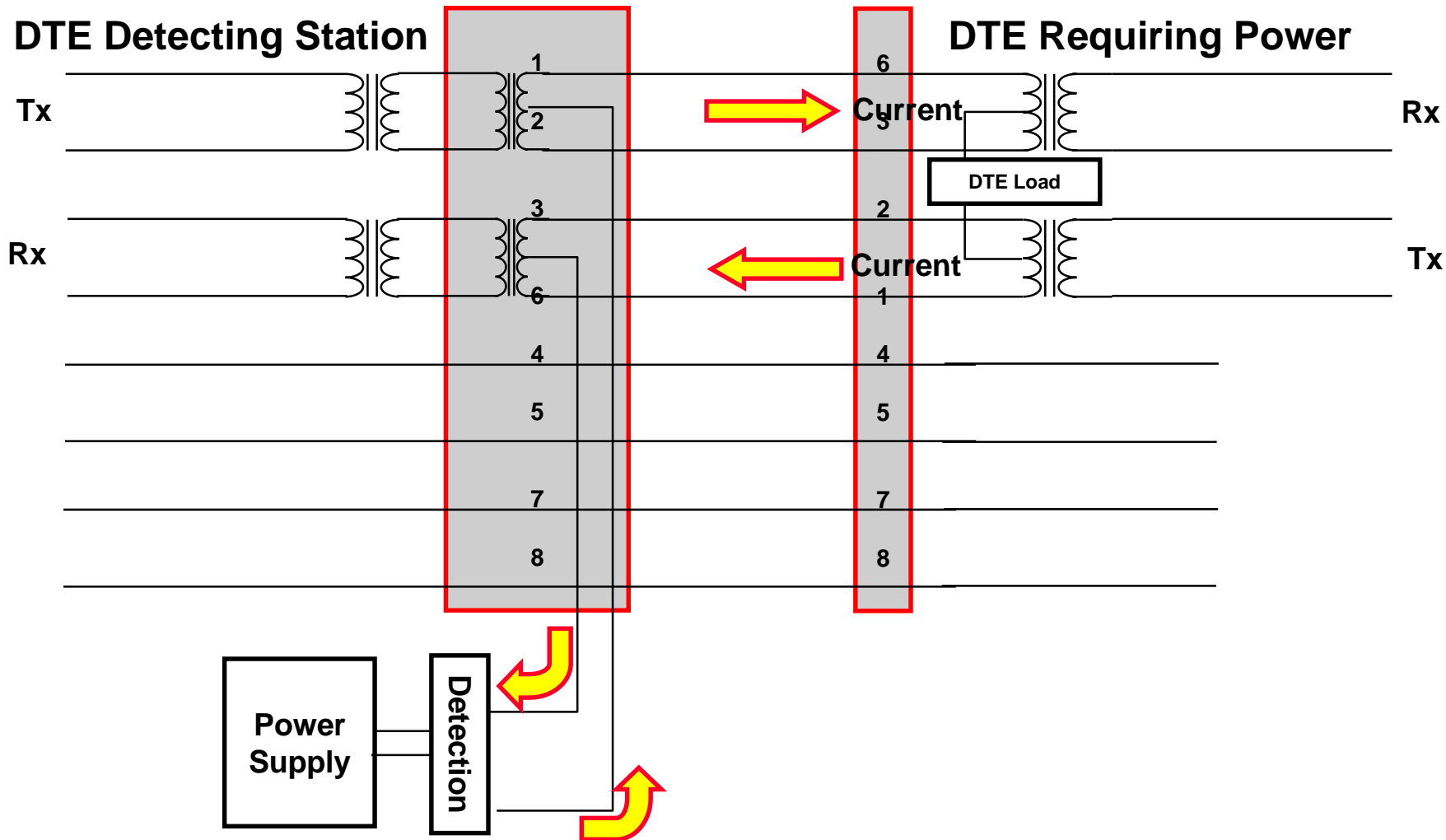
Mid-Span Power: Transformer Coupling



**Preserves End-to-End 4-pair Connectivity;
Implications for 100BASE-T Deployment**



Mid-Span Power: Transformer Coupling



**Preserves End-to-End 4-pair Connectivity;
Implications for 100BASE-T Deployment**

