

A man in a white shirt and red tie is holding a large red pipe over a colorful landscape. The landscape is divided into yellow, green, and blue sections. The man is standing on the yellow section, holding the pipe over the green and blue sections. The pipe is curved and arches over the landscape.

# Power Classification for the PD

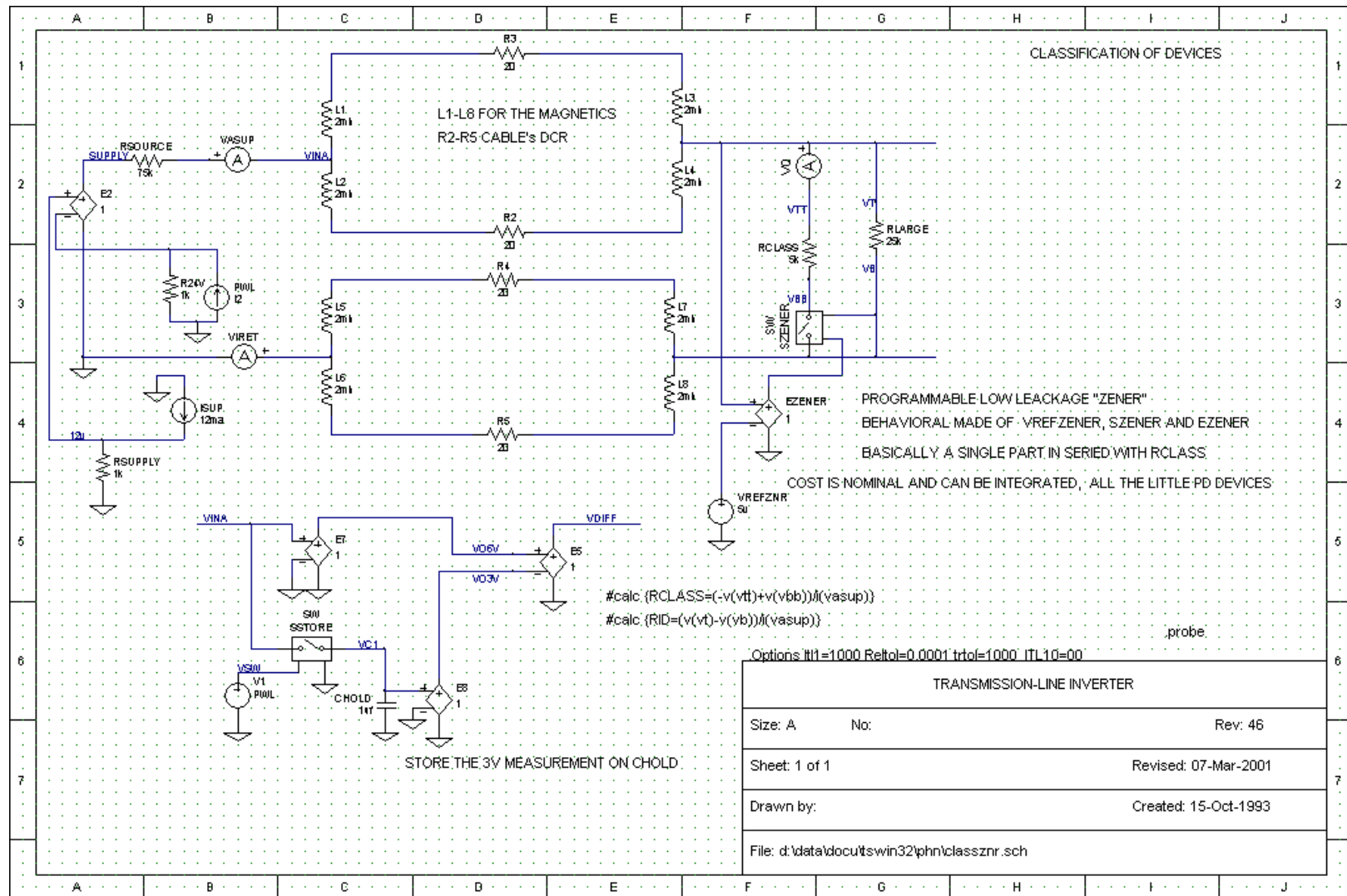
**Roger Karam**  
**[rkaram@cisco.com](mailto:rkaram@cisco.com)**



# PD detection with power classification

- **3 power levels – power classes**
- **25K + 2 additional resistors**
  - Say 10K and 1 or 5K in parallel
- **Programmable Zener**
  - low leakage with  $V_{on} \sim 10V$ , much higher than the 6v max required by Avaya
- **Adds classifications & DOUBLE CHECK**
- **Optional – can be ignored or acted upon by software**
- **Approve in concept and we'll do the work**

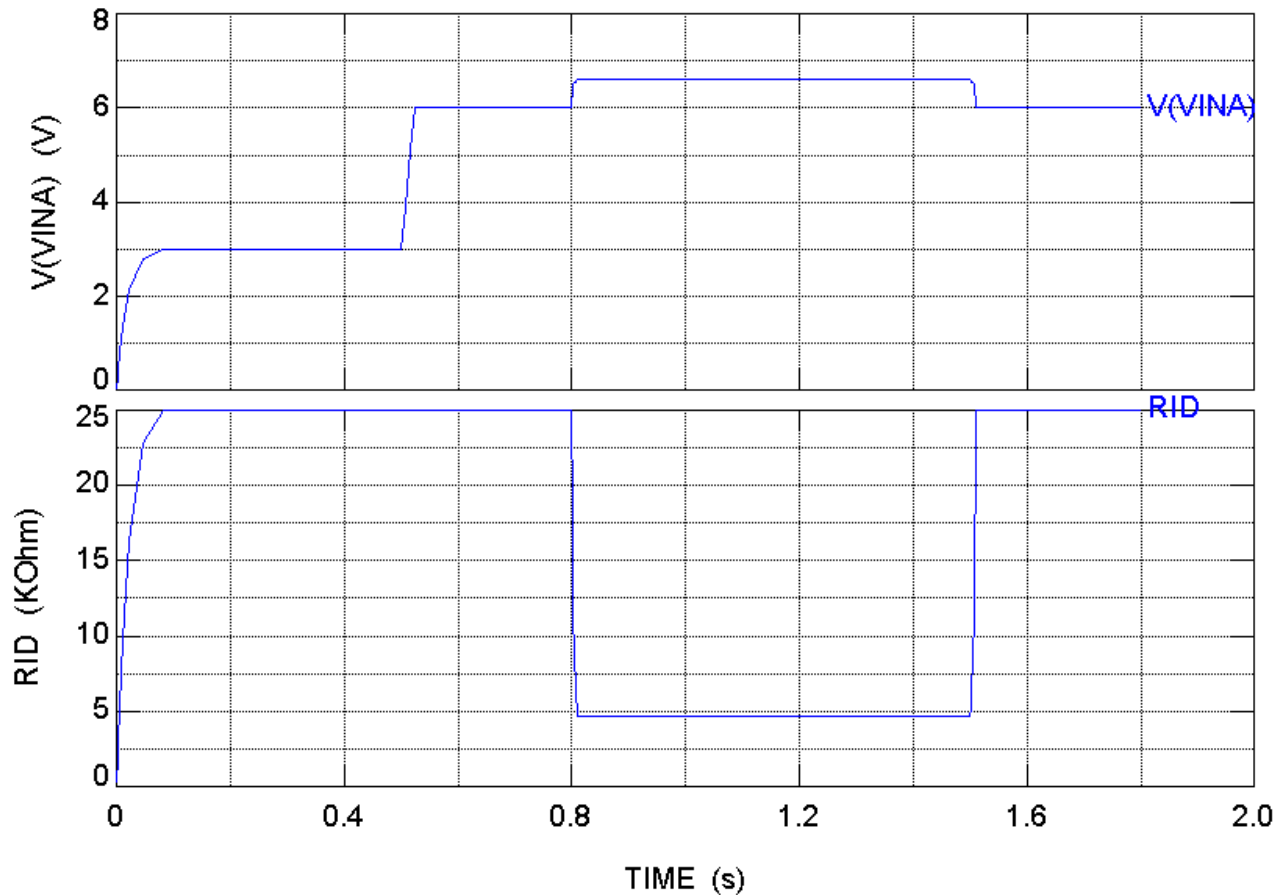
# PD Classification Circuit





# PD Detection with Classification

CLASSIFICATION OF THE PD USING A PROGRAMMABLE ZENER  
PLEASE NOTE THE 5K RCLASS WHEN ZENER TURNS ON



Plot 1: — V(VINA) Plot 2: — RID

AVAILABLE FROM ONE VENDOR AT A NOMINAL COST, CAN INCLUDE 25K TopSPICEw32 5.60 07-MAR-201