

1 **TSB-155**
2 **ADDITIONAL GUIDELINES FOR 4-PAIR 100 Ω CATEGORY 6**
3 **CABLING FOR 10GBASE-T APPLICATIONS**
4

5 **DRAFT 1.1a**

6 **October 20, 2004**
7

8 **NOTICE OF DISCLAIMER AND LIMITATION OF LIABILITY**

9
10 The document to which this Notice is affixed (the "Document") has been prepared by one or more
11 Engineering Committees or Formulating Groups of the Telecommunications Industry Association
12 ("TIA"). TIA is not the author of the Document contents, but publishes and claims copyright to the
13 Document pursuant to licenses and permission granted by the authors of the contents.
14

15 TIA Engineering Committees and Formulating Groups are expected to conduct their affairs in
16 accordance with the TIA Engineering Manual ("Manual"), the current and predecessor versions of
17 which are available at http://www.tiaonline.org/standards/sfg/engineering_manual.cfm. TIA's
18 function is to administer the process, but not the content, of document preparation in accordance
19 with the Manual and, when appropriate, the policies and procedures of the American National
20 Standards Institute ("ANSI"). TIA does not evaluate, test, verify or investigate the information,
21 accuracy, soundness, or credibility of the contents of the Document. In publishing the Document,
22 TIA disclaims any undertaking to perform any duty owed to or for anyone.
23

24 If the Document is identified or marked as a project number (PN) document, or as a standards
25 proposal (SP) document, persons or parties reading or in any way interested in the Document are
26 cautioned that: (a) the Document is a proposal; (b) there is no assurance that the Document will
27 be approved by any Committee of TIA or any other body in its present or any other form; (c) the
28 Document may be amended, modified or changed in the standards development or any editing
29 process.
30

31 The use or practice of contents of this Document may involve the use of intellectual property
32 rights ("IPR"), including pending or issued patents, or copyrights, owned by one or more parties.
33 TIA makes no search or investigation for IPR. When IPR consisting of patents and published
34 pending patent applications are claimed and called to TIA's attention, a statement from the holder
35 thereof is requested, all in accordance with the Manual. TIA takes no position with reference to,
36 and disclaims any obligation to investigate or inquire into, the scope or validity of any claims of
37 IPR. TIA will neither be a party to discussions of any licensing terms or conditions, which are
38 instead left to the parties involved, nor will TIA opine or judge whether proposed licensing terms
39 or conditions are reasonable or non-discriminatory. TIA does not warrant or represent that
40 procedures or practices suggested or provided in the Manual have been complied with as
41 respects the Document or its contents.
42

43 TIA does not enforce or monitor compliance with the contents of the Document. TIA does not
44 certify, inspect, test or otherwise investigate products, designs or services or any claims of
45 compliance with the contents of the Document.
46

47 **ALL WARRANTIES, EXPRESS OR IMPLIED, ARE DISCLAIMED, INCLUDING WITHOUT**
48 **LIMITATION, ANY AND ALL WARRANTIES CONCERNING THE ACCURACY OF THE**
49 **CONTENTS, ITS FITNESS OR APPROPRIATENESS FOR A PARTICULAR PURPOSE OR**
50 **USE, ITS MERCHANTABILITY AND ITS NON-INFRINGEMENT OF ANY THIRD PARTY'S**

1 INTELLECTUAL PROPERTY RIGHTS. TIA EXPRESSLY DISCLAIMS ANY AND ALL
2 RESPONSIBILITIES FOR THE ACCURACY OF THE CONTENTS AND MAKES NO
3 REPRESENTATIONS OR WARRANTIES REGARDING THE CONTENT'S COMPLIANCE WITH
4 ANY APPLICABLE STATUTE, RULE OR REGULATION, OR THE SAFETY OR HEALTH
5 EFFECTS OF THE CONTENTS OR ANY PRODUCT OR SERVICE REFERRED TO IN THE
6 DOCUMENT OR PRODUCED OR RENDERED TO COMPLY WITH THE CONTENTS.
7

8 *TIA SHALL NOT BE LIABLE FOR ANY AND ALL DAMAGES, DIRECT OR INDIRECT, ARISING*
9 *FROM OR RELATING TO ANY USE OF THE CONTENTS CONTAINED HEREIN, INCLUDING*
10 *WITHOUT LIMITATION ANY AND ALL INDIRECT, SPECIAL, INCIDENTAL OR*
11 *CONSEQUENTIAL DAMAGES (INCLUDING DAMAGES FOR LOSS OF BUSINESS, LOSS OF*
12 *PROFITS, LITIGATION, OR THE LIKE), WHETHER BASED UPON BREACH OF CONTRACT,*
13 *BREACH OF WARRANTY, TORT (INCLUDING NEGLIGENCE), PRODUCT LIABILITY OR*
14 *OTHERWISE, EVEN IF ADVISED OF THE POSSIBILITY OF SUCH DAMAGES. THE*
15 *FOREGOING NEGATION OF DAMAGES IS A FUNDAMENTAL ELEMENT OF THE USE OF*
16 *THE CONTENTS HEREOF, AND THESE CONTENTS WOULD NOT BE PUBLISHED BY TIA*
17 *WITHOUT SUCH LIMITATIONS.*
18
19
20
21
22
23
24
25
26
27
28
29
30
31
32
33
34
35
36
37
38
39
40
41
42
43
44
45
46
47
48
49
50
51
52
53
54
55
56

ADDITIONAL GUIDELINES FOR 4-PAIR 100 Ω CATEGORY 6
CABLING FOR 10GBASE-T APPLICATIONS

TABLE OF CONTENTS

1			
2			
3			
4			
5			
6	1	INTRODUCTION	1
7	2	PURPOSE AND SCOPE	1
8	3	NORMATIVE REFERENCES	1
9	4	DEFINITIONS, ACRONYMS & ABBREVIATIONS	1
10	4.1	Definitions	1
11	4.2	Acronyms and abbreviations	2
12	5	TEST CONFIGURATIONS	2
13	5.1	Cabling channel and permanent link test configurations	2
14	5.2	Alien Crosstalk test configurations (ffs)	3
15	6	TRANSMISSION PARAMETERS	3
16	6.1	Insertion Loss	3
17	6.1.1	Cabling insertion loss	3
18	6.1.1.1	Channel Insertion Loss	3
19	6.1.1.2	Permanent Link Insertion Loss	4
20	6.1.3	Insertion Loss Scaling	4
21	6.1.4	Insertion Loss of a Category 6 channel of 55 meters	4
22	6.1.5	Insertion Loss of a Category 6 permanent link of (TBD meters)	4
23	6.2	NEXT loss	4
24	6.2.1	Cabling Pair-to-pair NEXT loss	5
25	6.2.1.1	Pair-to-pair NEXT Loss Channel	5
26	6.2.1.2	Pair-to-pair NEXT Loss Permanent Link	5
27	6.2.2	Power sum NEXT loss	5
28	6.2.2.1	Cabling power sum NEXT loss	6
29	6.2.2.1.1	PSNEXT Loss Channel	6
30	6.2.2.1.2	PSNEXT Loss Permanent Link	6
31	6.3	ELFEXT and FEXT loss	6
32	6.3.1	Cabling pair-to-pair ELFEXT	7
33	6.3.1.1	Pair-to-pair ELFEXT Channel	7
34	6.3.1.2	Pair-to-pair ELFEXT Permanent Link	7
35	6.3.2	Power sum ELFEXT	7
36	6.3.2.1	Cabling power sum ELFEXT	7
37	6.3.2.1.1	Power sum ELFEXT Channel	7
38	6.3.2.1.2	Power sum ELFEXT Permanent Link	8

Deleted: 5

Deleted: 5

Deleted: 6

Deleted: 6

Deleted: 6

Deleted: 6

Deleted: 7

1	6.4 Alien NEXT loss.....	8	Deleted: 7
2	6.4.1 Pair-to-pair ANEXT loss (ffs)	8	Deleted: 7
3	6.4.1.1 Cabling pair-to-pair ANEXT loss.....	8	Deleted: 7
4	6.4.1.1.1 ANEXT Channel Equation	8	Deleted: 7
5	6.4.1.1.2 ANEXT Permanent Link Equation	8	Deleted: 7
6	6.4.2 Power sum Alien NEXT loss	8	Deleted: 7
7	6.5 Alien FEXT and Alien ELFEXT loss (ffs)	9	Deleted: 8
8	6.6 Return Loss.....	9	Deleted: 8
9	6.6.1 Cabling Return Loss.....	9	Deleted: 8
10	6.6.1.1 Channel return loss.....	9	Deleted: 8
11	6.6.1.2 Permanent link return loss	10	Deleted: 9
12	6.7 Propagation delay/delay skew	10	Deleted: 9
13	6.7.1 Cabling propagation delay	10	Deleted: 9
14	6.7.2 Cabling propagation delay skew	10	Deleted: 9
15	Annex A Cabling (field) measurement procedures (TBD).....	11	Deleted: 10
16	Annex B Test instruments	11	Deleted: 10
17	Annex C Alien Crosstalk Mitigation (ffs).....	13	Deleted: 12

18
19
20
21
22
23
24
25

LIST OF FIGURES

Figure 1.....	3
Figure 2.....	3

26
27
28
29
30
31

LIST OF TABLES

Table 1 Category 6 channel return loss	9	
Table 2 Category 6 permanent link return loss	10	Deleted: 9
Table 3 Level IIIe field tester accuracy performance	11	Deleted: 10
Table 4 Explanation of Notes for Level IIIe specifications.....	12	Deleted: 11

FOREWORD

(This foreword is not part of the Telecommunications Systems Bulletin)

At the request of the Institute of Electrical and Electronics Engineers (IEEE) 802.3 Working Group, TIA agreed to create additional guidelines for 4-pair 100 Ω Category 6 Cabling for 10GBASE-T Applications. The project was assigned to TR-42.7 under Engineering Committee TR-42. The TR-42.7 Sub-Committee cooperated with several groups related to this activity.

- a) TR-42.1 – Commercial Building Telecommunications Cabling Sub-Committee
- b) TR-42.7.1 – Copper Connectors Working Group
- c) TR-42.7.2 – Copper Cable Working Group

TIA standards documents are developed within the Technical Committees of the TIA and the standards coordinating committees of the TIA standards board. Members of the committees serve voluntarily and without commission. The companies that they represent are not necessarily members of the TIA. The standards developed within the TIA represent a consensus of the broad expertise on the subject. This expertise comes from within the TIA as well as those outside of the TIA that have an expressed interest. The viewpoint expressed at the time that this standard was approved was from the contributors' experience and the state of the art at that time. Users are encouraged to verify that they have the latest revision of the standard.

This telecommunications bulletin has been prepared by the TR-42.7 Subcommittee and approved by the Technical Committee TR-42.

There are three annexes in this TSB. Annexes A, B, and C,....

1 INTRODUCTION

The guidelines of this Telecommunications Systems Bulletin contain additional recommendations for a minimally compliant category 6 cabling system. These recommendations are intended to further characterize the existing category 6 cabling plant for 10GBASE-T applications.

This Telecommunications Systems Bulletin includes field test procedures that can be used to verify if the installed cabling will meet these new guidelines.

NOTE - The terms "guidelines" and "recommendations" are used interchangeably within this Telecommunications Systems Bulletin.

2 PURPOSE AND SCOPE

This Telecommunications Systems Bulletin describes additional guidelines for 100 Ω, 4-pair category 6 cabling that have been installed in accordance with TIA/EIA-568-B.2.-1 [to support the proposed IEEE 802.3an 10GBASE-T standard](#). These guidelines are intended to provide additional information on the extended frequency transmission performance of category 6 cabling from 250 MHz up to 500 MHz. It also [characterizes](#) the crosstalk coupling between adjacent 4-pair category 6 cabling channels referred to as alien crosstalk and provides additional guidelines for field test equipment and field test methods and alien crosstalk mitigation [in support of 10GBASE-T](#). The transmission recommendations included herein are [intended to provide a means to assess installations of category 6 cabling as](#) specified in TIA/EIA-568-B.-1 and corresponding addenda [up to the extended frequencies and additional parameters needed for 10GBASE-T support](#).

[The TSB does not place any normative requirements for existing category 6 installations.](#)

3 REFERENCES

The following standards are referenced in this text. At the time of publication, the editions indicated were valid. All standards are subject to revision; parties to agreements based on this TSB are encouraged to investigate the possibility of applying the most recent editions of the standards indicated. ANSI and TIA maintain registers of currently valid national standards published by them.

ANSI/TIA/EIA-568-B.1, *Commercial Building Telecommunications Standard Part 1: General Requirements*

ANSI/TIA/EIA-568-B.2, *Commercial Building Telecommunications Standard Part 2: 100 Ohm Balanced Twisted-pair Cabling Standard*

ANSI/TIA/EIA-568-B.2-1, *Transmission Performance Specifications for 4 Pair 100 Ohm Category 6 Cabling*

4 DEFINITIONS, ACRONYMS & ABBREVIATIONS

4.1 Definitions

The generic definitions in this section have been formulated for use by the entire family of telecommunications infrastructure standards. As such, the definitions do not contain mandatory requirements of the Standard. Specific requirements are found in the normative sections of this Standard.

Alien crosstalk: A measure of the unwanted signal coupling between adjacent cabling or components [\(forward to Definitions Group\)](#).

Deleted: 625

Deleted: describes

Deleted: ¶
¶

Deleted: applicable to 100 Ω 4-pair category 6 cabling

Deleted: . Compliance with this guideline does not imply compatibility with cabling having nominal impedance values other than 100 Ω.

Deleted: ¶
NORMATIVE

- 1 **Alien near-end crosstalk loss:** A measure of the unwanted signal coupling between pairs in
- 2 adjacent cabling from transmitters at the near-end into a pair measured at the near-end (forward
- 3 to Definitions Group).
- 4
- 5 **Power sum alien near-end crosstalk loss:** A computation of the unwanted signal coupling
- 6 between pairs in adjacent cabling from multiple transmitters at the near-end into a pair measured
- 7 at the near-end (forward to Definitions Group).
- 8
- 9 **Alien far-end crosstalk(ffs):** A measure of the unwanted signal coupling between pairs in
- 10 adjacent cabling from a transmitter at the near-end into a pair measured at the far-end (forward to
- 11 Definitions Group).
- 12
- 13 **Power sum Alien far-end crosstalk(ffs):** A computation of the unwanted signal coupling
- 14 between pairs in adjacent cabling from multiple transmitters at the near-end into another pair
- 15 measured at the far-end. (forward to Definitions Group).
- 16
- 17 **Power sum alien equal level far-end crosstalk(ffs):** A computation of the unwanted signal
- 18 coupling between pairs in adjacent cabling from multiple transmitters at the near-end into another
- 19 pair measured at the far-end, and relative to the received signal level (forward to Definitions
- 20 Group).

21 **4.2 Acronyms and abbreviations**

- 22 ANEXT Alien Near-end Crosstalk (forward to Definitions Group)
- 23 PSANEXT Power sum near-end crosstalk (forward to Definitions Group)
- 24 AFEXT (ffs) Alien Far-end Crosstalk (forward to Definitions Group)
- 25 PSAFEXT (ffs) Power sum near-end crosstalk (forward to Definitions Group)
- 26 PSAELFEXT (ffs) Power sum alien equal level crosstalk (forward to Definitions Group)

27 **5 TEST CONFIGURATIONS**

28 **5.1 Cabling channel and permanent link test configurations**

29 The channel test configuration is used by system designers and users of data communications

30 systems to verify the performance of the overall channel. The channel includes up to 90 m

31 (295 ft) of horizontal cable, a work area equipment cord, a telecommunications outlet/connector,

32 an optional transition/consolidation connector, and two connections in the telecommunications

33 room. The total length of equipment cords, patch cords or jumpers and work area cords does not

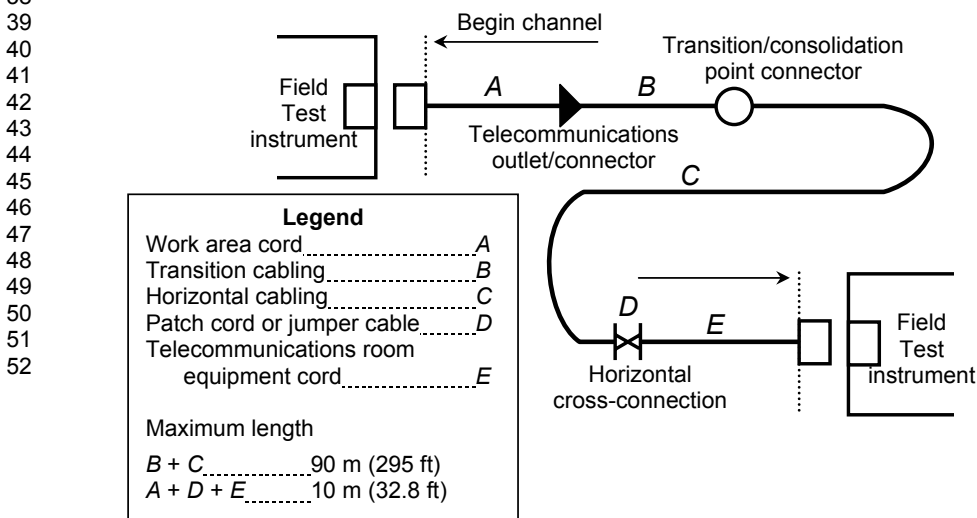
34 exceed 10 m (33 ft). The channel configuration excludes the connections to the equipment at

35 each end of the channel. The channel definition does not apply to those cases where the

36 horizontal cabling is cross-connected to the backbone cabling. A schematic representation of the

37 channel test configuration is illustrated in figure 1.

Deleted: shall



1
2
3
4
5
6
7
8
9
10
11
12
13
14
15
16
17
18
19
20
21
22
23
24
25
26
27
28
29
30
31

Figure 1 Schematic representation of a channel test configuration

The permanent link test configuration is used by installers and users of data telecommunications systems to verify the performance of permanently installed cabling. The permanent link consists of up to 90 m (295 ft) of horizontal cabling and one connection at each end and may also include an optional transition/consolidation point connection. The permanent link configuration excludes both the cable portion of the field tester cord and the connection to the field test device. A schematic representation of the permanent link test configuration is illustrated in figure 2.

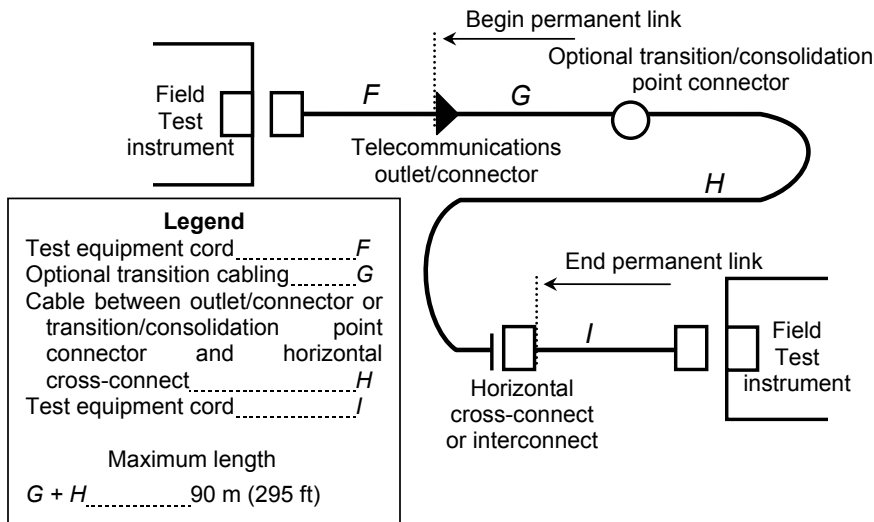


Figure 2 Schematic representation of a permanent link test configuration

5.2 Alien Crosstalk test configurations (ffs)

6 TRANSMISSION PARAMETERS

6.1 Insertion Loss

Insertion loss is a measure of the signal loss resulting from the insertion of cabling or a component between a transmitter and receiver. It is often referred to as attenuation. Insertion loss is the ratio of signal power at the receiver end to the input power determined from measured voltages, expressed in dB.

6.1.1 Cabling insertion loss

6.1.1.1 Channel Insertion Loss

For all frequencies from 1 MHz to 250 MHz, the category 6 channel insertion loss meets the values determined using equation (1) as specified in TIA/EIA-568-B.2.-1.

Deleted: shall meet

$$INSERTIONLOSS_{channel} \leq 1.924 \times \sqrt{f} + 0.0173 \times f + \frac{0.204}{\sqrt{f}} + 0.0003 \times f^{1.5} \quad \text{dB} \quad (1)$$

46

1
2
3
4
5
6
7
8
9
10
11
12
13
14
15
16
17
18
19
20
21
22
23
24
25
26
27
28
29
30
31
32
33
34
35
36
37
38
39
40
41
42
43
44
45

For all frequencies ($250 < f \leq 500$) the insertion loss of the channel should meet the values determined using equation (2).

Deleted: 625

$$INSERTIONLOSS_{channel} \leq 1.05 \left(1.82 \times \sqrt{f} + 0.0169 \times f + \frac{0.25}{\sqrt{f}} \right) + 4 \times 0.02 \times \sqrt{f} \quad \text{dB (2)}$$

6.1.1.2 Permanent Link Insertion Loss

For all frequencies from 1 MHz to 250 MHz, the category 6 permanent link meets the values determined using equation (3) as specified in TIA/EIA-568-B.2.-1. For all frequencies ($250 < f \leq 500$) the insertion loss of the permanent link should meet the values determined using equation (3).

Deleted: shall meet

Deleted: 625

(TBD) dB (3)

6.1.3 Insertion Loss Scaling

To ensure reliable 10GBASE-T operation, a minimum signal to noise ratio (SNR) is necessary. The PS ANEXT loss guideline of 6.4.2 can be relaxed based on a reduction in the maximum insertion loss specified in 6.1.1. The insertion loss reduction can be achieved by scaling the length of the cabling insertion loss.

Deleted: must be maintained

The scaled Category 6 channel insertion loss is defined by equation (4):

$$Scaled_IL_channel \leq \frac{Length_m}{100} \times 1.05 \left(1.82 \times \sqrt{f} + 0.0169 \times f + \frac{0.25}{\sqrt{f}} \right) + 4 \times 0.02 \times \sqrt{f} \quad \text{dB (4)}$$

6.1.4 Insertion Loss of a Category 6 channel of 55 meters

For all frequencies from 1 MHz to 250 MHz, the category 6 insertion loss of a 55 meter channel meets the values determined using equation (5). For all frequencies ($250 < f \leq 500$) MHz the category 6 insertion loss of a 55 meter channel should meet the values determined using equation (5).

Deleted: shall meet

Deleted: 625

$$Scaled_IL_channel(55\ m) \leq \frac{55}{100} \times 1.05 \left(1.82 \times \sqrt{f} + 0.0169 \times f + \frac{0.25}{\sqrt{f}} \right) + 4 \times 0.02 \times \sqrt{f} \quad \text{dB (5)}$$

6.1.5 Insertion Loss of a Category 6 permanent link of (TBD meters)

For all frequencies from 1 MHz to 250 MHz, the category 6 insertion loss of a (TBD) meter permanent link meets the values determined using equation (6). For all frequencies ($250 < f \leq 500$) MHz the category 6 insertion loss of a 55 meter channel should meet the values determined using equation (6).

Deleted: shall meet

Deleted: 625

(TBD) dB (6)

6.2 NEXT loss

NEXT loss is a measure of the unwanted signal coupling from a transmitter at the near-end into neighboring pairs measured at the near-end. NEXT loss is expressed in dB relative to the received signal level. In addition, since each duplex channel can be disturbed by more than one

1 duplex channel, power sum near-end crosstalk (PSNEXT) loss is also provided.

2 **6.2.1 Cabling Pair-to-pair NEXT loss**

3 **6.2.1.1 Pair-to-pair NEXT Loss Channel**

4 For all frequencies from 1 MHz to 250 MHz, the category 6 channel pair-to-pair NEXT loss meets
 5 the values determined using equation (7) as specified in TIA/EIA-568-B.2.-1.

Deleted: shall

6
7

$$8 \quad NEXtchannel \geq -20 \times \log_{10} \left(10^{\frac{44.3-15 \log_{10} \left(\frac{f}{100} \right)}{-20}} + 2 \times 10^{\frac{54-20 \log_{10} \left(\frac{f}{100} \right)}{-20}} \right) \text{ dB} \quad (7)$$

10 For all frequencies between (250 < f < 330) MHz the channel pair-to-pair NEXT loss should meet
 12 the values determined using equation (7).

14 For all frequencies (330 ≤ f ≤ 500) MHz the channel pair-to-pair NEXT loss of the cabling should
 15 meet the values determined using equation (8).

Deleted: 625

16

$$17 \quad NEXtchannel \geq 31 - 50 \times \log_{10} \left(\frac{f}{330} \right) \text{ dB} \quad (8)$$

18 **6.2.1.2 Pair-to-pair NEXT Loss Permanent Link**

19 For all frequencies from 1 MHz to 250 MHz, the category 6 permanent pair-to-pair NEXT loss
 20 meets the values determined using equation (9) as specified in TIA/EIA-568-B.2.-1.

Formatted: Normal

Deleted:

21

$$22 \quad NEXtpermanent_link \geq -20 \times \log_{10} \left(10^{\frac{44.3-15 \log_{10} \left(\frac{f}{100} \right)}{-20}} + 10^{\frac{54-20 \log_{10} \left(\frac{f}{100} \right)}{-20}} \right) \text{ dB} \quad (9)$$

Deleted: (TBD)

Deleted:

Deleted:

Deleted:

24 For all frequencies between (250 < f < 300) MHz the permanent pair-to-pair NEXT loss should
 25 meet the values determined using equation (9)-TBD.

27 For all frequencies (300 ≤ f ≤ 500) MHz the permanent pair-to-pair NEXT loss of the cabling
 28 should meet the values determined using equation (10)-TBD.

29

$$NEXtpermanent_link \geq 34 - 48 \times \log_{10} \left(\frac{f}{300} \right) \text{ dB(TBD)} \quad (10)$$

30 **6.2.2 Power sum NEXT loss**

31 Power sum near-end crosstalk loss takes into account the combined crosstalk (statistical) on a
 32 receive pair from all near-end disturbers operating simultaneously. The power sum near-end
 33 crosstalk (PSNEXT) loss is calculated in accordance with ASTM D4566 as a power sum on a
 34 selected pair from all other pairs as shown in equation (10) for the case of 4-pair cable.

36 $PSNEXT = -10 \log_{10} (10^{-x1/10} + 10^{-x2/10} + 10^{-x3/10}) \text{ dB}$

(11) Deleted: 10

37 where:
 38
 39

1 X1, X2, X3 are the pair-to-pair crosstalk measurements in dB between the selected pair and the
 2 other three pairs.
 3

4 **6.2.2.1 Cabling power sum NEXT loss**

5 **6.2.2.1.1 PSNEXT Loss Channel**

6 For all frequencies from 1 MHz to 250 MHz, the category 6 channel power sum NEXT loss meets
 7 the values determined using equation (12) as specified in TIA/EIA-568-B.2.-1.

$$PSNEXT_{channel} \geq -20 \times \log_{10} \left(10^{\frac{42.3 - 15 \log_{10} \left(\frac{f}{100} \right)}{-20}} + 2 \times 10^{\frac{50 - 20 \log_{10} \left(\frac{f}{100} \right)}{-20}} \right) \text{ dB} \quad (12)$$

10 For all frequencies (250 < f < 330) MHz the channel power sum NEXT loss should meet the
 11 values determined using equation (11).

14 For all frequencies (330 ≤ f ≤ 500) MHz the channel power sum NEXT loss of the cabling should
 15 meet the values determined using equation (12).

$$PSNEXT_{channel} \geq 28 - 42 \times \log_{10} \left(\frac{f}{330} \right) \text{ dB} \quad (13)$$

18 **6.2.2.1.2 PSNEXT Loss Permanent Link**

19 For all frequencies from 1 MHz to 250 MHz, the category 6 permanent link power sum NEXT loss
 20 meets the values determined using equation (14) as specified in TIA/EIA-568-B.2.-1.

$$PSNEXT_{permanent_link} \geq -20 \times \log_{10} \left(10^{\frac{42.3 - 15 \log_{10} \left(\frac{f}{100} \right)}{-20}} + 10^{\frac{50 - 20 \log_{10} \left(\frac{f}{100} \right)}{-20}} \right) \text{ dB} \quad (14)$$

24 For all frequencies between (250 < f < 300) MHz the permanent link power sum NEXT loss
 25 should meet the values determined using equation (14)-TBD.

27 For all frequencies (300 ≤ f ≤ 500) MHz the permanent link power sum NEXT loss of the cabling
 28 should meet the values determined using equation (15)-TBD.

$$PSNEXT_{permanent_link} \geq 31.4 - 40 \times \log_{10} \left(\frac{f}{300} \right) \text{ dB(TBD)} \quad (15)$$

31 **6.3 ELFEXT and FEXT loss**

32 FEXT loss is a measure of the unwanted signal coupling from a transmitter at the far-end into
 33 neighboring pairs measured at the near-end. FEXT loss is the ratio of the power coupled from a
 34 disturbing pair into the disturbed pair relative to the input power at the opposite end of the
 35 transmission lines determined from measured voltages. This ratio is expressed in dB.
 36

37 ELFEXT is expressed in dB as the difference between the measured FEXT loss and the insertion
 38 loss of the disturbed pair. In addition, since each duplex channel can be disturbed by more than
 39 one duplex channel, power sum equal level far-end crosstalk (PSELFEXT) is also specified for
 40 cabling and cables.

Deleted: shall meet

Deleted: 1

Deleted: ¶
¶

Formatted: Normal, Indent: First line: 0", Tabs: 6", Right

Deleted: 1

Deleted: pair-to-pair

Deleted: PS

Deleted: 625

Deleted: pair-to-pair

Deleted: PS

Deleted: 2

Formatted: Normal

Deleted:

Deleted: (TBD) dB
(13)¶

1 **6.3.1 Cabling pair-to-pair ELFEXT**

2 **6.3.1.1 Pair-to-pair ELFEXT Channel**

3 For all frequencies from 1 MHz to 250 MHz, the category 6 channel ELFEXT meets the values
 4 determined using equation (13) as specified in TIA/EIA-568-B.2.-1. For all frequencies (250 < f ≤
 5 500) the category 6 channel ELFEXT of the channel should meet the values determined using
 6 equation (16).

Deleted: shall meet

Deleted: 625

Deleted: 4

Deleted: 4

7

$$8 \quad ELFEXT_{channel} \geq -20 \times \log_{10} \left(10^{\frac{27.8-20 \log_{10} \left(\frac{f}{100} \right)}{-20}} + 4 \times 10^{\frac{43.1-20 \log_{10} \left(\frac{f}{100} \right)}{-20}} \right) \text{ dB} \quad (16)$$

9 **6.3.1.2 Pair-to-pair ELFEXT Permanent Link**

10 For all frequencies from 1 MHz to 250 MHz, the category 6 permanent link ELFEXT meets the
 11 values determined using equation (14) as specified in TIA/EIA-568-B.2.-1. For all frequencies
 12 (250 < f ≤ 500) the category 6 permanent link ELFEXT of the permanent link should meet the
 13 values determined using equation (17).

Deleted: shall meet

Deleted: 625

Deleted: 5

14

$$15 \quad ELFEXT_{permanent_link} \geq 20 \times \log_{10} \left(10^{\frac{27.8-20 \log_{10} \left(\frac{f}{100} \right)}{-20}} + 3 \times 10^{\frac{43.1-20 \log_{10} \left(\frac{f}{100} \right)}{-20}} \right) \text{ dB} \quad (17)$$

Deleted: ¶
 ¶
 TBD

Deleted:

Deleted: (15)

17 **6.3.2 Power sum ELFEXT**

18 Power sum equal level far-end crosstalk loss takes into account the combined crosstalk
 19 (statistical) on a receive pair from all far-end disturbers operating simultaneously. The power sum
 20 equal level far-end crosstalk (PSELFEXT) loss is calculated in accordance with ASTM D4566 as
 21 a power sum on a selected pair from all other pairs as shown in equation (18) for the case of 4-
 22 pair cable.

Deleted: 6

23

$$24 \quad PSELFEXT = -10 \log_{10} \left(10^{-X1/10} + 10^{-X2/10} + 10^{-X3/10} \right) \text{ dB} \quad (18)$$

Deleted: 6

25
 26
 27 where:

28
 29 X1, X2, X3 are the pair-to-pair crosstalk measurements in dB between the selected pair and the
 30 other three pairs.

31 **6.3.2.1 Cabling power sum ELFEXT**

32 **6.3.2.1.1 Power sum ELFEXT Channel**

33 For all frequencies from 1 MHz to 250 MHz, the category 6 channel power sum ELFEXT meets
 34 the values determined using equation (16) as specified in TIA/EIA-568-B.2.-1. For all frequencies
 35 (250 < f ≤ 500) the category 6 channel power sum ELFEXT should meet the values determined
 36 using equation (19).

Deleted: shall meet

Deleted: 625

Deleted: 7

37

$$38 \quad PSELFEXT_{channel} \geq -20 \times \log_{10} \left(10^{\frac{24.8-20 \log_{10} \left(\frac{f}{100} \right)}{-20}} + 4 \times 10^{\frac{40.1-20 \log_{10} \left(\frac{f}{100} \right)}{-20}} \right) \text{ db} \quad (19)$$

Deleted: 7

1

2 **6.3.2.1.2 Power sum ELFEXT Permanent Link**

3 For all frequencies from 1 MHz to 250 MHz, the category 6 permanent link power sum ELFEXT
 4 meets the values determined using equation (17) as specified in TIA/EIA-568-B.2.-1. For all
 5 frequencies (250 < f ≤ 500) the category 6 permanent link power sum ELFEXT should meet the
 6 values determined using equation (20).

- Deleted: shall meet
- Deleted: 625
- Deleted: 18
- Deleted: TBD
- Deleted:
- Deleted: (18)

8
$$P_{SELFEXT_{permanent_link}} \geq 20 \times \log_{10} \left(10^{\frac{24.8-20 \log_{10} \left(\frac{f}{100} \right)}{-20}} + 3 \times 10^{\frac{40.1-20 \log_{10} \left(\frac{f}{100} \right)}{-20}} \right) \text{dB} \quad (20)$$

9 **6.4 Alien NEXT loss**

10 Alien NEXT loss is a measure of the unwanted signal coupling between pairs in adjacent cabling
 11 from transmitters at the near-end into a pair measured at the near-end. Alien NEXT loss is
 12 expressed in dB relative to the received signal level. In addition, since each duplex channel can
 13 be disturbed by more than one duplex channel, power sum Alien near-end crosstalk (PS ANEXT)
 14 loss is also provided.

15
 16 Editors Note: Alien NEXT Measurement procedure is under study.

17 **6.4.1 Pair-to-pair ANEXT loss (ffs)**

18 **6.4.1.1 Cabling pair-to-pair ANEXT loss**

19 **6.4.1.1.1 ANEXT Channel Equation**

(21)

Deleted: 19

20 **6.4,1,1,2 ANEXT Permanent Link Equation**

(22)

Deleted: 20

21 **6.4.2 Power sum Alien NEXT loss**

22 Power sum Alien near-end crosstalk loss takes into account the combined crosstalk (statistical)
 23 on a receive pair from near-end disturbers in adjacent cables operating simultaneously. The
 24 power sum near-end crosstalk (PSANEXT) loss is determined by summing the power of the
 25 individual pair-to-pair differential Alien NEXT loss values over the frequency range 1 MHz to 500
 26 MHz as follows in equation (21):

Deleted: 625

27

28
$$-10 \times \log_{10} \sum_{i=1}^n 10^{\frac{-AN(f)_i}{10}} \quad (dB) \quad (23)$$

Deleted: 1

29
 30
 31 where

32 AN(f)_i is the magnitude in dB of PS ANEXT loss at frequency f of pair combination i

33 i is the pair-to-pair combination (1 to n)

34 n is the number of pair-to-pair combinations between adjacent cables

37 **6.4.2.1 Power sum Alien NEXT loss for a Category 6 channel of 100 meters**

38 For a 10GBASE-T 100 meter Category 6 channel with the maximum insertion loss specified in
 39 6.1 the PS ANEXT loss between the disturbed duplex channel and the disturbing duplex
 40 channels in adjacent cabling should meet the values determined using equation (24).

Deleted: shall

Deleted: 2

41

1 PS ANEXT > { 62 - 10*log10(fMHz/100) 1 MHz ≤ f ≤ 100 MHz }
 2 { 62 - 15*log10(fMHz/100) 100 MHz < f ≤ 500 MHz } (24)

3 Deleted: 625
 Deleted: 2

4 **6.4.2.2 Power sum Alien NEXT loss Adjustment**

5 The adjusted PS ANEXT loss requirement is determined by first calculating the PS
 6 ANEXT_constant and utilizing the constant in the PS ANEXT limit line model.

7
 8 The PS ANEXT_constant is defined by the following equation (25): Deleted: 3

9
 10 PSANEXT_Constant = 62 - (Cat6_IL_250MHz - SCat6_IL_250MHz) x $\frac{15}{15.6}$ dB (25) Deleted: 3

11 where

12 Cat6_IL_250MHz is the Category 6 insertion loss at 250 MHz for a 100 meter channel
 13 SCat6_IL_250MHz is the scaled Category 6 insertion at 250 MHz

15 **6.4.2.2 PS ANEXT for a Category 6 channel of 55 meters**

16 For a 10GBASE-T 55 meter Category 6 channel with the maximum insertion loss specified in
 17 6.1.3 the PS ANEXT loss between the disturbed duplex channel and the disturbing duplex
 18 channels in adjacent cabling should meet the values determined using equation (26).

19
 20 PS ANEXT > { 47 - 10*log10(fMHz/100) 1 MHz ≤ f ≤ 100 MHz } (26)
 21 { 47 - 15*log10(fMHz/100) 100 MHz < f ≤ (TBD ≤ 500) MHz } Deleted: shall
 22 Deleted: 4
 Deleted: 4
 Deleted: 625

23 **6.5 Alien FEXT and Alien ELFEXT loss (ffs)**

24 TBD dB (27) Deleted: 5

25 **6.6 Return Loss**

26 Return loss is a measure of the reflected energy caused by impedance mismatches in the cabling
 27 system and is especially important for applications that use simultaneous bi-directional
 28 transmission. Return loss is expressed in dB relative to the reflected signal level.

29 **6.6.1 Cabling Return Loss**

30 **6.6.1.1 Channel return loss**

31 For all frequencies from 1 MHz to 250 MHz, the category 6 channel return loss meets the values Deleted: shall meet
 32 specified in table 1 as specified in TIA/EIA-568-B.2.-1. For all frequencies (250 < f ≤ 500) the Deleted: 625
 33 category 6 channel return loss should meet the values in Table 1. Deleted: ¶

34 **Table 1 Category 6 channel return loss**

Frequency (MHz)	Return Loss (dB)
1 ≤ f < 10	19
10 ≤ f < 40	24- 5log10(f)
40 ≤ f ≤ 250	32- 10log10(f)
250 < f < 400	32- 10log10(f)
400 ≤ f ≤ 500	6

35
 36
 37 Formatted: Danish
 38 Deleted: 625

6.6.1.2 Permanent link return loss

For all frequencies from 1 MHz to 250 MHz, the category 6 permanent link return loss meets the values specified in table 2 as specified in TIA/EIA-568-B.2.-1. For all frequencies ($250 < f \leq 500$) the category 6 channel return loss should meet the values in Table 2.

Table 2 Category 6 permanent link return loss

Frequency (MHz)	Return Loss (dB)
$1 \leq f < 3$	$21 + 4 \log_{10}(f/3)$
$3 \leq f < 10$	21
$10 \leq f < 40$	$26 - 5 \log_{10}(f)$
$40 \leq f \leq 250$	$34 - 10 \log_{10}(f)$
$250 < f < 400$	$10 - 20 \log_{10}(f/250)$
$400 \leq f \leq 500$	6

- Deleted: shall meet
- Deleted: 625
- Deleted:
- Deleted:
- Formatted Table

6.7 Propagation delay/delay skew

Propagation delay is the time it takes for a signal to propagate from one end to the other. Propagation delay skew is a measurement of the signaling delay difference from the fastest pair to the slowest. Propagation delay and propagation delay skew are expressed in nanoseconds (ns). Propagation delay and propagation delay skew are measured for all pairs for cables in accordance with ASTM D4566. Propagation delay and propagation delay skew is measured for all pairs for cabling in accordance with annex D of ANSI/TIA/EIA-568-B.2.

- Deleted: shall be
- Deleted: shall be

6.7.1 Cabling propagation delay

The maximum propagation delay for a category 6 channel configuration is less than 555 ns measured at 10 MHz as specified in TIA/EIA-568-B.2.-1.

- Deleted: shall be

The maximum propagation delay for a category 6 permanent link configuration is less than 498 ns measured at 10 MHz as specified in TIA/EIA-568-B.2.-1.

- Deleted: shall be

6.7.2 Cabling propagation delay skew

The maximum propagation delay skew for a category 6 channel configuration is less than 50 ns as specified in TIA/EIA-568-B.2.-1.

- Deleted: shall be

The maximum propagation delay skew for a category 6 permanent link configuration does not exceed 44 ns as specified in TIA/EIA-568-B.2.-1.

- Deleted: shall

1 **Annex A**

2 **Annex A Cabling (field) measurement procedures (TBD)**

3 **Annex B**

4 **Annex B Test instruments**

5
6 **B.1 Accuracy requirements for level IIIe field testers**

7 The level IIIe requirements in this annex are stated for baseline performance, permanent link and
8 channel configurations. The field tester performance for the channel and permanent link applies,
9 to the performance at the reference plane as shown in TIA/EIA-568-B-2.1 figures 1 and 2
10 respectively.

Deleted: shall

Deleted: y

11
12 The methods to compare results from field testers with those obtained using laboratory
13 equipment as defined in TIA/EIA-568-B.2, Annex J Comparison measurement procedures
14 (normative) apply. The observed accuracy from comparison methods is, in harmony with
15 predicted measurement accuracy from performance parameters as defined in this annex.

Deleted: shall

Deleted: shall be

16
17 **B.1.1 Measurement performance requirements**

18
19 The requirements in this annex apply in addition to those stated in TIA/EIA-568-B.2-1. Where
20 requirements are tighter, the tighter requirements apply.

Deleted: shall

Deleted: shall

21
22 Table 3 Level IIIe field tester accuracy performance

23

Parameter	Baseline field tester	Field tester with Level IIIe permanent link adapter	Field tester with Level IIIe channel adapter	
Dynamic range	3 dB over test limit PP NEXT and FEXT 65 dB PS NEXT and FEXT 62 dB			dB
Amplitude resolution	0.1			dB
Frequency range and resolution	1 – 31.25 MHz: 150 kHz 31.25–100 MHz: 250 kHz 100 MHz – 250 MHz: 500 kHz 250 MHz – 500 MHz: 1 MHz			MHz
Dynamic Accuracy NEXT	± 0.75			dB
Dynamic Accuracy ELFEXT	± 1.0 (FEXT dynamic accuracy is tested to ± 0.75 dB)			dB
Source/load return loss	20 – 12.5 log(f/100), 20 dB max. 12.5 dB min	18 – 12.5 log(f/100), 20 dB max., 12 dB min		dB
Random Noise Floor	75 – 15 log(f/100), 85 dB max			dB

Deleted: 625

Formatted: Danish

Residual NEXT	$65 - 20 \log(f/100)$ (measured to 85 dB max)	$60 - 20 \log(f/100)$ (measured to 85 dB max)	$54 - 20 \log(f/100)$ (measured to 85 dB max)	dB
Residual FEXT	$65 - 20 \log(f/100)$ (measured to 85 dB max)	$65 - 20 \log(f/100)$ (measured to 85 dB max)	$43.1 - 20 \log(f/100)$ (measured to 85 dB max)	dB
Output Balance Signal	$40 - 20 \log(f/100)$ (measured to 60 dB max)	$37 - 20 \log(f/100)$ (measured to 60 dB max)		dB
Common Rejection Mode	$40 - 20 \log(f/100)$ (measured to 60 dB max)	$37 - 20 \log(f/100)$ (measured to 60 dB max)		dB
Tracking	± 0.5 dB	1 MHz – 250 MHz: ± 0.5 dB 250 MHz – 500 MHz: $\pm \{0.5 + 0.000667 \cdot (f-250)\}$ dB		dB
Directivity	(applicable when IL > 3dB) 1 MHz – 300 MHz: $27-7\log(f/100)$, 30 dB max. 300 MHz – 500 MHz: 23.7 dB	25-20log(f/100) , 25 dB max, 15 dB min		dB
Source Match	20 dB	20-20log(f/100) , 20 dB max, 12 dB min		dB
Return loss of Termination	(applicable when IL > 3dB) $20-15\log(f/100)$, 25 dB max., 12.5 dB min	16-15log(f/100) , 25 dB max, 12 dB min		dB

Deleted: 625

Formatted: Danish

Deleted: 625

Formatted: Danish

Formatted: Danish

1

2 **Table 4** Explanation of Notes for Level IIIe specifications

3

Note	Description
1	The dynamic range for pair-to-pair NEXT and FEXT is 65 dB minimum.
2	The dynamic range for power sum NEXT and power sum FEXT is 62 dB minimum.
3	Dynamic accuracy is tested up to the specified dynamic range for NEXT and FEXT.
4	Dynamic accuracy ELFEXT assumes a dynamic accuracy requirement of ± 0.75 dB for FEXT, which is tested, and that the dynamic accuracy performance for insertion loss and FEXT add to the ELFEXT dynamic accuracy shown. It is assumed that the dynamic accuracy performance for ACR equals the dynamic accuracy for ELFEXT.
5	The verification of residual NEXT and FEXT is up to 85 dB maximum. It is assumed that the frequency response changes at a 20 dB/decade rate.
6	Performance verification of Output Signal Balance and Common Mode Rejection is up to 60 dB maximum. It is assumed that the frequency response changes at a 20 dB/decade rate.
7	Permanent link adapter NEXT loss is between the lower and upper ranges of test plugs

Deleted: requirements

Deleted: shall be

Deleted: shall be

Deleted: shall

	as specified for category 6 in IEC 60603-7. Compliance with this requirement can also be demonstrated by performing a comparison test as in TIA/EIA-568-B.2, Annex J. In this case, a reference plug qualified per IEC 60603-7 <u>is</u> used to obtain the reference laboratory measurement.
8	Permanent link adapter FEXT loss <u>is</u> between the lower and upper ranges of test plugs as specified for category 6 in IEC 60603-7. Compliance with this requirement can also be demonstrated by performing a comparison test as in TIA/EIA-568-B.2, Annex J. In this case, a reference plug qualified per IEC 60603-7 <u>is</u> used to obtain the reference laboratory measurement.

Deleted: shall be

Deleted: shall

Deleted: shall be

1

2 **Annex C**

3 **Annex C Alien Crosstalk Mitigation (ffs)**

4

5

Deleted: ¶

¶
¶
¶
¶
¶
¶
¶