



# Backplane Auto-negotiation Based on Clause 37

---

Presentation to  
IEEE 802.3ap Task Force  
July 2004 Plenary Meeting  
Portland, OR

Prepared by Ali Ghiasi

[aghiasi@broadcom.com](mailto:aghiasi@broadcom.com)

# Contributors and Supporters



---

- ▣ Pat Thaler – Agilent
- ▣ Young Kim – Broadcom
- ▣ John Louie -Broadcom
- ▣ Uri Elzur – Broadcom
- ▣ Joe Abler – IBM
- ▣ Jeff Lynch – IBM
- ▣ Paravin Patel - IBM
- ▣ Tom Palkert – Xilinx
- ▣ Brian Braun - Xilinx



# Auto-Neg /Signaling Objective

---

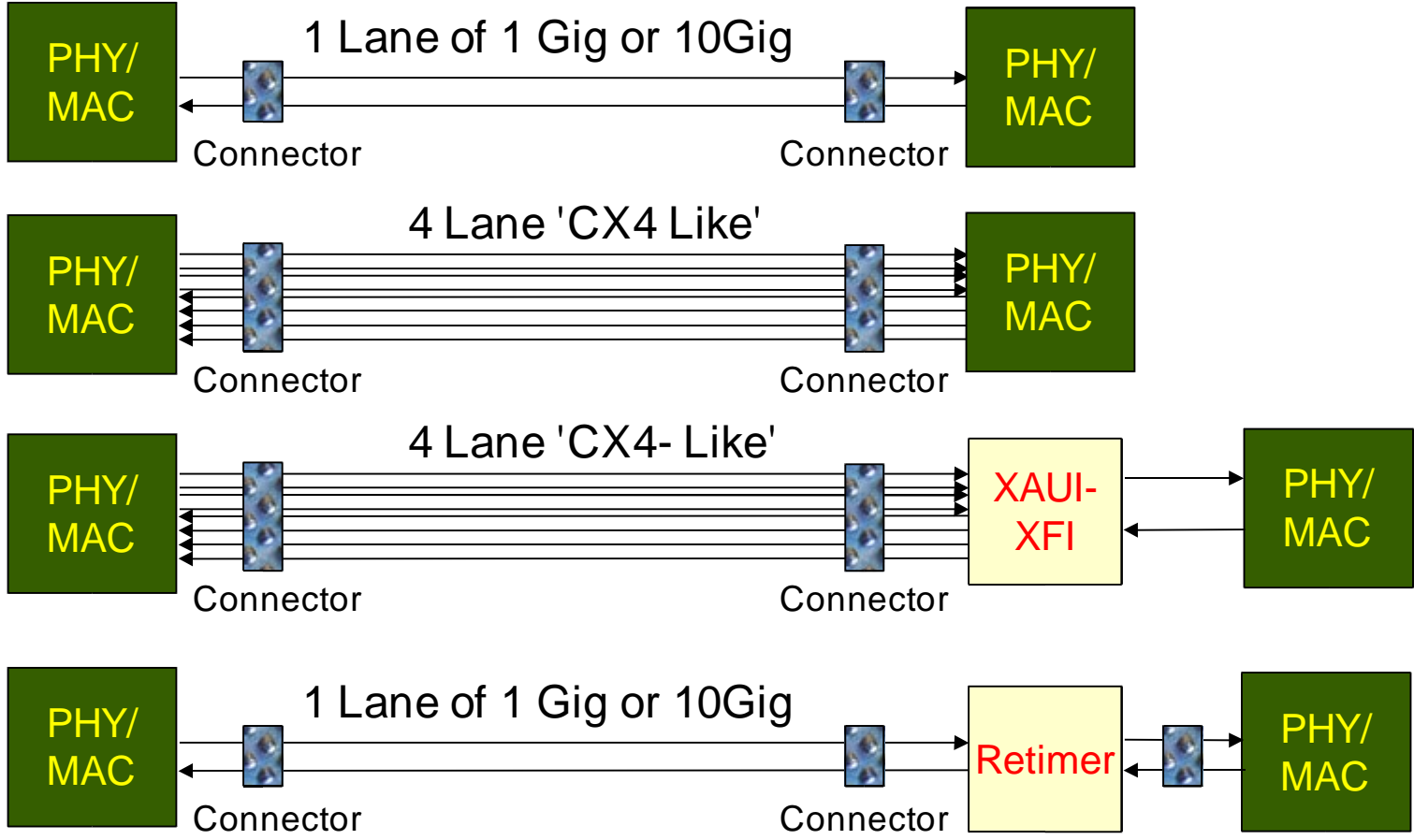
- Backward compatibility
- Proven implementation
- Fast negotiation ( ms not seconds)
- Minimal impact to existing PHYs  
(SerDes friendly, no analog changes)
- Friendly to "pass through" blades and external PHY

# What are the Problems to Solve?



- ▣ Establish Link - Robust, Fast, Interoperable
  - ▣ Speed negotiation
  - ▣ Required SERDES/Driver/Receiver parameter selection, if required for link establishment (10G)
  
- ▣ Considerations - Nice-to-have
  - ▣ Lane Negotiation
  - ▣ Remote Fault (Multi-lane also).
  
- ▣ Backward Compatibility
  - ▣ 1000Base-x
  - ▣ CX4 (XAUI-like)
  - ▣ 10GBase-R LAN/PHY (if we choose 64/66B Coding)

# Backplane Ethernet Implementation Scenario





# Establishing a Link

---

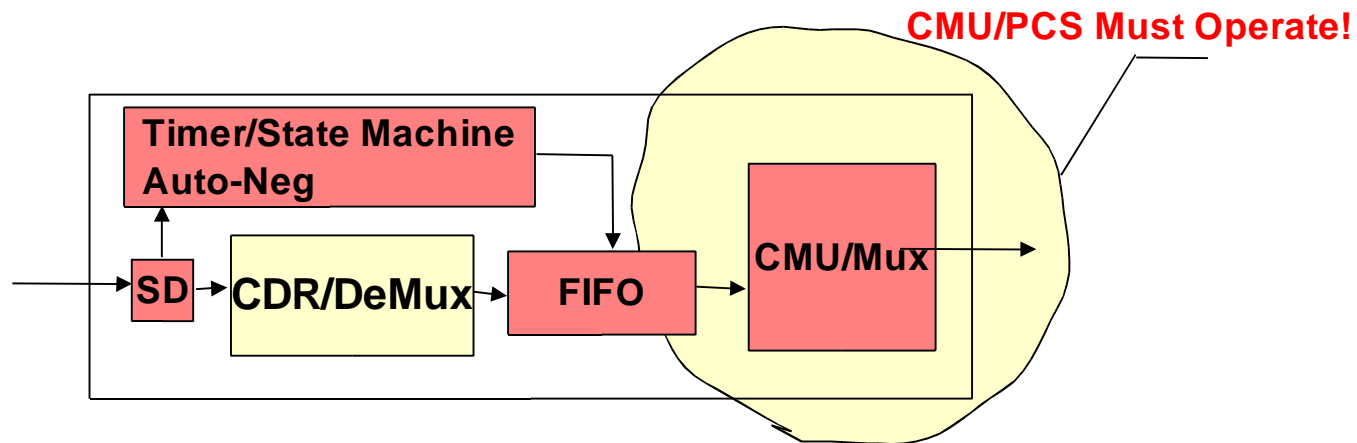
- ▣ Negotiate Speed (and Lane)
- ▣ SERDES/Driver/Receiver
  - ▣ Parameters (if needed for 10G single lane or higher speed).
- ▣ I/O Compatibility
- ▣ Protocol Clause 37 Exchange Pages [1], kim [2].

# Overview of Clause 28 and 37 Auto Negotiation

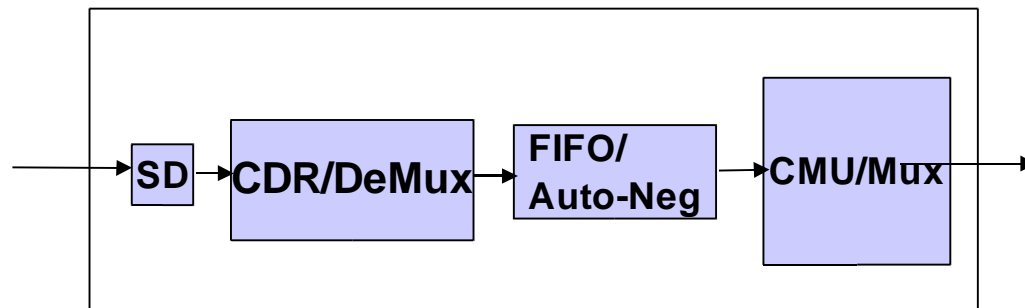
|                   | Clause 28<br>-Link Pulse  | Clause 37<br>-Code Word  |
|-------------------|---|--|
| I/O               | <b>Medium Analog Complexity.<br/>Require Analog SD to<br/>parallel detect incoming<br/>pulses</b> | <b>No Change to Analog.<br/>Simple Digital<br/>Implementation</b>  |
| Link<br>Operation | <b>CMU/Mux Must Operate<br/>to pass Config Register</b>   | <b>CMU/CDR must be<br/>operational to Pass Config<br/>Register</b> |

# Inband "Clause 37" vs Pseudo Inband "Clause 28" Auto Negotiation

Clause 28 - More Complexity just not to operate the CDR during AutoNeg!

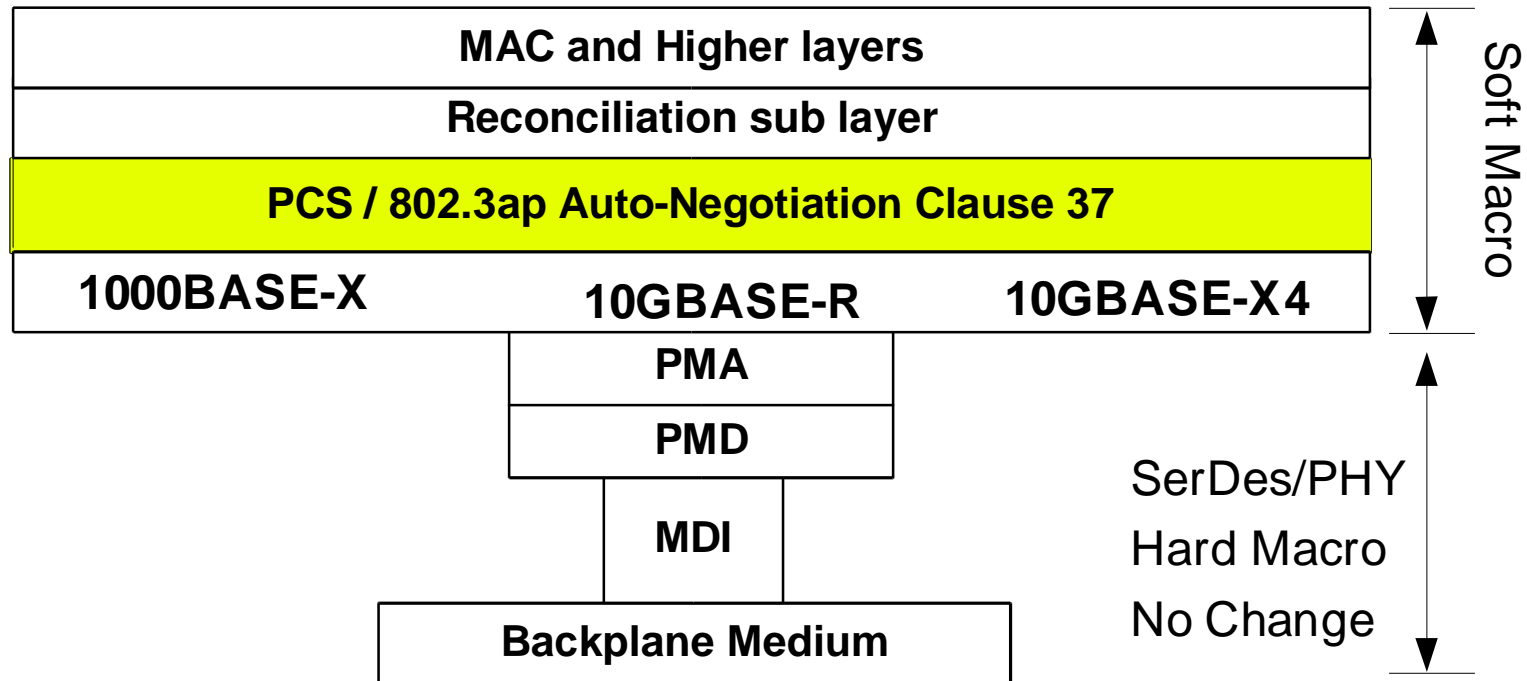


Clause 37 - Simpler





# 802.3ap Layer Model



**Layer Model**

# Comparison of Clause 28, 37, and FC AutoNeg

| Parameter                         | OLP-Clause 28 | Code Word Clause 37 | FC     |
|-----------------------------------|---------------|---------------------|--------|
| Independent TX and RX Rate        | No            | No                  | Yes    |
| AutoNeg Layer Location            | PCS/Analog    | PCS                 | FC-2   |
| Backward Compatability            | None          | 1000Base-x          | FC-AL  |
| Complexity                        | Med           | Low                 | Low    |
| AutoNeg Speed                     | > 1s          | 100 ms              | 500 ms |
| Parallel Receive Detect Circuitry | --            | ++                  | ++     |
| Low Frequency Cutoff Requirement  | --            | ++                  | ++     |
| Allow Retimer / External SerDes   | --            | ++                  | ++     |

# Clause 37 1000Base-X AutoNeg Implementation



- Transmit alternating /C1/ and /C2/
  - C1 Order Set Configuration 1 defined as / K28.5/D21.5/Config\_Reg.
  - C2 Order Set Configuration 2 defined as / K28.5/D2.2/Config\_Reg.
- Config\_Reg is defined as two Bytes to Auto-Negotiate 1000Base-x and defined in Clause 37.
  - Config\_Reg pages can be extended to accommodated other speed like 10G and 40G.
  - Next page support exist already
- /C1/ and /C2/ are supported in 10GBase-R.

# Advantages of Using Clause 37



---

- ▢ SerDes Friendly and Compatible with existing PHY:
  - ▢ 1000Base-X, 10GBase-X4, and 10GBase-R
- ▢ Backward compatible to 1000Base-X [3]
- ▢ Simple clean implementation in PCS layer
- ▢ Maintain Signal Detect for Diagnostics
- ▢ Robust / immune from noise and crosstalk
- ▢ Does not limit AC coupling caps



# Summary

---

- Backplane Ethernet should be backward compatible to 1000Base-X, 10GBase-X4, and 10GBase-R.
- Clause 37 is the only existing and proven AutoNeg beside FC with “no change to the SerDes” .
- SerDes Friendly means “no change to SerDes” and “allow external PHY” .



# References

---

- [1] IEEE Standards 802.3-2002 Clause 37 and 802.3ae-2002 Clause 49
- [2] Kim, Clause 37 Protocol IEEE 802.3 July 2004 Portland.
- [3] UNH-IOL Clause 37 Auto-Negotiation Test Suite  
<http://www.iol.unh.edu/testsuites/ge/>