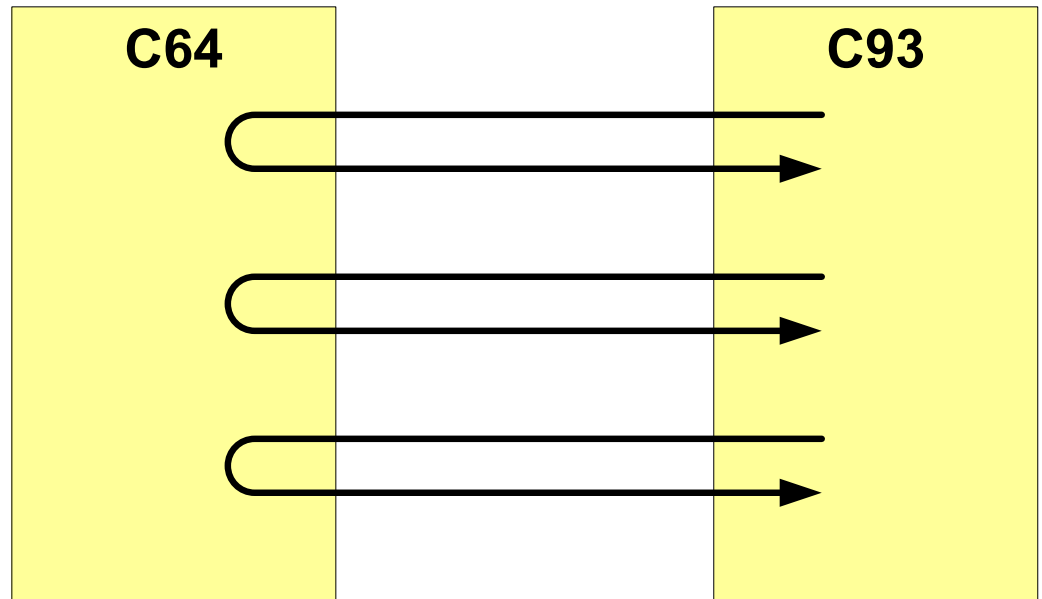


Revising Clause 64

Proposed Resolution
for D1.0 Comment #403

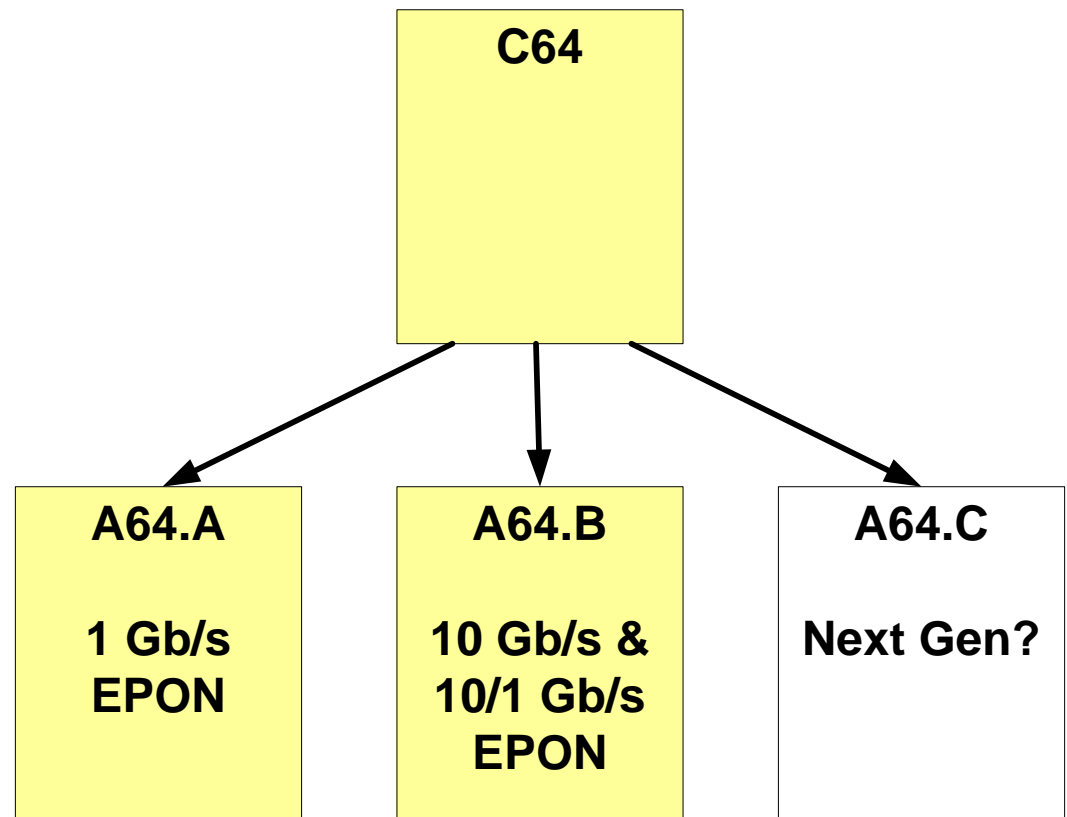
Solution #1

- Create a new clause that describes 10Gb/s EPON operation
- Reference C64 for unchanged functionality



Solution #2

- Clause 64 contains only common functionality (speed-agnostic)
- Any parameters or functions specific to 1 Gb/s EPON, 10 Gb/s EPON, or 10/1 Gb/s EPON are moved to corresponding annexes



Pros and Cons

- **Solution #1:**

- + Less work
- Not clean structure – MAC Control clauses are speed-dependent
- A new generation of EPON would require a new big clause

- **Solution #2:**

- Significantly more work
- Deep surgery on existing clause – possible errors
- Unforeseen difficulties may prevent successful deparametrizing of C64
- + Clean solution – next generation EPON would need only a small annex

Thoughts

- It is nice to have the solution #2
- But we need to see a prototype of the solution #2 clause before we can commit to use it
- It is very risky to freeze C64 until a prototype is ready – potential impact on schedule

Proposal

1. Adopt solution #1 as an interim solution (accept it as a response for comment #403)
2. Resolve the deferred C64 comments assuming the solution #1
3. In parallel, work on prototype of solution #2. If/when the prototype is ready and offered to the TF as a new C64 (+ A64.A and A64.B), it should also incorporate all applicable comments, resolved to that date.