

91.3.2 PMD block diagram

The PMD sublayer is defined at the eight reference points shown in Figure 91–1 where the first digit represents the downstream direction and the second the upstream. Two points, TP2 and TP3, are compliance points. TP1, TP4, TP5 and TP8 are reference points for use by implementors. The optical transmit signal is defined at the output end of a patch cord (TP2), between 2 m and 5 m in length, of a fiber type consistent with the link type connected to the transmitter. Unless specified otherwise, all transmitter measurements and tests defined in @@Subclause 91.8@@ are made at TP2. The optical receive signal is defined at the output of the fiber optic cabling (TP3) connected to the receiver. Unless specified otherwise, all receiver measurements and tests defined in @@Subclause 91.8@@ are made at TP3.

The electrical specifications of the PMD service interface (TP1, TP4, TP5 and TP8) are not system compliance points (these are not readily testable in a system implementation). It is expected that in many implementations, the pairs of TP1 and TP4 as well as TP5 and TP8 will be common between Clause 91 PMDs.

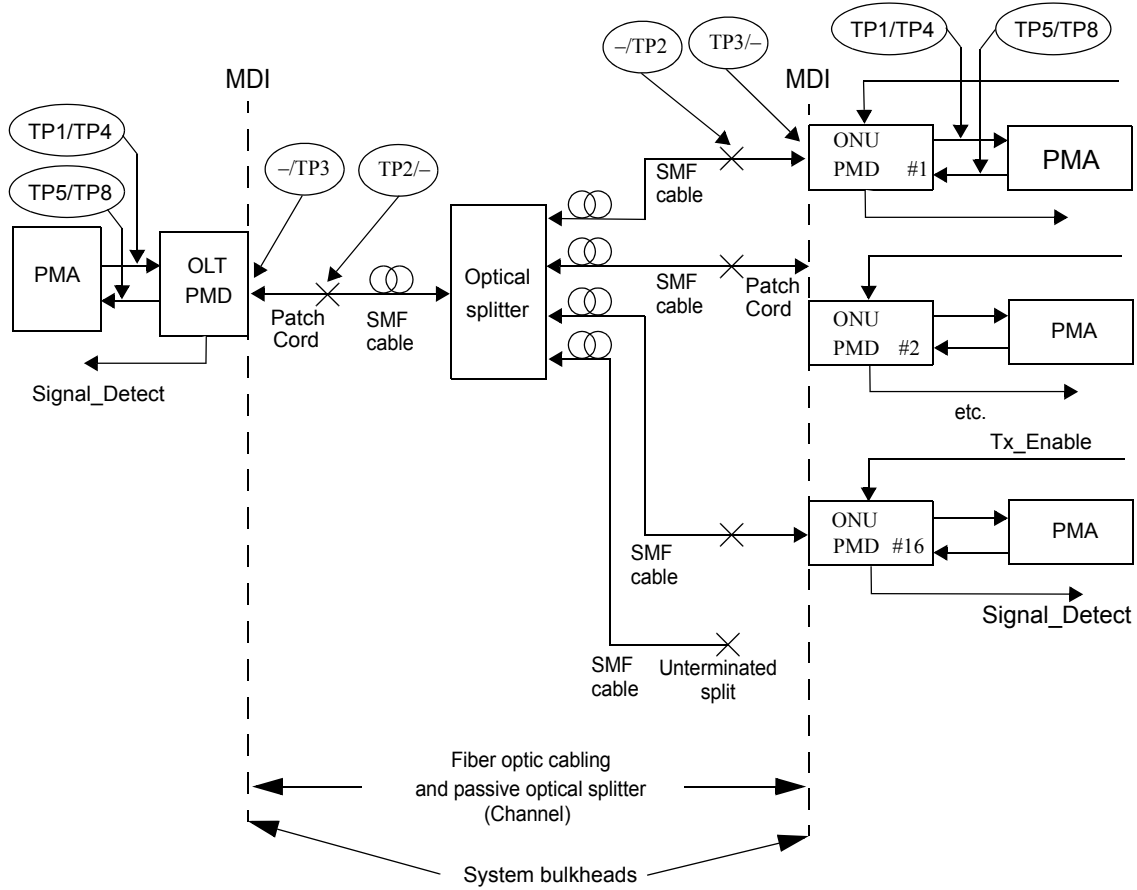


Figure 91–1—10GBASE-PR and 10/1GBASE-PRX block diagram

1
2
3
4
5
6
7
8
9
10
11
12
13
14
15
16
17
18
19
20
21
22
23
24
25
26
27
28
29
30
31
32
33
34
35
36
37
38
39
40
41
42
43
44
45
46
47
48
49
50
51
52
53
54

1
2
3
4
5
6
7
8
9
10
11
12
13
14
15
16
17
18
19
20
21
22
23
24
25
26
27
28
29
30
31
32
33
34
35
36
37
38
39
40
41
42
43
44
45
46
47
48
49
50
51
52
53
54