

2008-5-1

Security Level:

Synchronizer State machines

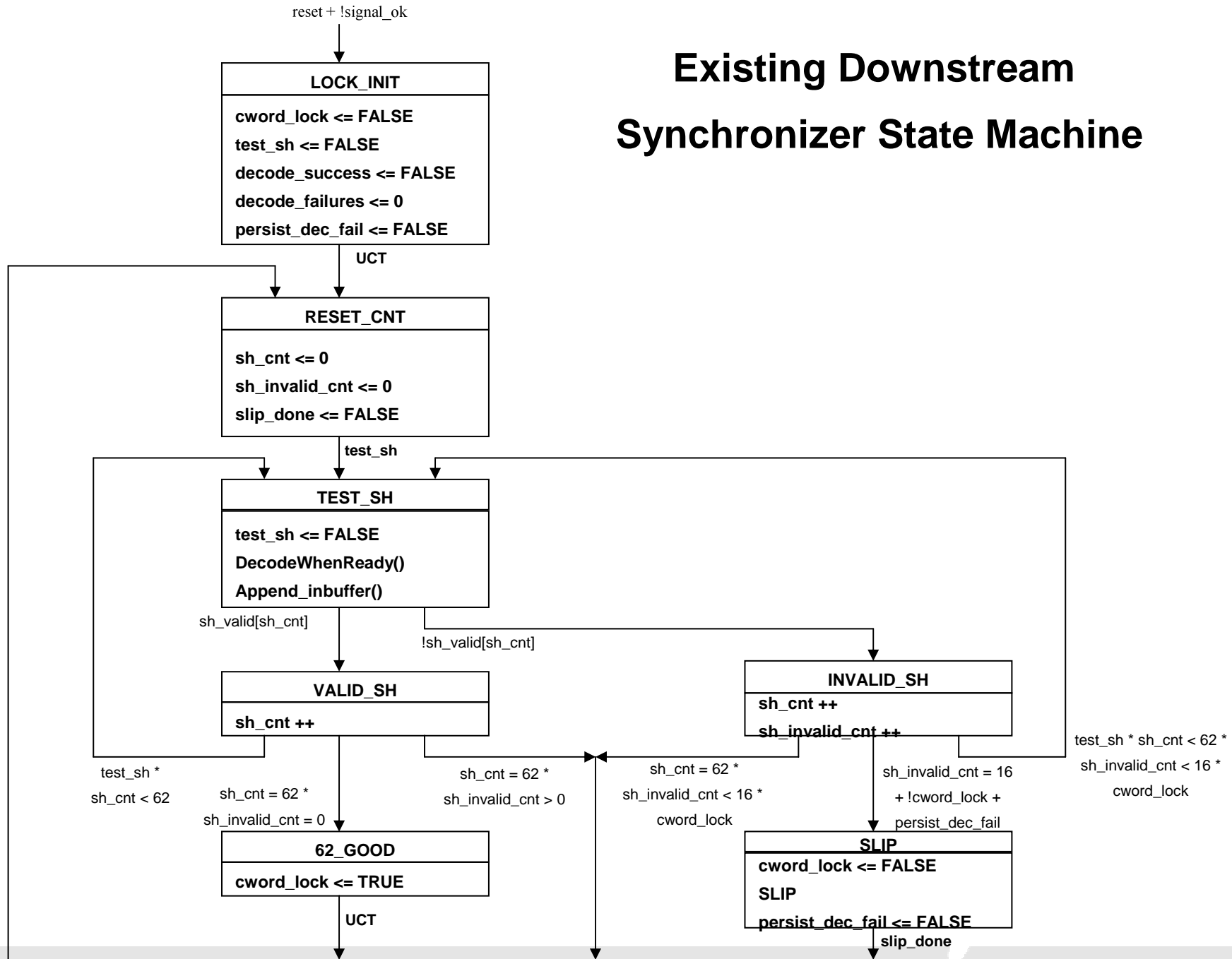
Frank Effenberger, Ou Peng
Raymond Leung, Dongning Feng

www.huawei.com

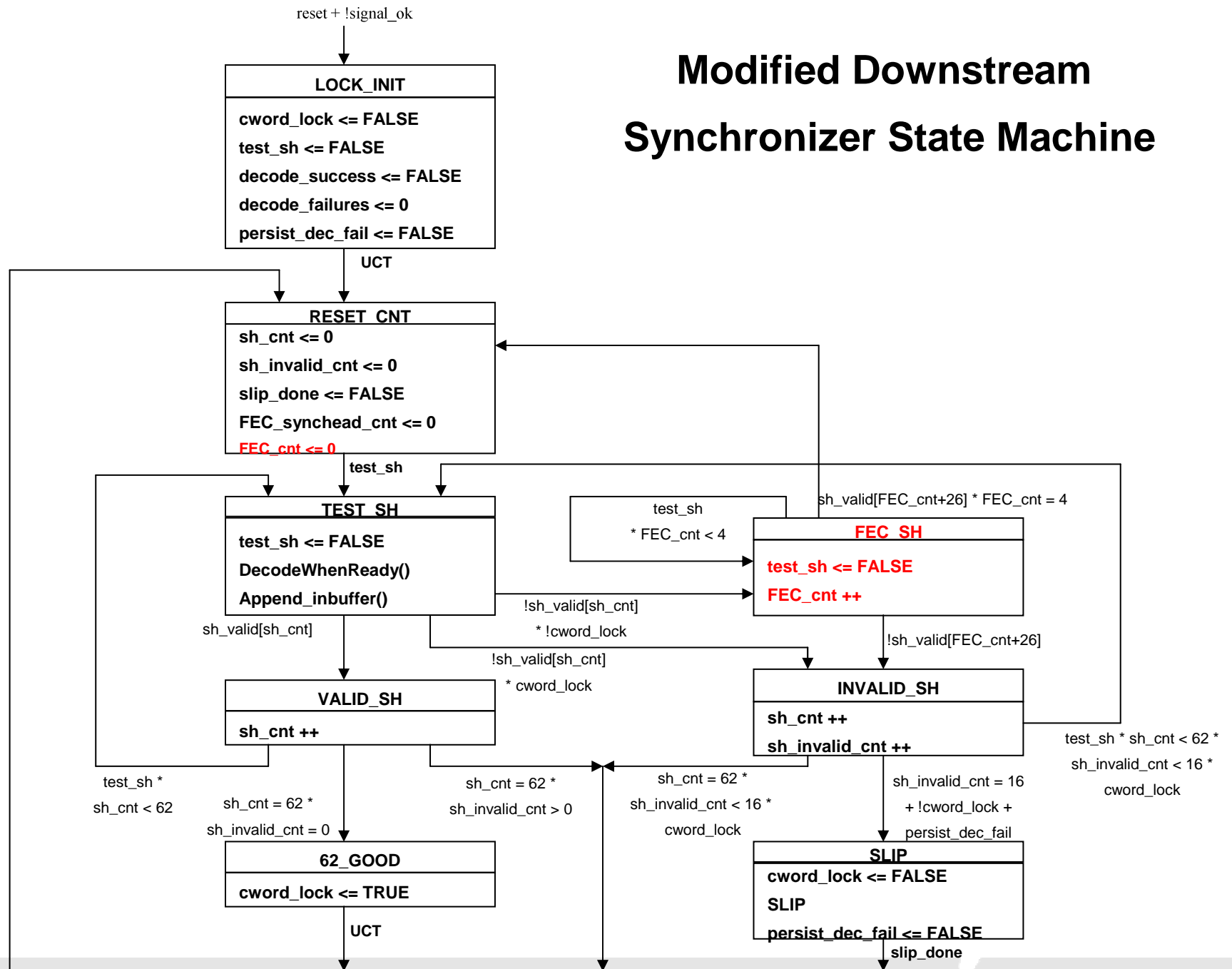
HUAWEI TECHNOLOGIES CO., LTD.



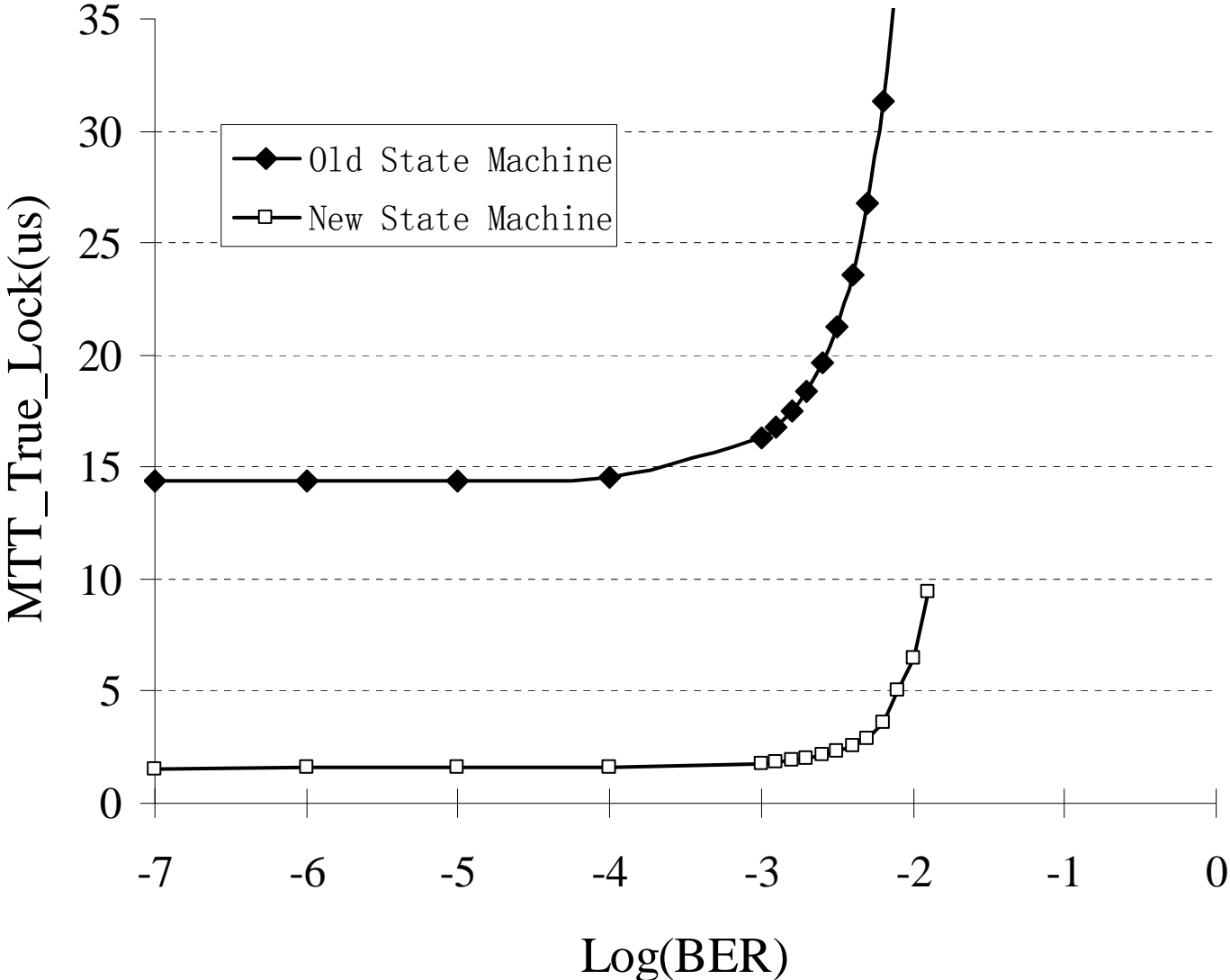
Existing Downstream Synchronizer State Machine



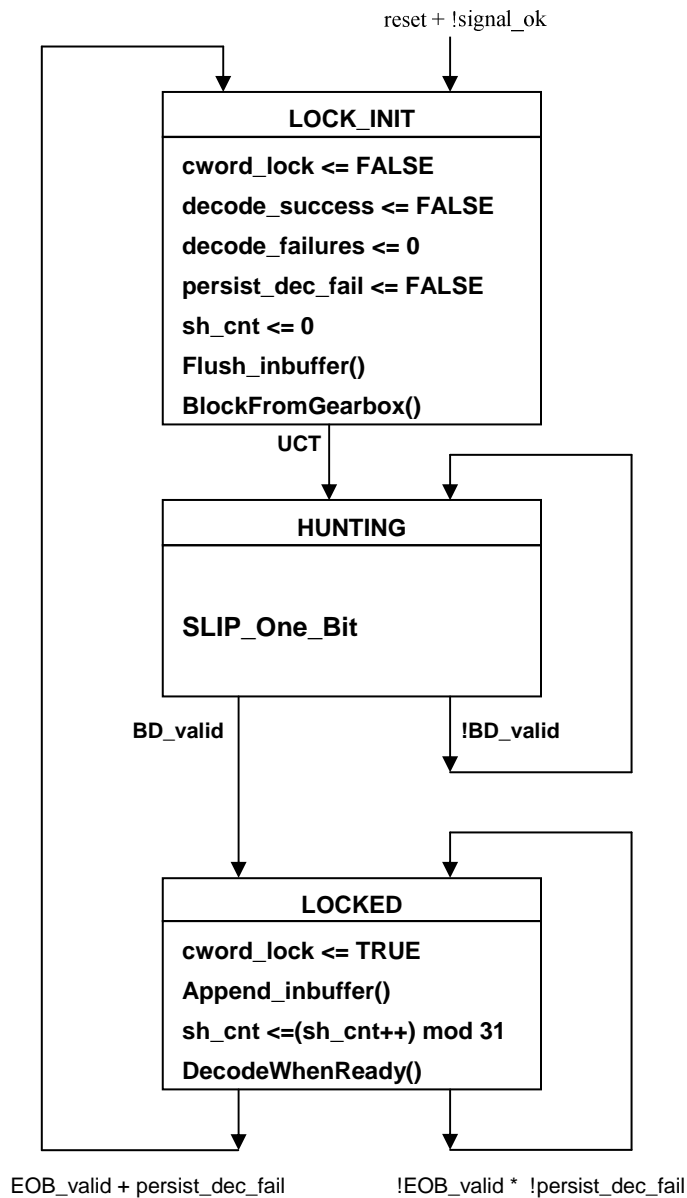
Modified Downstream Synchronizer State Machine



Synchronizer Performance Comparison



Proposed Upstream Synchronizer State Machine



New Variables:

BD_valid

Boolean indication that is set true if received block rx_coded matches the BURST_DELIMITER with less than 12 bits difference, and de-asserted otherwise. TYPE: boolean

EOB_valid

Boolean indication that is set true if the last 2 received blocks have less than 11 one bits in total, and deasserted otherwise. TYPE: boolean

New Function:

SLIP_One_Bit

Causes the next candidate block sync position to be tested. The next candidate must be exactly one bit later than the previous candidate – no burst alignments may be skipped.

Thank You

www.huawei.com