

Burst Terminator Implementation

Frank Effenberger
Huawei Technologies

Revise Fig. 92-15

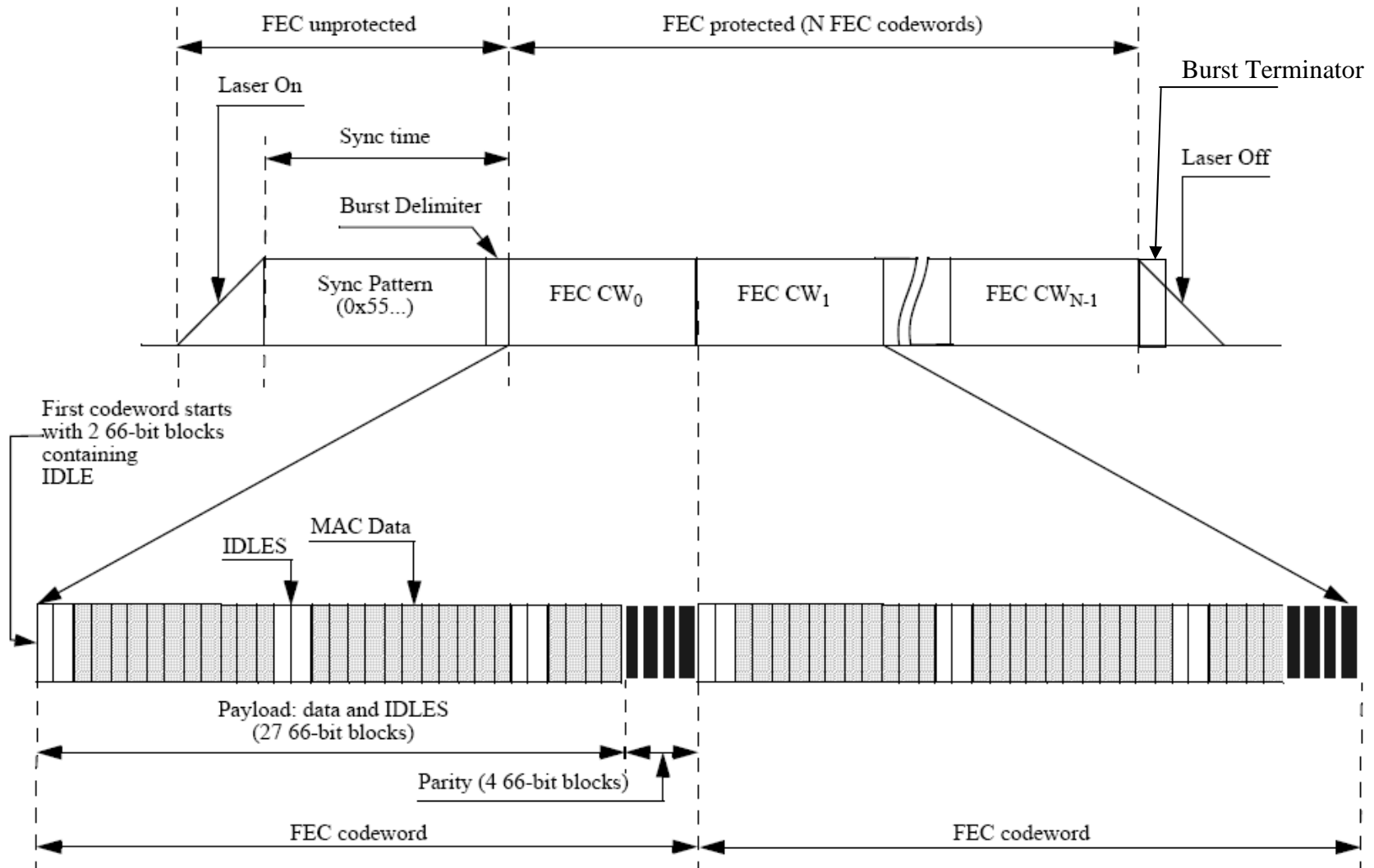


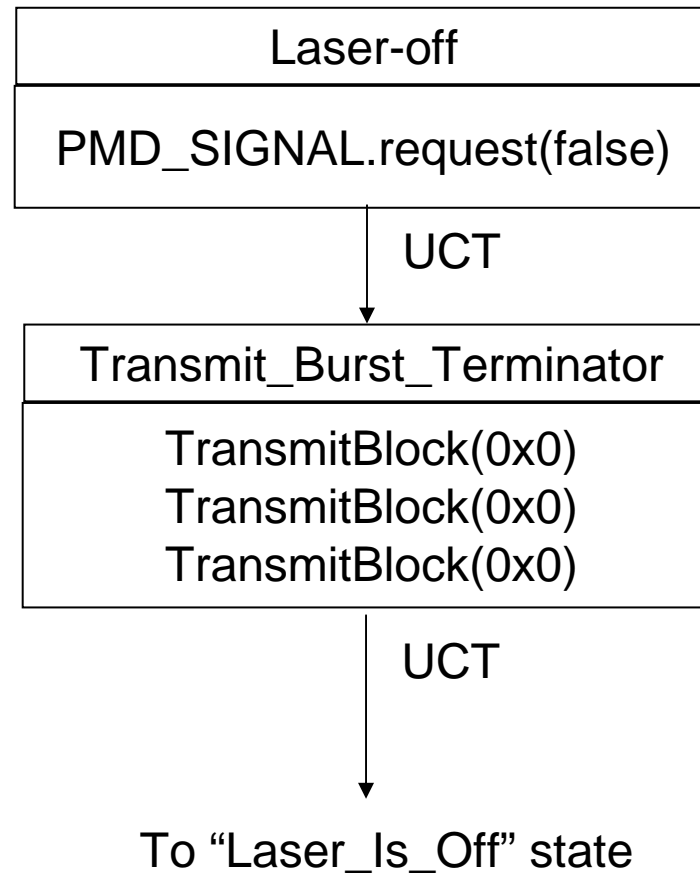
Figure 92-15—SyncTime Detail

Add paragraph at p.72, I.49

The ONU burst transmission ends with a burst terminator pattern of 3 blocks of all zeroes (see Figure 92–15). When received at the OLT, the burst terminator allows for the rapid reset of the OLT FEC synchronizer, so that it can search for the next burst. The burst terminator is not part of the last FEC codeword. Note that while the burst terminator is part of the ONU burst transmission, the laser-off commences at the beginning of the burst terminator. This is possible because transmitting all zeroes and turning the laser off are equivalent to the same thing: emit no light.

Modify Fig. 92-16

Add "Transmit burst terminator" state below "Laser off" state, as shown:



Clause 93

- I could not find any place where adding the burst terminator requires a change
 - Is this right?