

IEEE P802.3ba 40Gb/s and 100Gb/s Ethernet Task Force

Chief Editor's Report

Ilango Ganga, Intel
Editor-in-Chief, IEEE P802.3ba Task Force

Jan 25, 2010



Editorial Team

Editor	Affiliation	Responsibilities
Ilango Ganga	Intel	Editor-in-Chief Editor – Clauses 1, 4, 80, Annexes A, 4A,31B
Mark Gustlin	Cisco	Chair, Logic Sub-task Force Editor – Clauses 81, 82
Chris Di Minico	MC Communications	Chair, Copper Sub-task Force Editor – Clause 85, Annex 85A
Pete Anslow	Nortel	Chair, Optical Sub-task Force Editor – Clause 88
Hugh Barrass	Cisco	Editor – Clauses 30, 45
Arthur Marris	Cadence	Editor – Clauses 69, 73, 74, 84, Annexes 69A, 69B
Steve Trowbridge	Alcatel-Lucent	Editor – Clause 83, Annex 83C
Ryan Latchman	Gennum	Editor – Annexes 83A, 83B
Piers Dawe	Independent	Editor – Clause 52, 86, Annex 86A
Jonathan King	Finisar	Editor – Clause 87



Current status

- Editorial team generated P802.3ba-D3.0 for initial sponsor ballot
 - Initial Sponsor ballot: Nov 23, 2009 to Dec 23, 2009
 - Ballot scope: Entire Draft 3.0
- Draft 3.0: Received a total of 901 comments
 - TR comments: 187
 - ER comments: 49
 - GR comments: 1
 - T comments: 402
 - G comments: 7
 - E comments: 255
- Editorial team prepared proposed responses to all 901 comments
 - Proposed responses posted to P802.3ba website on Jan 21, 2010
 - <http://www.ieee802.org/3/ba/public/jan10/index.htm>
- Thanks to the Editorial team, volunteers and contributors for your efforts in releasing Draft 3.0 and for preparing proposed responses



Sponsor ballot results

	D3.0 Initial Sponsor ballot
Voters	143
Approve	89
Disapprove	21
Disapprove w/o comment	0
Abstain	6
Returns	116
Response rate	81%
Abstention rate	5%
Approval rate	80%

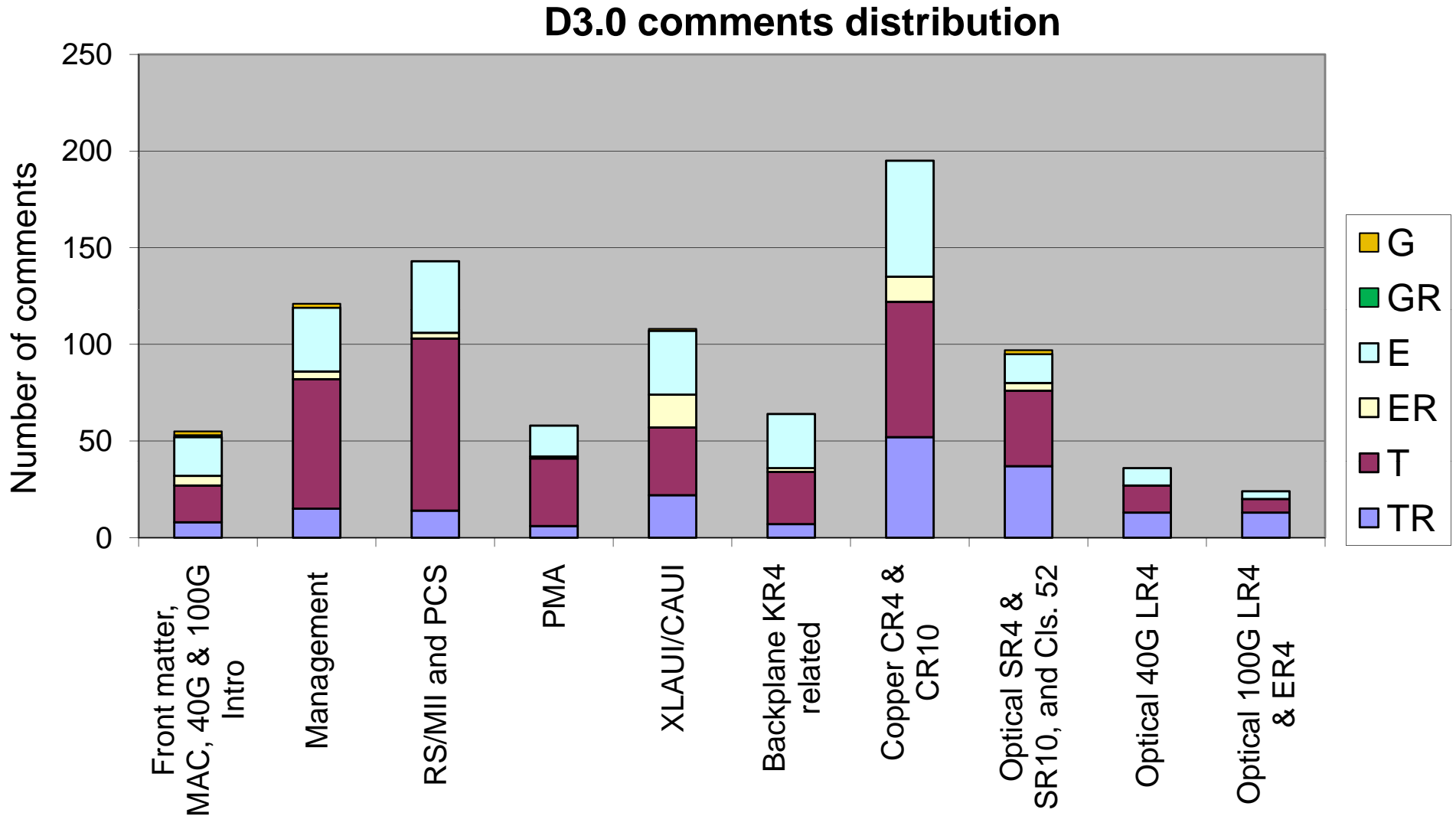
Ballot met required response rate $\geq 75\%$, abstention rate $< 30\%$, and approval rate $\geq 75\%$



D3.0 Comments report

Description	Editor	Clause	TR	T	ER	E	GR	G	Total
Front matter, MAC, 40G & 100G Intro	Ilango Ganga	99, 00, 01, A, 4, 4A, 31B, 80	8	19	5	20	1	2	55
Management	Hugh Barrass	30, 45	15	67	4	33	0	2	121
RS/MII and PCS	Mark Gustlin	81, 82	14	89	3	37	0	0	143
PMA	Steve Trowbridge	83, 83C	6	35	1	16	0	0	58
XLAUI/CAUI	Ryan Latchman	83A, 83B	22	35	17	33	0	1	108
Backplane KR4 related	Arthur Marris	69, 69A, 69B, 73, 74, 84	7	27	2	28	0	0	64
Copper CR4 & CR10	Chris Di Minico	85, 85A	52	70	13	60	0	0	195
Optical SR4 & SR10, and Cls. 52	Piers Dawe	86, 86A, 52	37	39	4	15	0	2	97
Optical 40G LR4	Jonathan King	87	13	14	0	9	0	0	36
Optical 100G LR4 & ER4	Pete Anslow	88	13	7	0	4	0	0	24
Total comments			187	402	49	255	1	7	901

D3.0 Comments distribution by category





Top meeting goals

- Resolve/respond to comments received on D3.0
 - Review all T/TR (589), G/GR (8), and ER (49) comments in the meeting
 - TRs, GRs, and ERs need signoff from commenters
 - Subject to availability of time, editorial comments E (255) may not be reviewed in the meeting and will be closed based on the proposed responses (as posted)
 - If you want to review any specific editorial comments, please bring it to the attention of the Sub-Task Force Chairs or Chief Editor
- Request to generate D3.1, for sponsor ballot recirculation, based on D3.0 and resolved comments



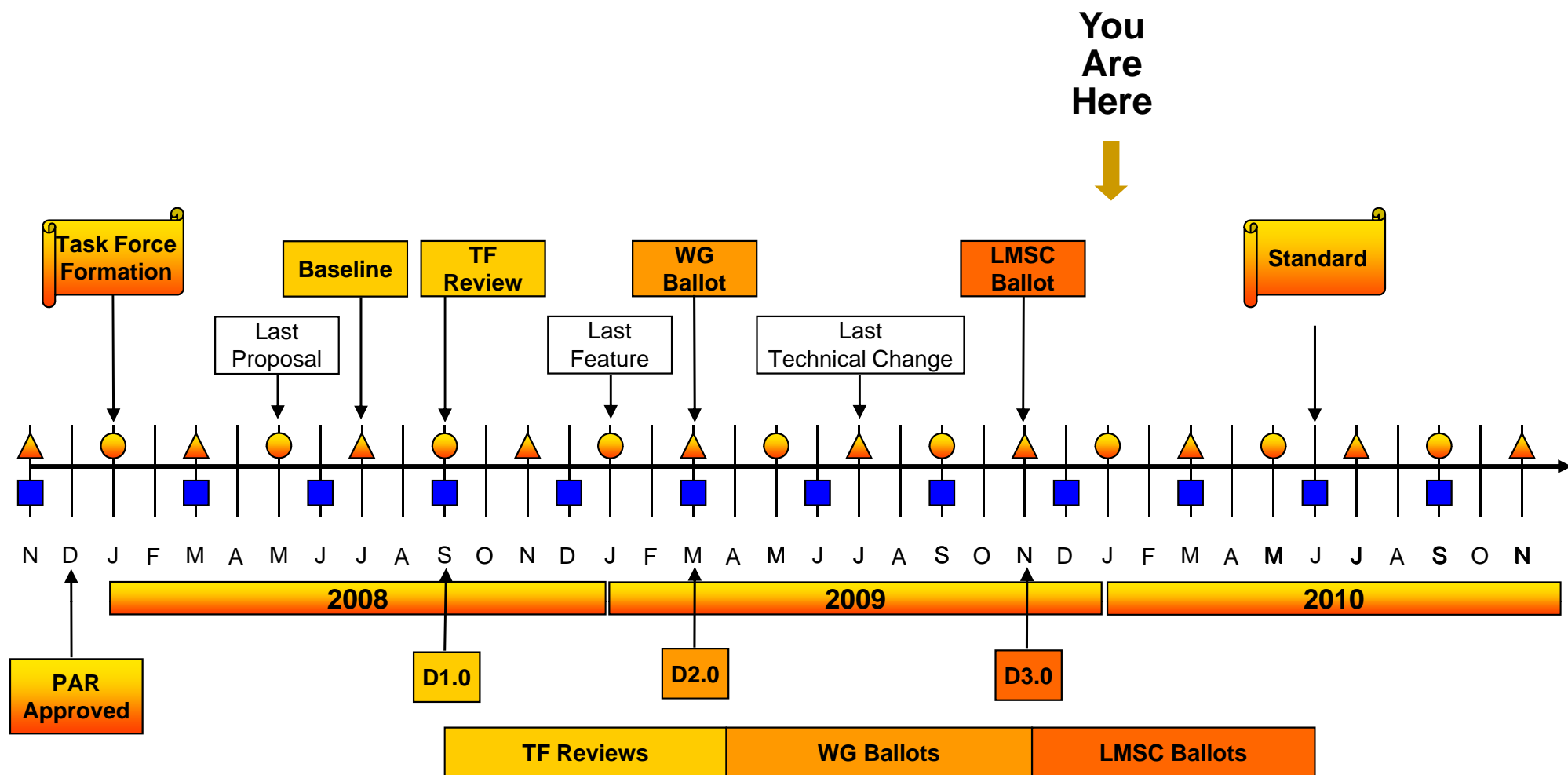
D3.0 Comment review

- The Task Force will meet in a single track on Mon after opening business for comment resolution
 - See “Combined Tracks Comment Resolution” presentation (anslow_05_0110)
- Comments will be reviewed in Logic, Copper, and Optical tracks in parallel on Tue & Wed
 - Logic track
 - Front matter, Clauses 01, A, 4, 4A, 30, 31B, 45, 73, 74, 80, 81,82, 83, 83C
 - Copper track
 - Clauses 69, 69A-C, 84, 85, and Annexes 85A, 83A & 83B
 - Optical track
 - Clauses 86, 87, 88, 52 and Annex 86A
 - See Logic, Cu, Optical Sub-Task Force opening reports for details
 - See gustlin_01_0110.pdf, diminico_01_0110.pdf, and anslow_01_0110pdf
- The Task Force will meet in a single track on Thu AM for closing business
- Presentations in support of comments will be heard as part of comment resolution when appropriate comments are taken up for review

* Combined optical & copper tracks will meet on Mon after dinner break and Wed PM

Note: See agenda_01_0110 for schedule and meeting outline; *schedule subject to change

IEEE P802.3ba Task Force Timeline



* Adopted by IEEE P802.3ba TF at March 08 Plenary

- Legend**
- ▲ IEEE 802 Plenary
 - IEEE 802.3 Interim
 - IEEE-SA Standards Board



Summary

- Resolve/respond to comments received on D3.0
- Request to generate D3.1, based on D3.0 and resolved comments
- Request to go to Sponsor ballot recirculation