

# IEEE P802.3ba 40Gb/s and 100Gb/s Ethernet Task Force



## Chief Editor's Closing Report

---

Ilango Ganga, Intel  
Editor-in-Chief, IEEE P802.3ba Task Force

July 16, 2009

# D2.0 Comments report (revised)

Description	Editor	Clause	TR	T	ER	E	Total
Front matter, MAC, 40G & 100G Intro	Ilango Ganga	99, 00, 01, A, 4, 4A, 31B, 80	13	4	7	15	39
Management	Hugh Barrass	30, 45	6	9	2	8	25
RS/MII and PCS	Mark Gustlin	81, 82	7	22	1	21	51
PMA	Steve Trowbridge	83, 83C	10	4	4	9	27
XLAUI/CAUI	Ryan Latchman	83A, 83B	24	4	10	4	42
Backplane KR4 related	Arthur Marris	69, 69A, 69B, 73, 74, 84	4	1	0	6	11
Copper CR4 & CR10	Chris Di Minico	85, 85A	58	42	12	12	124
Optical SR4 & SR10, and Cls. 52	Piers Dawe	86, 86A, 52	21	23	7	20	71
Optical 40G LR4	Jonathan King	87	1	16	2	6	25
Optical 100G LR4 & ER4	Pete Anslow	88	4	4	2	2	12
Total comments			148	129	47	103	427

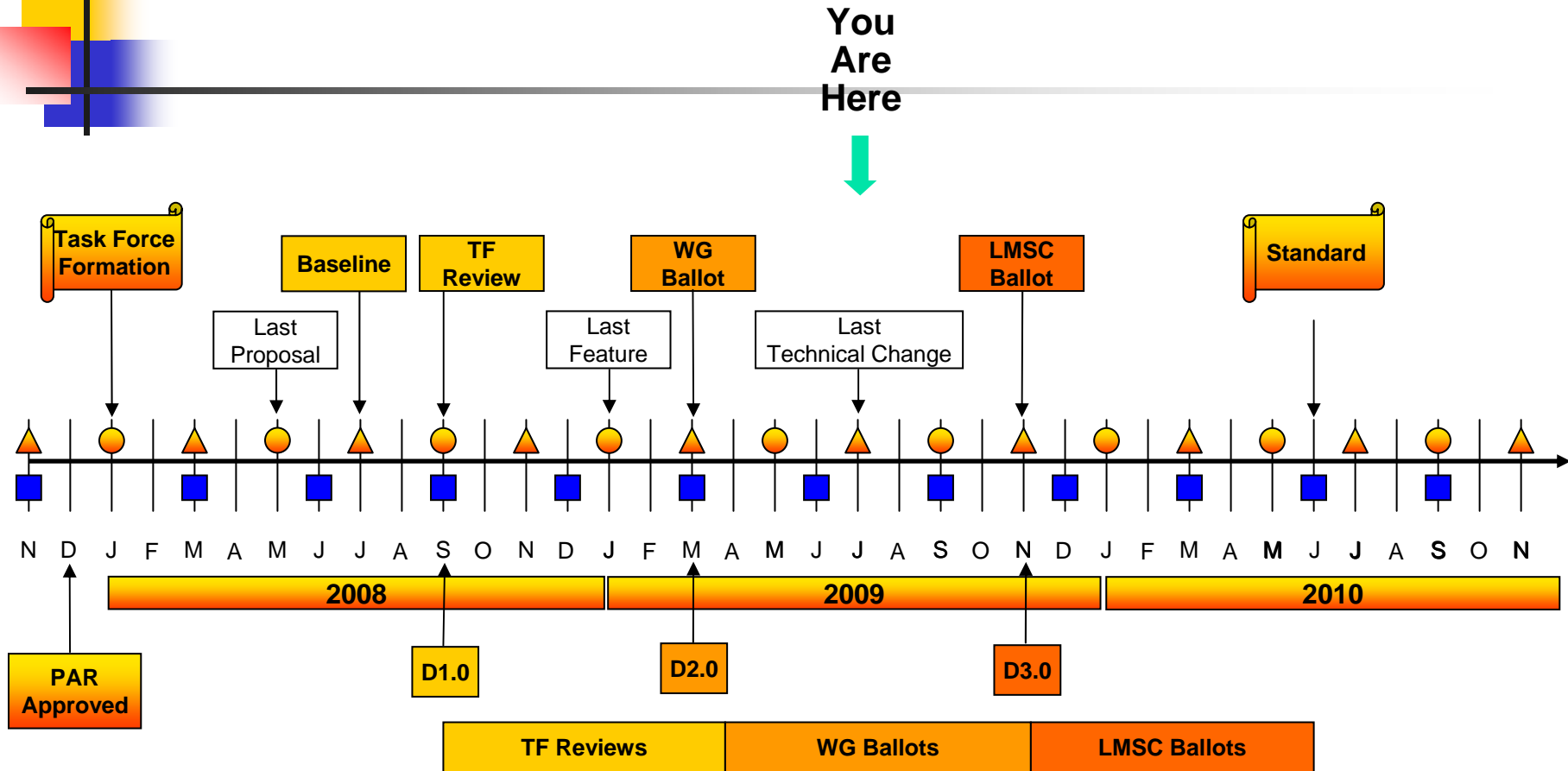


# Progress made in the meeting

---

- Achieved all meeting goals
- Resolve/respond to comments received on D2.1
  - Reviewed all T(129), TR (148) and ERs (47) in the meeting
  - TRs and ERs need signoff from commenters
  - Reviewed 15 out of 103 Es in the meeting, the rest of the editorial comments (E) will be closed by the Editorial team as per proposed responses recorded in the database.
- Request to generate D2.2, for WG recirculation, based on D2.1 and recorded comments in the database
- Thanks to the Task Force, Editorial team, volunteers and contributors for your efforts in reviewing and resolving the comments during the meeting

# IEEE P802.3ba Task Force Timeline



\* Adopted by IEEE P802.3ba TF at March 08 Plenary

**Legend**

- ▲ IEEE 802 Plenary
- IEEE 802.3 Interim
- IEEE-SA Standards Board

# Proposed schedule till Sponsor ballot

SI.#	Description	Date	Day	# of business days	# of calendar days	Status/Remarks
	Mar Plenary meeting (Mar 9 to Mar 12)	12-Mar	Thu			
	Initial Working Group ballot D2.0 - Opens	12-Mar	Thu			Done
	Initial Working Group ballot D2.0 - Closes	16-Apr	Thu		35	Done
	Proposed response posted	30-Apr	Thu	10		Done
	May interim meeting ends (May 4 to May 7)	7-May	Thu			
	D2.1 Editing starts on following Mon	11-May	Mon			
	First WG ballot recirculation D2.1 - Opens	1-Jun	Mon	15		Cut down peer review
	First WG ballot recirculation D2.1 - Closes	26-Jun	Fri		25	25 day circulation
	Proposed response posted	9-Jul	Thu	9		
	July Plenary meeting (Jul 13 to Jul 16)	16-Jul	Thu			
	D2.2 Editing starts on following Mon	20-Jul	Mon			
	Second WG ballot recirculation D2.2 - Opens	19-Aug	Wed	22		
	Second WG ballot recirculation D2.2 - Closes	3-Sep	Thu		15	15 day recirc
	Proposed response posted	17-Sep	Thu	10		
	Sep interim meeting (Sep 21 to Sep 24)	24-Sep	Thu			
	D2.3 Editing starts on following Mon	28-Sep	Mon			
	Third WG ballot recirculation D2.3 - Opens	14-Oct	Wed	12		**2wks+2d for draft complete!!
	Third WG ballot recirculation D2.3 - Closes	29-Oct	Thu		15	15 day recirc
	Proposed response posted	12-Nov	Thu	10		Requirement to req Sponsor ballot: No new negative votes and No substantive (normative) changes
	Nov Plenary meeting (Nov 16 to Nov 19)	19-Nov	Thu			D3.0 ready at closing plenary
	D3.0 Document ready	20-Nov	Fri	1		EC approval on Friday 11/20
	Initial Sponsor ballot D3.0 - Opens	1-Dec	Tue	7		Requires 5 business days before ballot + 2 days for Thanksgiving
	Initial Sponsor ballot D3.0 - Closes	31-Dec	Thu		30	Min 30 day electronic ballot
	Proposed response posted	14-Jan	Thu	10		Including new year holiday
	Jan interim meeting (Jan 18 to Jan 21) Estimated	21-Jan	Thu			Dates may move + 1 wk



# Summary

---

- Resolved/Responded to comments received on D2.1
  - Please email to the Chair, STF Chairs, or Chief Editor if you are satisfied with resolution to your TR/ER comments
- Request to generate D2.2, based on D2.1 and as per recorded comments in the database
- Request to go to 15 day WG recirculation as appropriate