

IEEE P802.3ba 40Gb/s and 100Gb/s Ethernet Task Force

Chief Editor's Report

Ilango Ganga, Intel
Editor-in-Chief, IEEE P802.3ba Task Force

Mar 16, 2010

Editorial Team

Editor	Affiliation	Responsibilities
Ilango Ganga	Intel	Editor-in-Chief Editor – Clauses 1, 4, 80, Annexes A, 4A,31B
Mark Gustlin	Cisco	Chair, Logic Sub-task Force Editor – Clauses 81, 82
Chris Di Minico	MC Communications	Chair, Copper Sub-task Force Editor – Clause 85, Annex 85A
Pete Anslow	Nortel	Chair, Optical Sub-task Force Editor – Clause 88
Hugh Barrass	Cisco	Editor – Clauses 30, 45
Arthur Marris	Cadence	Editor – Clauses 69, 73, 74, 84, Annexes 69A, 69B
Steve Trowbridge	Alcatel-Lucent	Editor – Clause 83, Annex 83C
Ryan Latchman	Gennum	Editor – Annexes 83A, 83B
Piers Dawe	IPtronics	Editor – Clause 52, 86, Annex 86A
Jonathan King	Finisar	Editor – Clause 87



Current status

- Editorial team generated P802.3ba-D3.1 for first sponsor ballot recirc.
 - First Sponsor ballot recirculation: Opened: Feb 12; Closed: Feb 27, 2010
 - Ballot scope: Substantive changes to create Draft 3.1 from D3.0 and unsatisfied negative votes from D3.0
- Draft 3.1: Received a total of 200 comments
 - TR comments: 71
 - ER comments: 23
 - GR comments: 1
 - T comments: 46
 - G comments: 0
 - E comments: 59
- Editorial team prepared proposed responses to all 200 comments
 - Proposed responses posted to P802.3ba website on Mar 11, 2010
 - <http://www.ieee802.org/3/ba/public/mar10/index.htm>
- Thanks to the Editorial team, volunteers and contributors for your efforts in releasing Draft 3.1 and for preparing proposed responses



Sponsor ballot results

	D3.0 Initial Sponsor ballot	D3.1 First Sponsor ballot recirc
Voters	143	143
Approve	89	97
Disapprove	21	17
Disapprove w/o comment	0	0
Abstain	6	6
Returns	116	120
Response rate	81%	83%
Abstention rate	5%	5%
Approval rate	80%	85%

Ballot met required response rate $\geq 75\%$, abstention rate $< 30\%$, and approval rate $\geq 75\%$

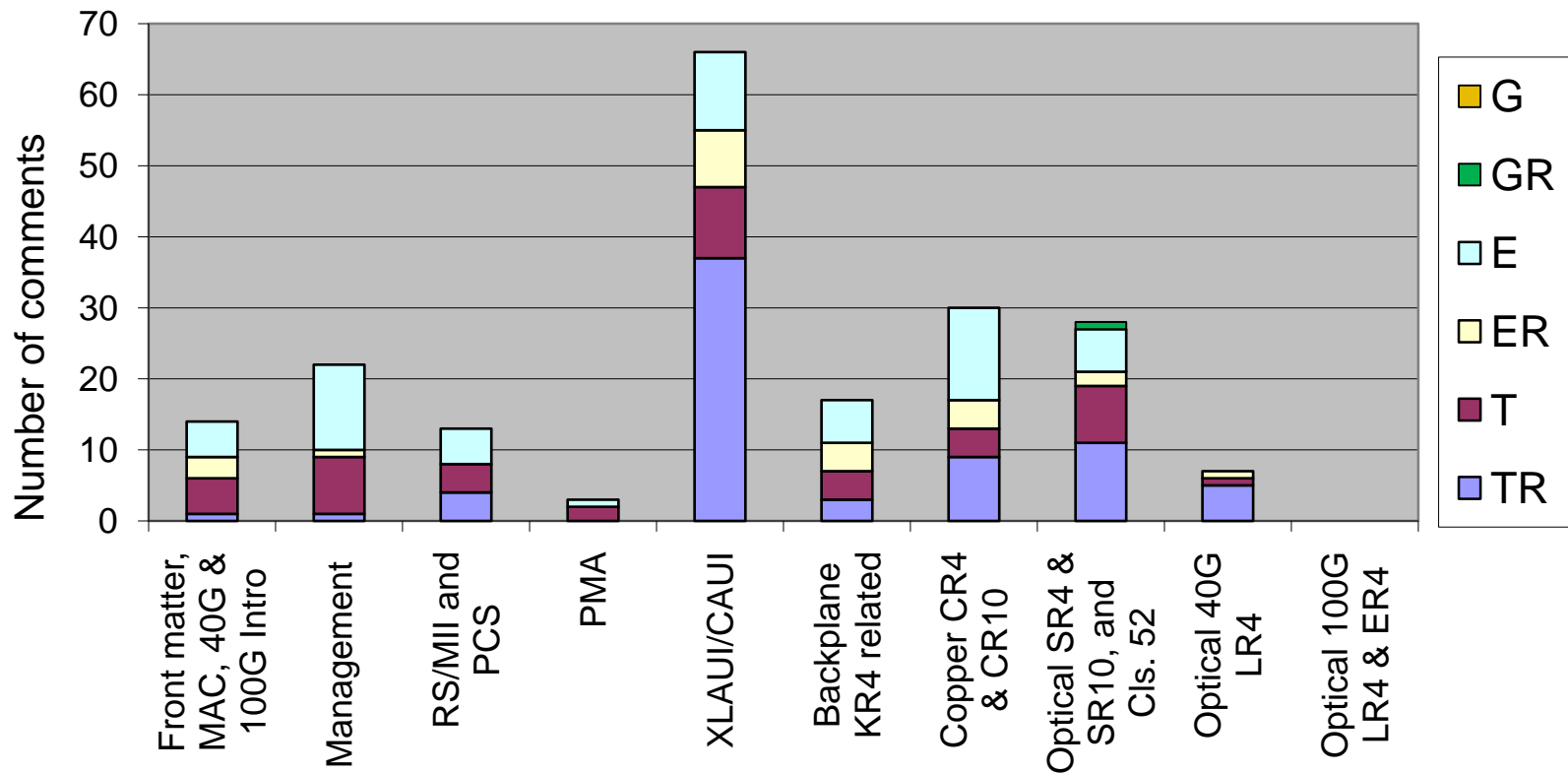


D3.1 Comments report

Description	Editor	Clause	TR	T	ER	E	GR	G	Total
Front matter, MAC, 40G & 100G Intro Management	Ilango Ganga	99, 00, 01, A, 4, 4A, 31B, 80	1	5	3	5	0	0	14
RS/MII and PCS	Hugh Barrass	30, 45	1	8	1	12	0	0	22
PMA	Mark Gustlin	81, 82	4	4	0	5	0	0	13
XLAUI/CAUI	Steve Trowbridge	83, 83C	0	2	0	1	0	0	3
Backplane KR4 related	Ryan Latchman	83A, 83B	37	10	8	11	0	0	66
Copper CR4 & CR10	Arthur Marris	69, 69A, 69B, 73, 74, 84	3	4	4	6	0	0	17
Optical SR4 & SR10, and Cls. 52	Chris Di Minico	85, 85A	9	4	4	13	0	0	30
Optical 40G LR4	Piers Dawe	86, 86A, 52	11	8	2	6	1	0	28
Optical 100G LR4 & ER4	Jonathan King	87	5	1	1	0	0	0	7
Total comments	Pete Anslow	88	0	0	0	0	0	0	0
			71	46	23	59	1	0	200

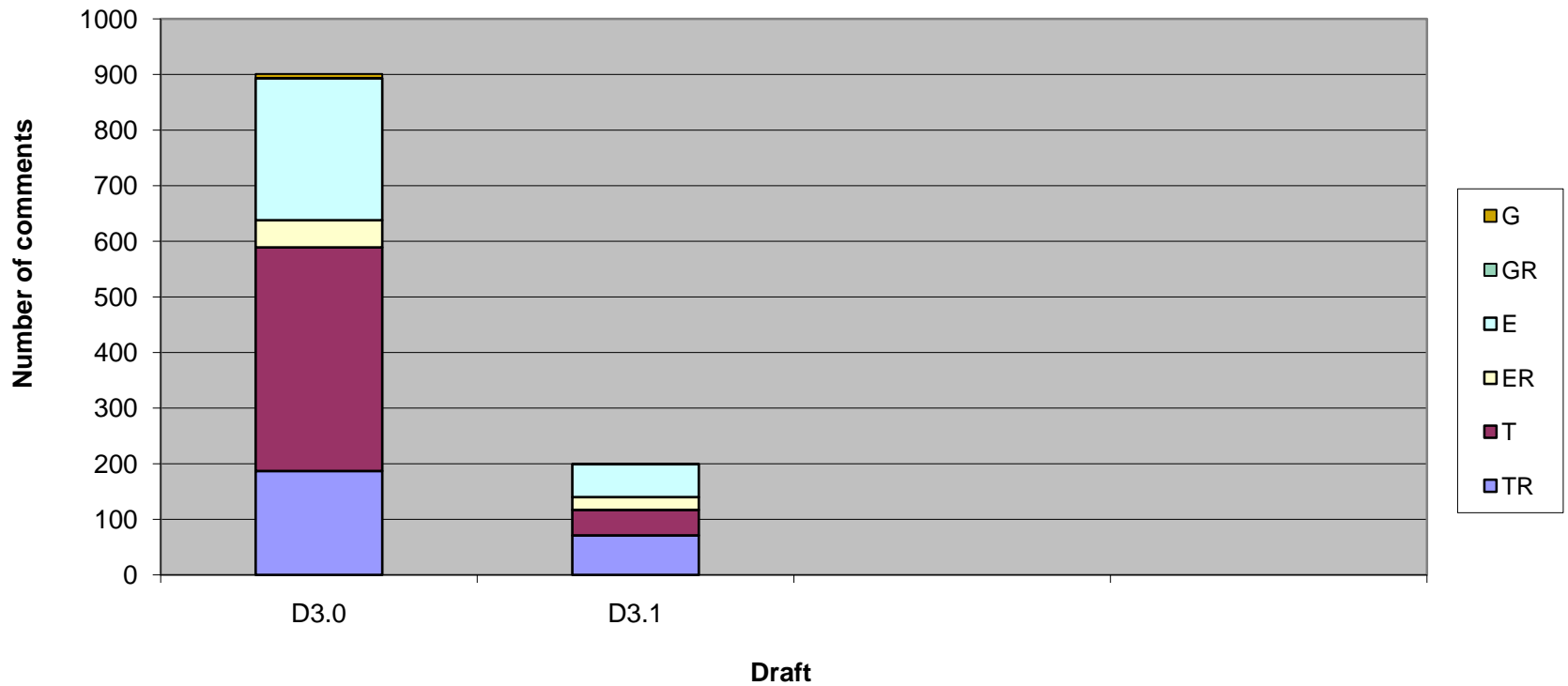
D3.1 Comments distribution by category

D3.1 comment distribution

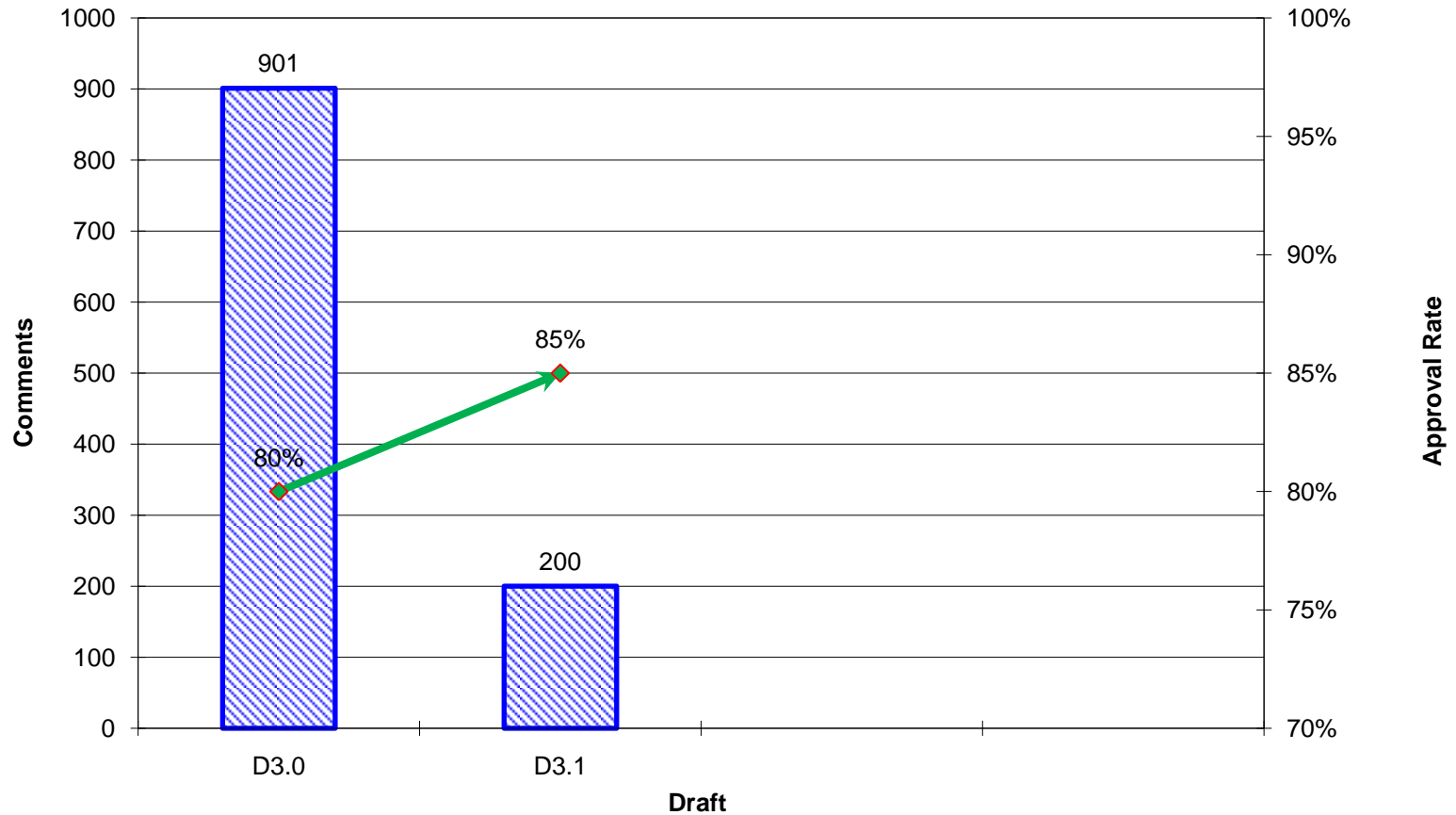


Comments history

P802.3ba Sponsor ballot comment history

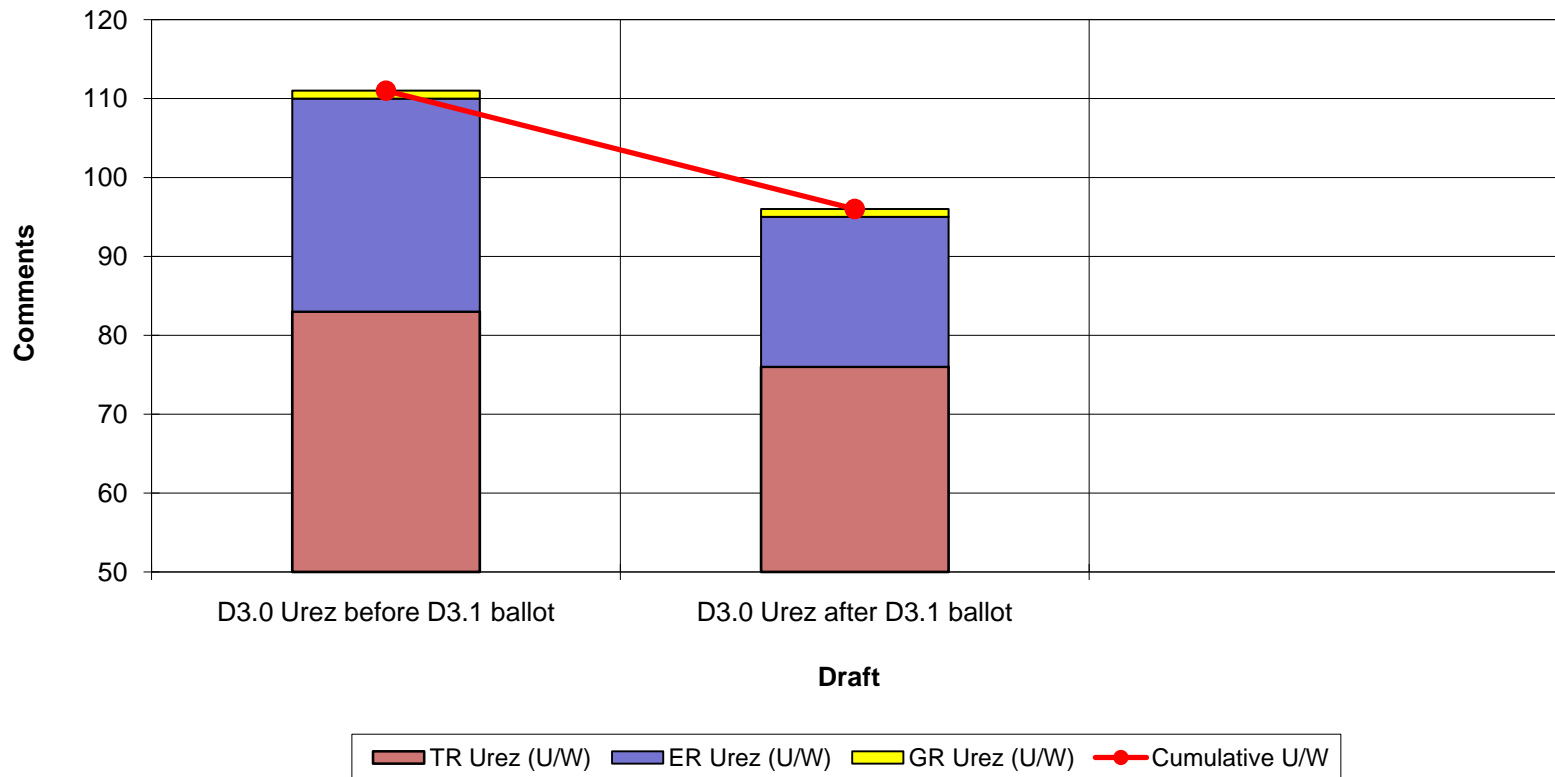


Approval rate history



Unresolved comments history

P802.3ba WG ballot unresolved comments history





Top meeting goals

- Resolve/respond to all comments received on D3.1
 - Review all T/TR (117), G/GR (1), and E/ER (82) comments in the meeting
 - TRs, GRs, and ERs need signoff from commenters
 - Close all issues at this meeting
- Request to generate D3.2 for sponsor ballot recirculation, based on D3.1 and resolved comments

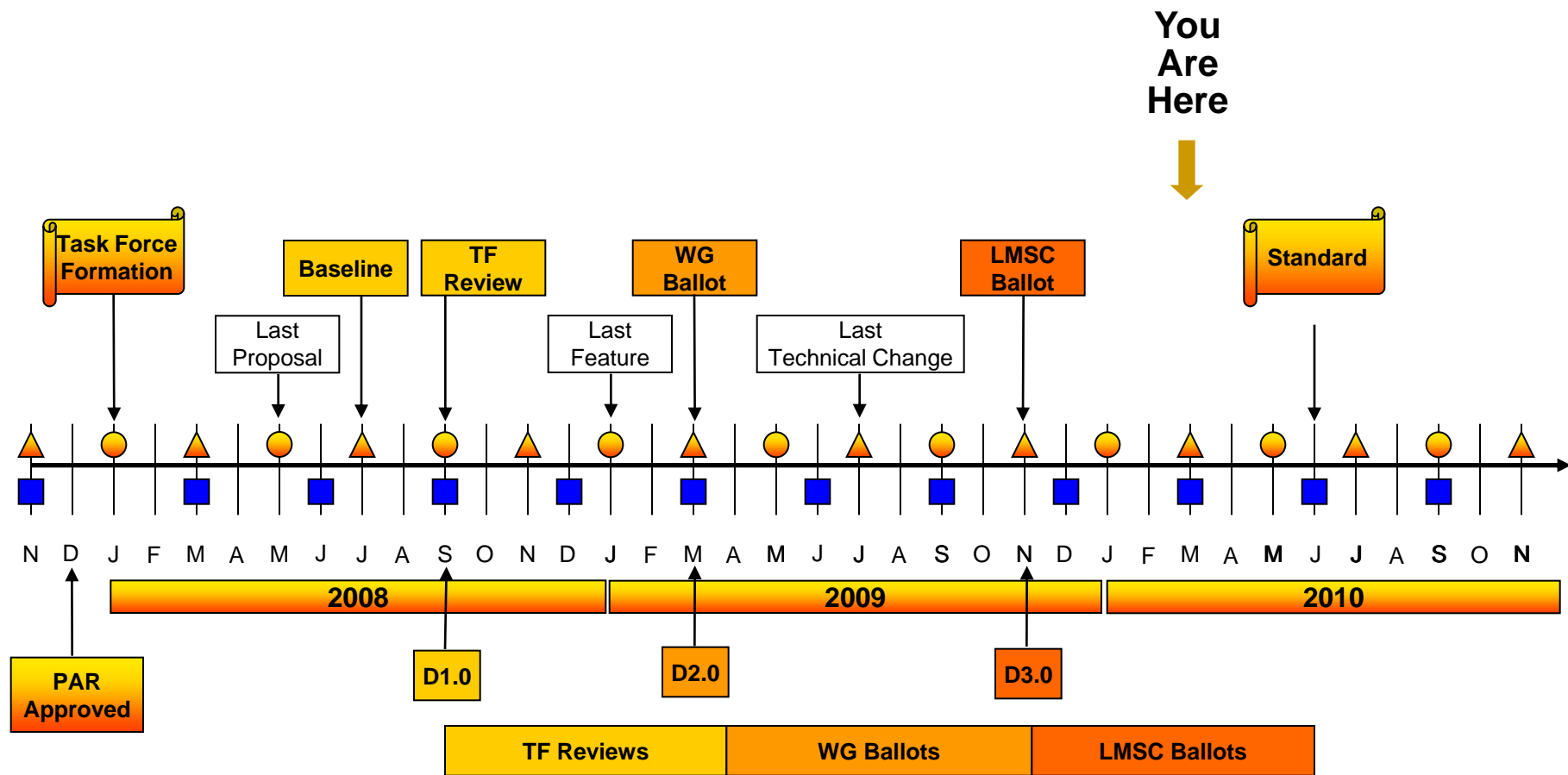


D3.1 Comment review

- The Task Force will meet in a single track on Tue after opening business for comment resolution
 - See “Combined Tracks Comment Resolution” presentation (anslow_04_0310)
- Comments will be reviewed in Logic, Copper, and Optical tracks in parallel on Tue (after common track business) & Wed (all day)
 - Logic track
 - Front matter, Clauses 01, A, 4, 4A, 30, 31B, 45, 73, 74, 80, 81,82, 83, 83C
 - Copper track
 - Clauses 69, 69A-C, 84, 85, and Annexes 85A, 83A & 83B
 - Optical track
 - Clauses 86, 87, 88, 52 and Annex 86A
 - See Logic, Copper, Optical Sub-Task Force opening reports for details
 - See [gustlin_01_0310.pdf](#), [diminico_01_0310.pdf](#), and [anslow_01_0310pdf](#)
- The Task Force will meet in a single track on Thu AM for closing business
- Presentations in support of comments will be heard as part of comment resolution when appropriate comments are taken up for review

Note: See [agenda_01_0310](#) for schedule and meeting outline; *schedule subject to change

IEEE P802.3ba Task Force Timeline



* Adopted by IEEE P802.3ba TF at March 08 Plenary

Legend

- ▲ IEEE 802 Plenary
- IEEE 802.3 Interim
- IEEE-SA Standards Board



Proposed sponsor ballot schedule

Proposed P802.3ba Sponsor ballot schedule

SI.#	Description	Date	Day	# of business days	# of calendar days	Status/Remarks
	Sponsor ballot					
	Initial Sponsor ballot D3.0 - Opens	23-Nov	Mon			
	Initial Sponsor ballot D3.0 - Closes	23-Dec	Wed		30	Done
	Jan interim meeting (Jan 25 to Jan 28)	28-Jan	Thu			
	D3.1 Draft ready	11-Feb	Thu	10		Done
	First Sponsor ballot recirculation D3.1 - Opens	12-Feb	Fri	1		
	First Sponsor ballot recirculation D3.1 - Closes	27-Feb	Sat		15	Done
	Proposed response posted	11-Mar	Thu	9		
	Mar 2010 Plenary meeting (Mar 15 to Mar 18)	18-Mar	Thu			30 day notice for April meeting, Request conditional approval from WG
	D3.2 Draft Ready	25-Mar	Thu	5		
	Second Sponsor ballot recirculation D3.2 - Opens	1-Apr	Thu	5		Ballot may open earlier
	Second Sponsor ballot recirculation D3.2 - Closes	16-Apr	Fri		15	15 day recirculation
	Proposed response posted	19-Apr	Mon	1		
	Half day April interim meeting (Apr 20th)	20-Apr	Tue			
	RevCom submittal	7-May	Fri			Revcom submittal on May 7th
	Jun SASB meeting	17-Jun	Thu			SASB meeting Jun 17 2010
	Final ratification	17-Jun	Thu			



Summary

- Resolve/respond to comments received on D3.1
 - Close all issues at this meeting
- Request to generate D3.2, based on D3.1 and resolved comments
- Request to go to second Sponsor ballot recirculation