

IEEE P802.3ba 40Gb/s and 100Gb/s Ethernet Task Force



Chief Editor's Closing Report

Ilango Ganga, Intel
Editor-in-Chief, IEEE P802.3ba Task Force

Mar 18, 2010

Editorial Team

Editor	Affiliation	Responsibilities
Ilango Ganga	Intel	Editor-in-Chief Editor – Clauses 1, 4, 80, Annexes A, 4A,31B
Mark Gustlin	Cisco	Chair, Logic Sub-task Force Editor – Clauses 81, 82
Chris Di Minico	MC Communications	Chair, Copper Sub-task Force Editor – Clause 85, Annex 85A
Pete Anslow	Nortel	Chair, Optical Sub-task Force Editor – Clause 88
Hugh Barrass	Cisco	Editor – Clauses 30, 45
Arthur Marris	Cadence	Editor – Clauses 69, 73, 74, 84, Annexes 69A, 69B
Steve Trowbridge	Alcatel-Lucent	Editor – Clause 83, Annex 83C
Ryan Latchman	Gennum	Editor – Annexes 83A, 83B
Piers Dawe	IPtronics	Editor – Clause 52, 86, Annex 86A
Jonathan King	Finisar	Editor – Clause 87



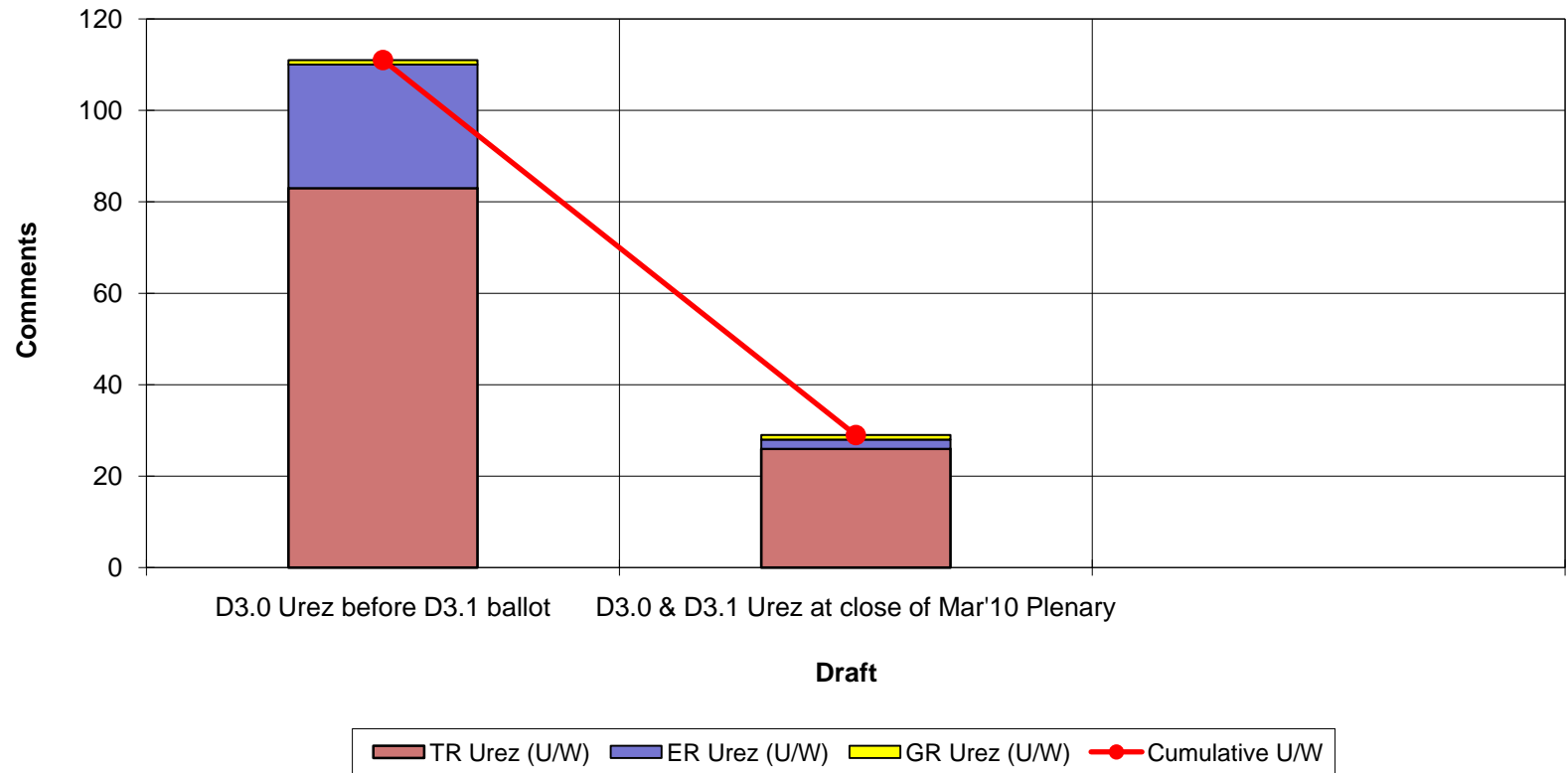
Progress at the meeting

Achieved the meeting goals

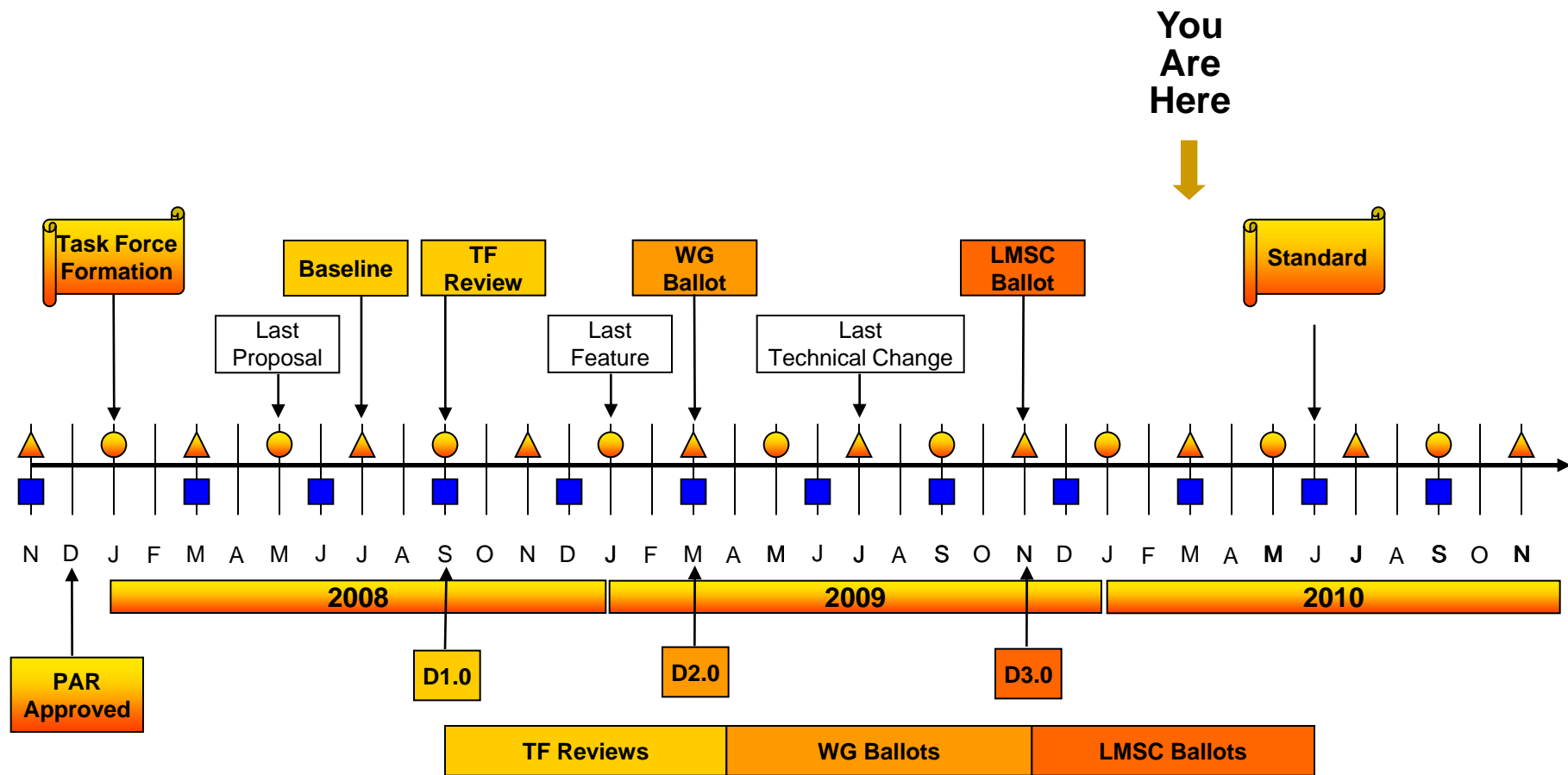
- Resolved/responded to all 200 comments received on D3.1
 - Reviewed all T/TR (117), G/GR (1), and E/ER (82) comments in the meeting
 - TRs, ERs, GRs need signoff from commenters
- Request to generate D3.2, for Sponsor recirculation ballot, based on D3.1 and recorded comments in the database
 - Generated preview copy of Draft 3.2Pre for Task Force preview
- Thanks to the Task Force, Editorial team, volunteers and contributors for your efforts in reviewing and resolving the comments during the meeting

Unresolved comments history

P802.3ba WG ballot unresolved comments history



IEEE P802.3ba Task Force Timeline



* Adopted by IEEE P802.3ba TF at March 08 Plenary

- Legend**
- ▲ IEEE 802 Plenary
 - IEEE 802.3 Interim
 - IEEE-SA Standards Board



Proposed sponsor ballot schedule

Proposed P802.3ba Sponsor ballot schedule

SI.#	Description	Date	Day	# of business days	# of calendar days	Status/Remarks
	Sponsor ballot					
	Initial Sponsor ballot D3.0 - Opens	23-Nov	Mon			
	Initial Sponsor ballot D3.0 - Closes	23-Dec	Wed		30	Done
	Jan interim meeting (Jan 25 to Jan 28)	28-Jan	Thu			
	D3.1 Draft ready	11-Feb	Thu	10		Done
	First Sponsor ballot recirculation D3.1 - Opens	12-Feb	Fri	1		
	First Sponsor ballot recirculation D3.1 - Closes	27-Feb	Sat		15	Done
	Proposed response posted	11-Mar	Thu	9		
	Mar 2010 Plenary meeting (Mar 15 to Mar 18)	18-Mar	Thu			30 day notice for April meeting, Request conditional approval from WG
	D3.2 Draft Ready	25-Mar	Thu	5		
	Second Sponsor ballot recirculation D3.2 - Opens	1-Apr	Thu	5		Ballot may open earlier
	Second Sponsor ballot recirculation D3.2 - Closes	16-Apr	Fri		15	15 day recirculation
	Proposed response posted	19-Apr	Mon	1		
	Half day April interim meeting (Apr 20th)	20-Apr	Tue			
	RevCom submittal	7-May	Fri			Revcom submittal on May 7th
	Jun SASB meeting	17-Jun	Thu			SASB meeting Jun 17 2010
	Final ratification	17-Jun	Thu			



Summary

- Resolved/responded to all comments received on D3.1
- Request to generate D3.2, for Sponsor recirculation ballot, based on D3.1 and recorded comments in the database