




IEEE P802.3ba 40Gb/s and 100Gb/s Ethernet

Opening Plenary Report

Atlanta, GA, USA
Nov 2009

John D'Ambrosia
jdambrosia@ieee.org



IEEE P802.3ba Task Force Officers and Editors

<u>John D'Ambrosia</u>	Task Force Chair
<u>Ilango Ganga</u>	Task Force Chief Editor Editor – Clauses 1, 4, 80, Annexes A, 4A
<u>Mark Gustlin</u>	Chair, “Logic” Sub-task Force Editor – Clauses 81, 82
<u>Chris DiMinico</u>	Chair, “Cu” Sub-task Force Editor – Clause 85
<u>Pete Anslow</u>	Chair, “Optical” Sub-task Force Editor – Clause 88
<u>Hugh Barrass</u>	Editor – Clauses 30, 45
<u>Jonathan King</u>	Editor – Clause 87
<u>Arthur Marris</u>	Editor – Clauses 69, 73, 74, 84, Annexes 69A, 69B
<u>Steve Trowbridge</u>	Editor – Clause 83, Annex 83C
<u>Ryan Latchman</u>	Editor – Annex 83A, 83B
<u>Piers Dawe</u>	Editor – Clause 86, 52
<u>George Oulundsen</u>	Task Force Secretary
<u>Frank Chang</u>	Task Force Web Master

Reflector and Web

- To subscribe to the IEEE P802.3ba Task Force reflector, send an email to:

ListServ@ieee.org

with the following in the body of the message (do not include “<>”):

***subscribe stds-802-3-hssg <yourfirstname> <yourlastname>
end***

- Send IEEE P802.3ba Task Force reflector messages to:

STDS-802-3-HSSG@listserv.ieee.org

- Task Force web page URL:

http://www.ieee802.org/3/ba/

IEEE P802.3ba Private Area

- URL: <http://www.ieee802.org/3/ba/private/>
 - Username: 802.3ba
 - Password: xxxxxxxx
 - Password is case sensitive

- Note - The draft is posted for your review only, and neither the draft nor access information should be copied or redistributed to others in violation of document copyrights.

Task Force Approved Project Documents

■ PAR

- http://ieee802.org/3/ba/PAR/par_0308.pdf

■ 5 Criteria

http://ieee802.org/3/ba/PAR/P802.3ba_5C_0908.pdf

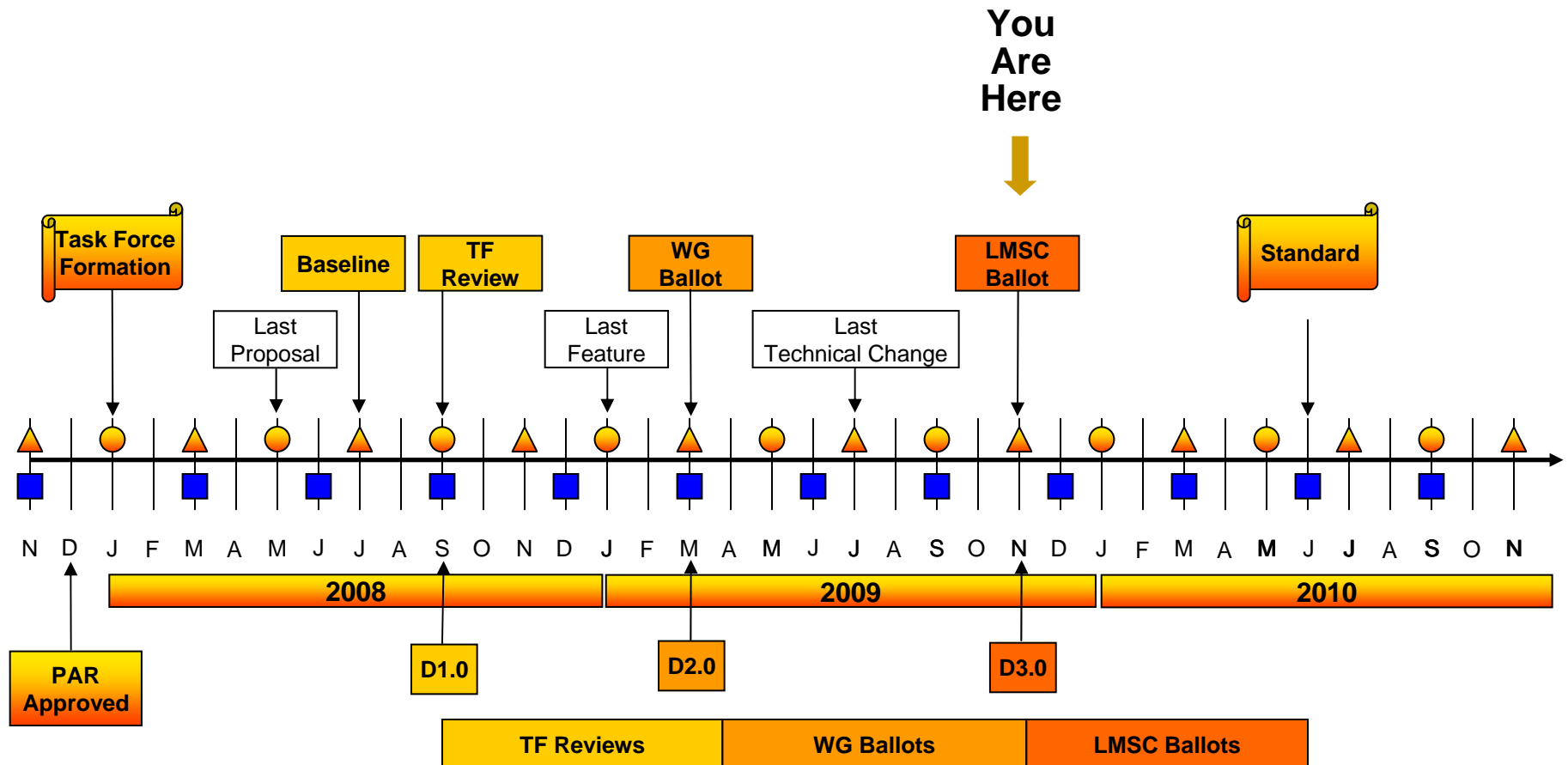
■ Objectives

- http://ieee802.org/3/ba/PAR/P802.3ba_Objectives_0709.pdf

Activities Summary Since July

- Draft 2.2
 - Published on August 18
 - Conducted 2ND re-circulation on WG ballot
 - Opened August 19
 - Closed September 2
 - 3 ½ day Interim meeting in Chicago in Sept (Thanks High Speed Design for sponsoring)
 - 64 Participants
 - Reviewed all T(71), TR (91), E (54), and ERs (18)
 - 13 TR/ER comments unsatisfied
- Draft 2.3
 - Published on Oct 15
 - Conducted 3rd recirculation on WG ballot
 - Opened Oct 16
 - Closed Oct 30
- OIF Liaison : CEI-25 / CEI-28 Projects Ad hoc
 - Phone Conferences to generate response: Oct 29, Nov 10
- TF Chair Worked with IEEE / ITU on Joint Press Release with ITU-T Study Group 15
 - “40 Gb/s and 100 Gb/s Ethernet Standard Project Goes to Sponsor Ballot - Approval of Related ITU-T Standard Also Pending”
 - Approved conditionally by 802 EC 11/16

IEEE P802.3ba Task Force Timeline



* Adopted by IEEE P802.3ba TF at March 08 Plenary

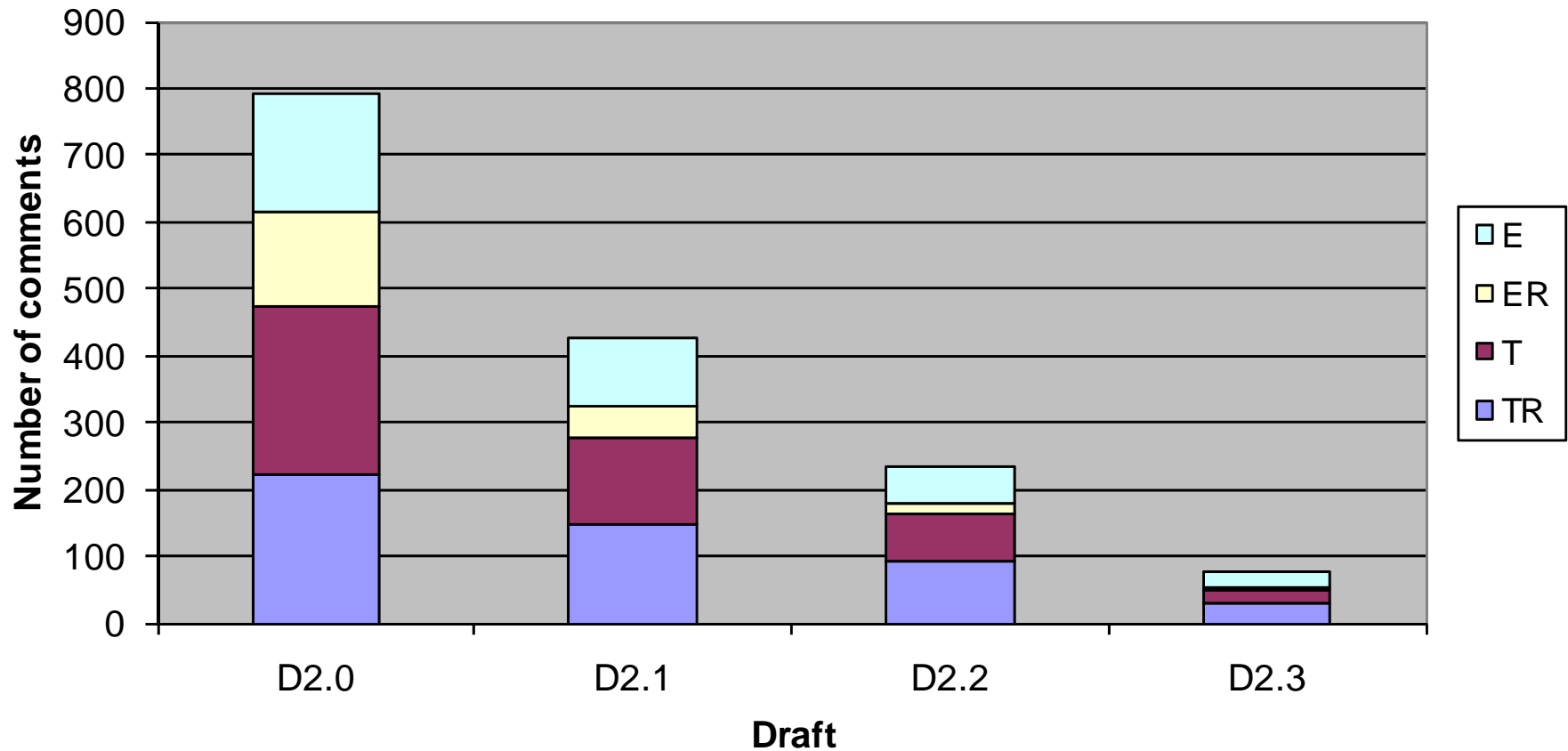
Legend	
▲	IEEE 802 Plenary
●	IEEE 802.3 Interim
■	IEEE-SA Standards Board

Working Group Ballot Results

	D2.0 Initial WG ballot	D2.1 WG recirc ballot	D2.2 WG recirc ballot	D2.3 WG recirc ballot
Voters	229	229	229	229
Approve	87	97	108	128
Disapprove	32	30	21	10
Disapprove w/o comment	3	2	1	1
Abstain	10	11	14	7
Returns	132	140	144	146
Response rate	57.64%	61.14%	62.88%	63.76%
Abstention rate	7.58%	7.86%	9.72%	4.79%
Approval rate	73.11%	76.38%	83.72%	92.75%

Ballot met required response rate $\geq 50\%$, abstention rate $< 30\%$, and approval rate $\geq 75\%$

Comments history



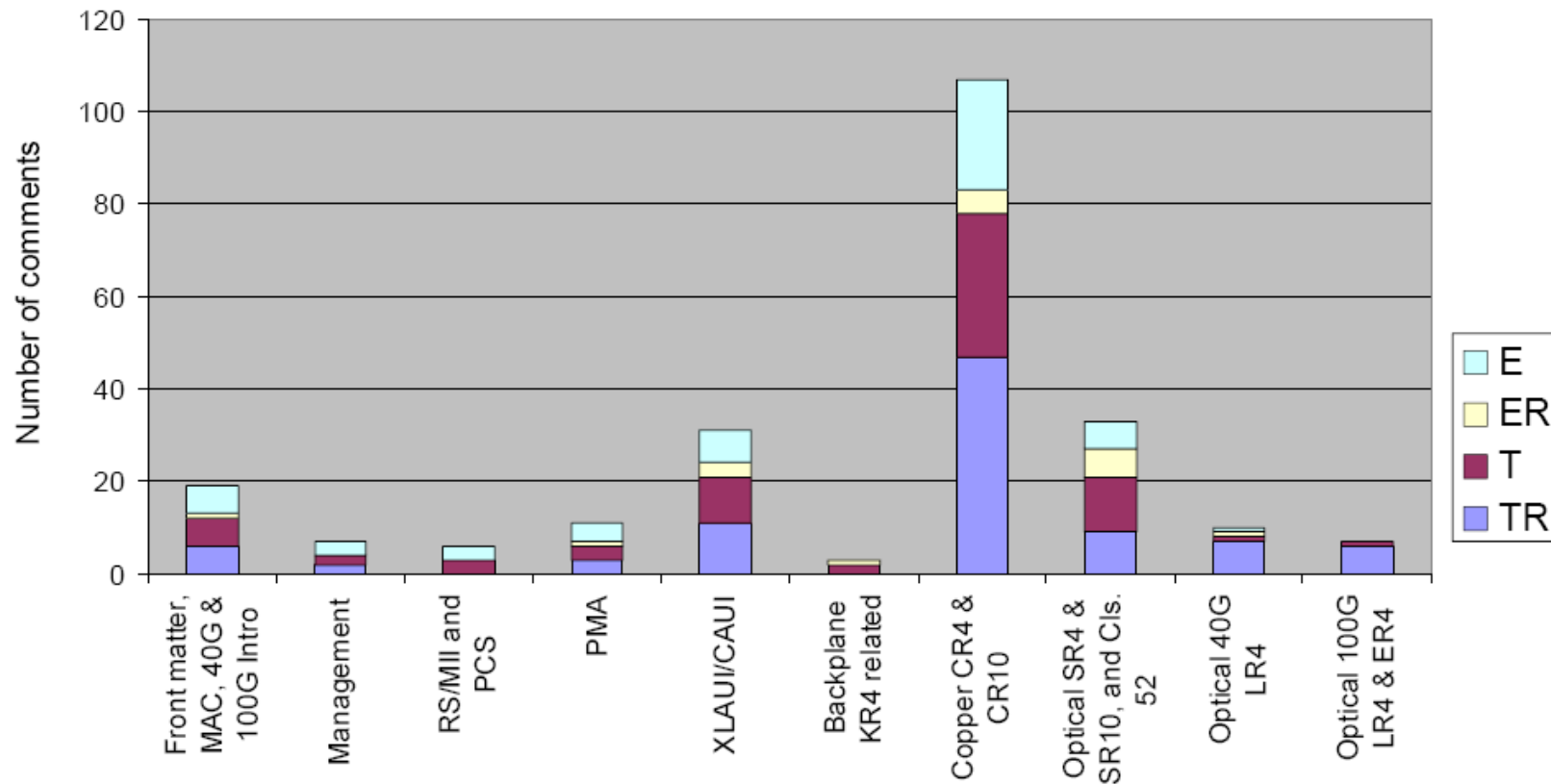
D2.2 Comments Report

Description	Editor	Clause	TR	T	ER	E	Total*
Front matter, MAC, 40G & 100G Intro	Ilango Ganga	99, 00, 01, A, 4, 4A, 31B, 80	6	6	1	6	19
Management	Hugh Barrass	30, 45	2	2	0	3	7
RS/MII and PCS	Mark Gustlin	81, 82	0	3	0	3	6
PMA	Steve Trowbridge	83, 83C	3	3	1	4	11
XLAUI/CAUI	Ryan Latchman	83A, 83B	11	10	3	7	31
Backplane KR4 related	Arthur Marris	69, 69A, 69B, 73, 74, 84	0	2	1	0	3
Copper CR4 & CR10	Chris Di Minico	85, 85A	47	31	5	24	107
Optical SR4 & SR10, and Cls. 52	Piers Dawe	86, 86A, 52	9	12	6	6	33
Optical 40G LR4	Jonathan King	87	7	1	1	1	10
Optical 100G LR4 & ER4	Pete Anslow	88	6	1	0	0	7
Total comments*			91	71	18	54	234

*Includes 9 Late comments for consideration by the Task Force

D2.2 Comments Distribution

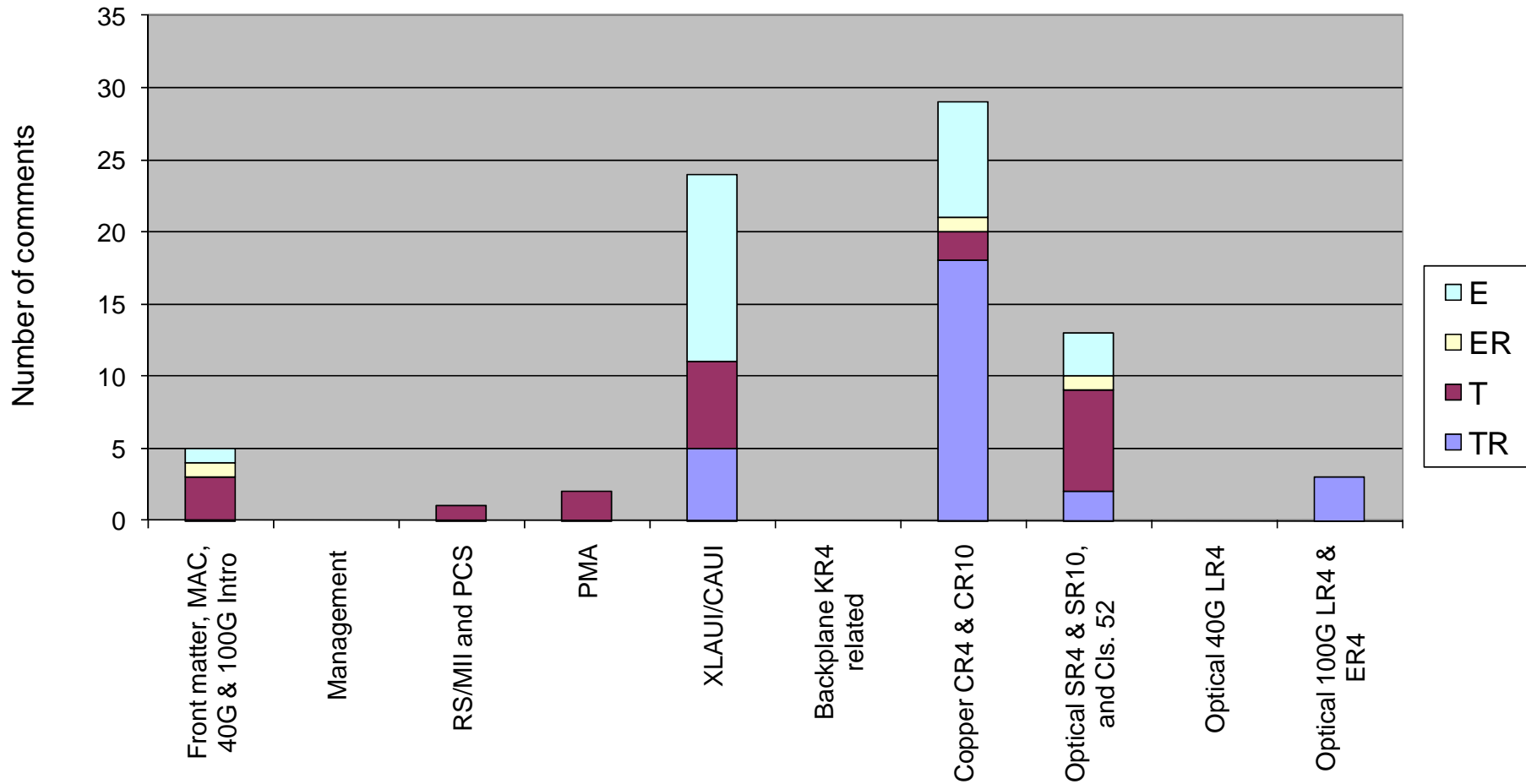
D2.2 comment distribution



D2.3 Comments Report

Description	Editor	Clause	TR	T	ER	E	Total
Front matter, MAC, 40G & 100G Intro	Ilango Ganga	99, 00, 01, A, 4, 4A, 31B, 80	0	3	1	1	5
Management	Hugh Barrass	30, 45	0	0	0	0	0
RS/MII and PCS	Mark Gustlin	81, 82	0	1	0	0	1
PMA	Steve Trowbridge	83, 83C	0	2	0	0	2
XLAUI/CAUI	Ryan Latchman	83A, 83B	5	6	0	13	24
Backplane KR4 related	Arthur Marris	69, 69A, 69B, 73, 74, 84	0	0	0	0	0
Copper CR4 & CR10	Chris Di Minico	85, 85A	18	2	1	8	29
Optical SR4 & SR10, and Cls. 52	Jonathan King (for Piers)	86, 86A, 52	2	7	1	3	13
Optical 40G LR4	Pete Anslow (for Jonathan)	87	0	0	0	0	0
Optical 100G LR4 & ER4	Pete Anslow	88	3	0	0	0	3
Total comments			28	21	3	25	77

D2.3 Comments Distribution



Goals for the week

- Progress towards generating D3.0
 - Respond to comments received against D2.3

- Consider liaisons from
 - OIF
 - ITU-T Study Group 15
 - INCITS T11.2 Activities Report

- Request 802.3WG to forward IEEE P802.3ba to Sponsor Ballot

- Lay groundwork for the next meeting

Meeting Map

	Mon	Tues	Wed	Thur	Fri		
8:00	SEC						
8:30							
9:00			Task Force	Task Force	Task Force - Motions & Closing Business		
9:30							
10:00							
10:30							
11:00	802.0 Plenary						
11:30							
12:00	Lunch	Lunch	Lunch	Lunch			
12:30							
13:00	802.3 Opening Plenary	Task Force	Task Force (OIF CEI Projects Ad Hoc)	802.3 Closing Plenary	SEC		
13:30							
14:00							
14:30							
15:00							
15:30							
16:00							
16:30							
17:00							
17:30							
18:00	CFI						
18:30							
19:00			Social				
19:30							
20:00	Tutorial #1						
20:30							
21:00							
21:30	Tutorial #2						
22:00							

Note –Times listed are subject to change.



Thank You!

