

IEEE P802.3ba 40Gb/s and 100Gb/s Ethernet Task Force

Chief Editor's Closing Report

Ilango Ganga, Intel
Editor-in-Chief, IEEE P802.3ba Task Force

Nov 19, 2009

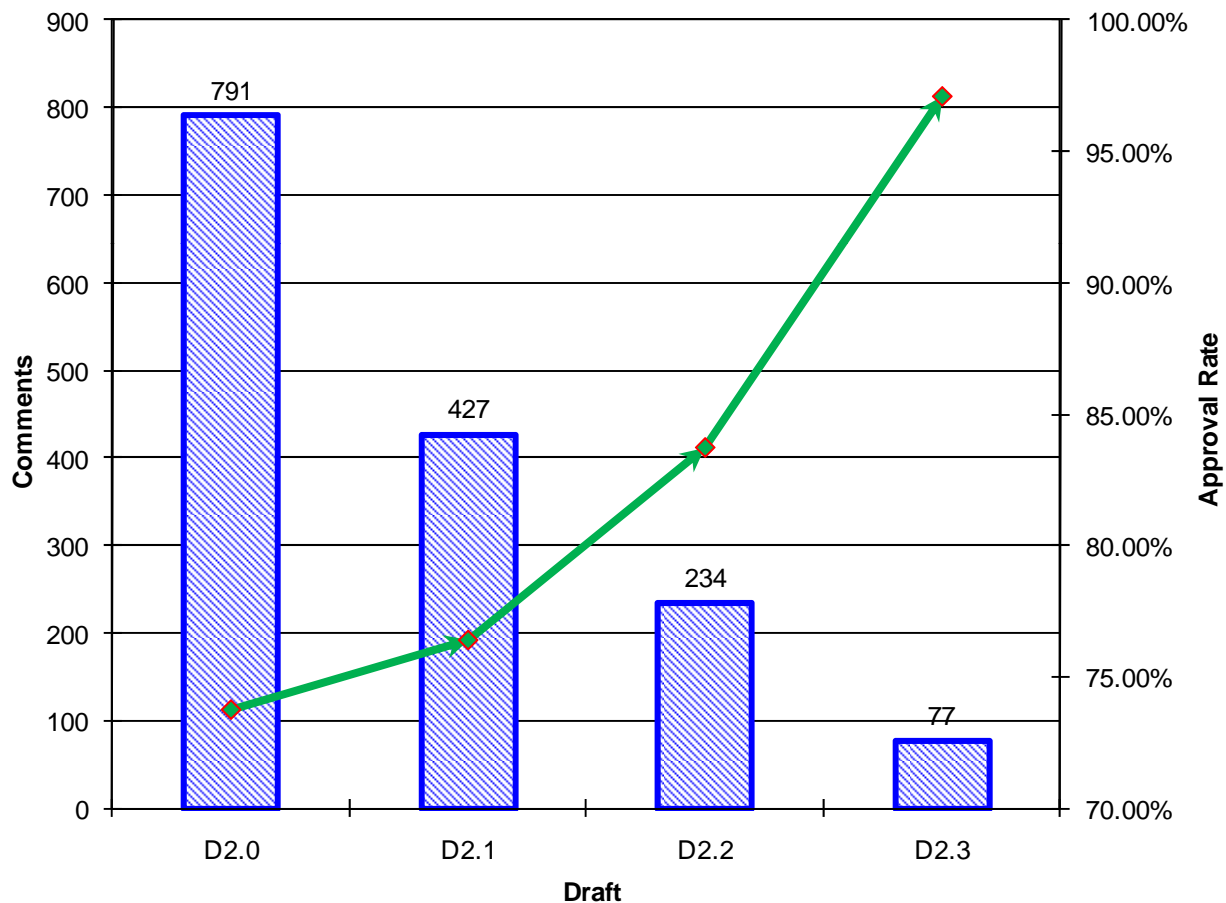
WG ballot results (revised*)

	D2.0 Initial WG ballot	D2.1 WG recirc ballot	D2.2 WG recirc ballot	D2.3 WG recirc ballot
Voters	229	229	229	229
Approve	87	97	108	134
Disapprove	32	30	21	4
Disapprove w/o comment	3	2	1	1
Abstain	10	11	14	7
Returns	132	140	144	146
Response rate	57.64%	61.14%	62.88%	63.76%
Abstention rate	7.58%	7.86%	9.72%	4.79%
Approval rate	73.11%	76.38%	83.72%	97.1%

Ballot met required response rate $\geq 50\%$, abstention rate $< 30\%$, and approval rate $\geq 75\%$

*Revised ballot results at the close of the Nov'09 Plenary (6 ballot flips at the meeting)

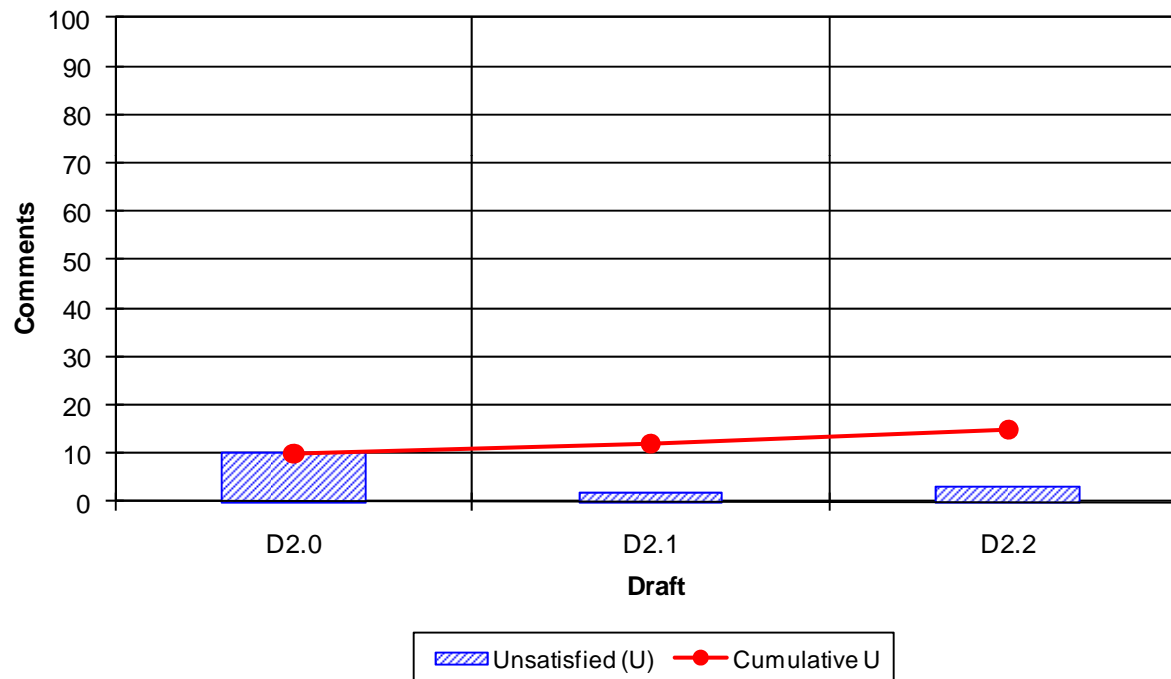
Approval rate history (revised*)



*Revised approval rate at the close of the Nov'09 interim (6 ballot flips at the meeting)

Unsatisfied comments history (revised*)

P802.3ba WG ballot unsatisfied comments history



*Revised statistics at the close of the Nov'09 Plenary (closed 15 negative comments on previous drafts at the meeting)



Progress at the meeting

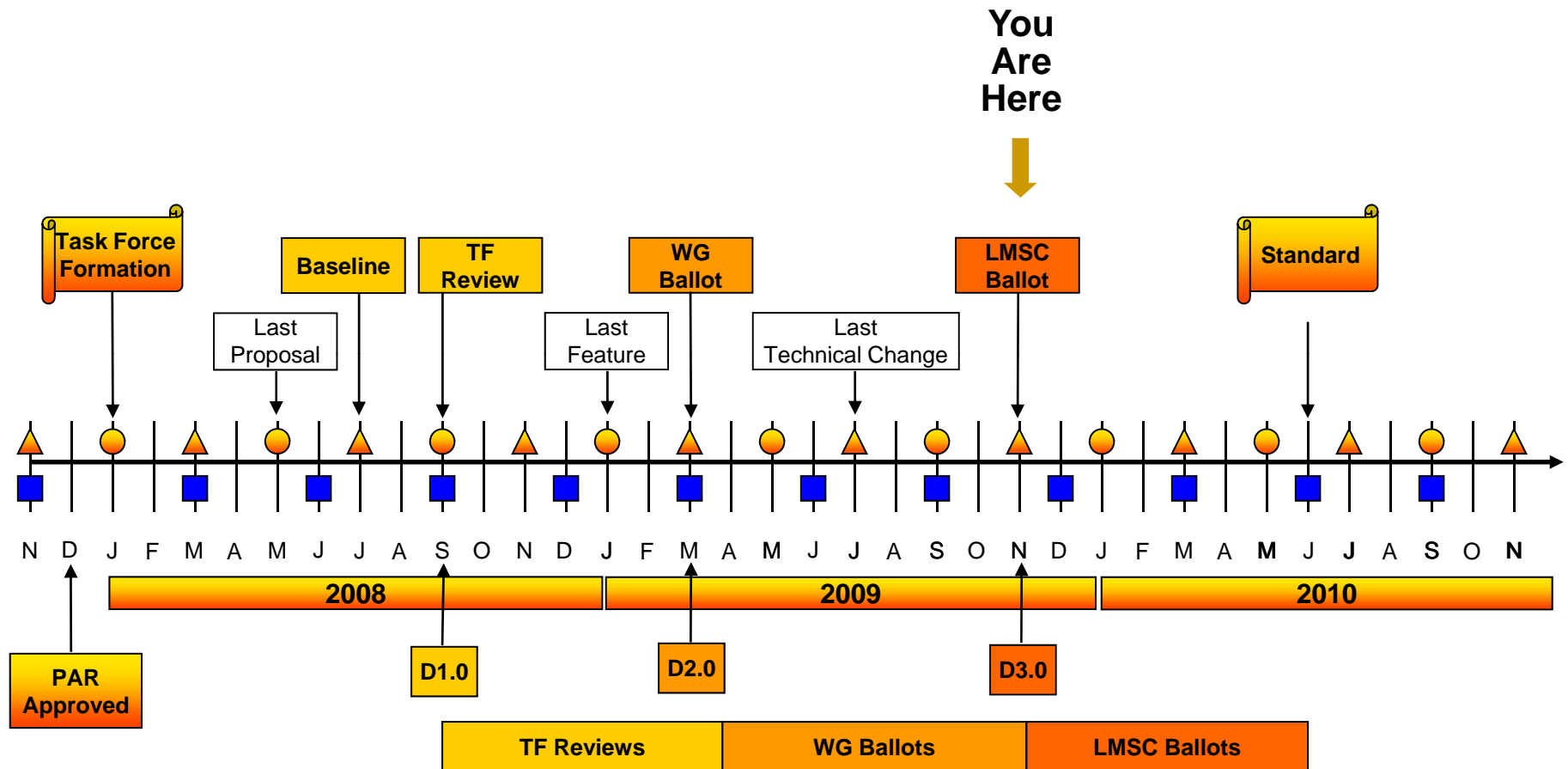
Achieved the meeting goals

- Resolved/responded to all 77 comments received on D2.3
 - All TR/ER comments on D2.3 closed at the meeting
 - No new unresolved negative comments on D2.3
 - 10 comments were accepted/accepted in principle

- Generated D3.0, for sponsor ballot, based on D2.3 and resolved comments
 - No substantive (normative) changes to create D3.0 from D2.3
 - Diff document highlighting the changes from D2.3 to D3.0 was reviewed by the Task Force

- We are ready to request for sponsor ballot in WG Plenary closing session

IEEE P802.3ba Task Force Timeline



* Adopted by IEEE P802.3ba TF at March 08 Plenary

Legend	
▲	IEEE 802 Plenary
●	IEEE 802.3 Interim
■	IEEE-SA Standards Board

Proposed schedule till Sponsor ballot

Sl.#	Description	Date	Day	# of business days	# of calendar days	Status/Remarks
	Mar Plenary meeting (Mar 9 to Mar 12)	12-Mar	Thu			
	Initial Working Group ballot D2.0 - Opens	12-Mar	Thu			Done
	Initial Working Group ballot D2.0 - Closes	16-Apr	Thu		35	Done
	Proposed response posted	30-Apr	Thu	10		Done
	May interim meeting ends (May 4 to May 7)	7-May	Thu			
	D2.1 Editing starts on following Mon	11-May	Mon			
	First WG ballot recirculation D2.1 - Opens	1-Jun	Mon	15		
	First WG ballot recirculation D2.1 - Closes	26-Jun	Fri		25	25 day circulation (Done)
	Proposed response posted	9-Jul	Thu	9		
	July Plenary meeting (Jul 13 to Jul 16)	16-Jul	Thu			
	D2.2 Editing starts on following Mon	20-Jul	Mon			
	Second WG ballot recirculation D2.2 - Opens	19-Aug	Wed	22		
	Second WG ballot recirculation D2.2 - Closes	2-Sep	Wed		15	15 day recirc (Done)
	Proposed response posted	17-Sep	Thu	10		
	Sep interim meeting (Sep 21 to Sep 24)	24-Sep	Thu			
	D2.3 Editing starts on following Mon	28-Sep	Mon			
	Third WG ballot recirculation D2.3 - Opens	16-Oct	Fri	14		
	Third WG ballot recirculation D2.3 - Closes	30-Oct	Fri		15	15 day recirc (Done)
	Proposed response posted	12-Nov	Thu	9		Requirement to req Sponsor ballot: No new unresolved negatives and No substantive (normative) changes
	Nov Plenary meeting (Nov 16 to Nov 19)	19-Nov	Thu			D3.0 ready at closing plenary EC approval on Friday 11/20
	Mandatory Editorial coordination (MEC)	30-Nov	Mon	7		2 days for US Thanksgiving Nov 26-27
	Initial Sponsor ballot D3.0 - Opens	7-Dec	Mon	5		Requires 5 business days before ballot
	Initial Sponsor ballot D3.0 - Closes	5-Jan	Tue		30	30 day electronic ballot
	Proposed response posted	21-Jan	Thu	11		Includes New Year holiday
	Jan interim meeting (Jan 25 to Jan 29) Estimated	25-Jan	Mon			Estimated dates, subject to change

Sponsor ballot



Summary

- Resolved/responded to all comments received on D2.3
 - No new unresolved negative comments on D2.3
- Generated D3.0, based on D2.3 and resolved comments
 - No substantive (normative) changes to create D3.0 from D2.3
- Ready to request for Sponsor ballot