



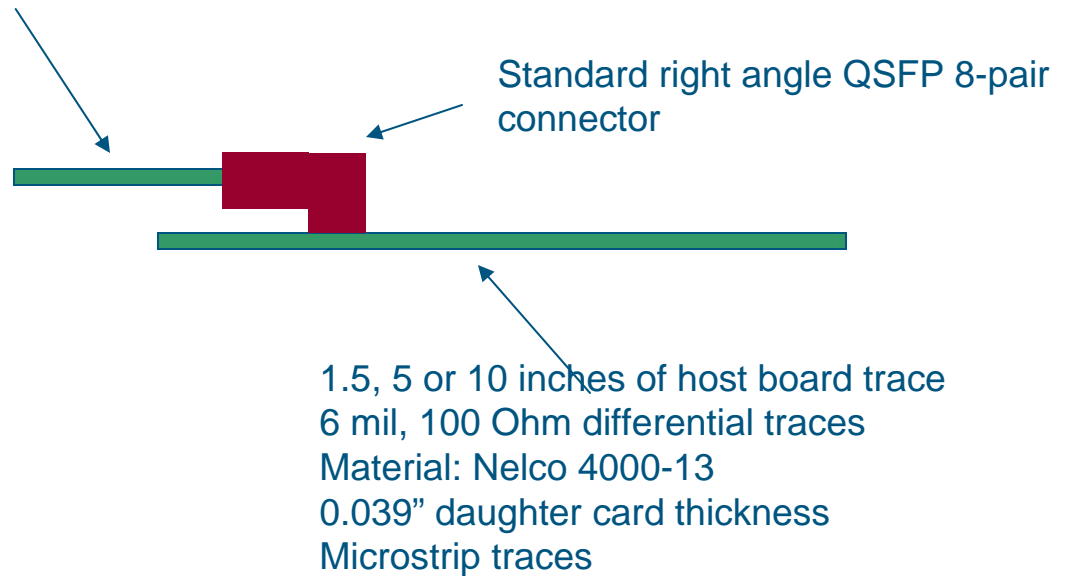
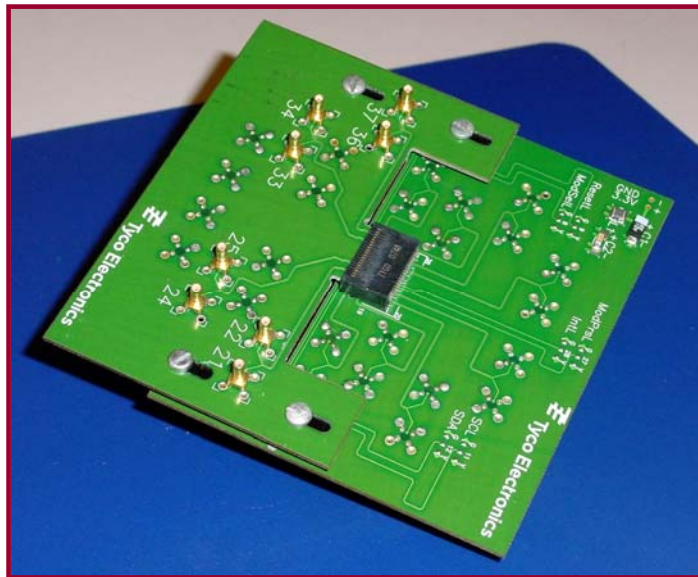
IEEE HSSG 802.3ba Channels

Measurements with Tyco's QSFP Connector

March 14, 2008

Channel Overview

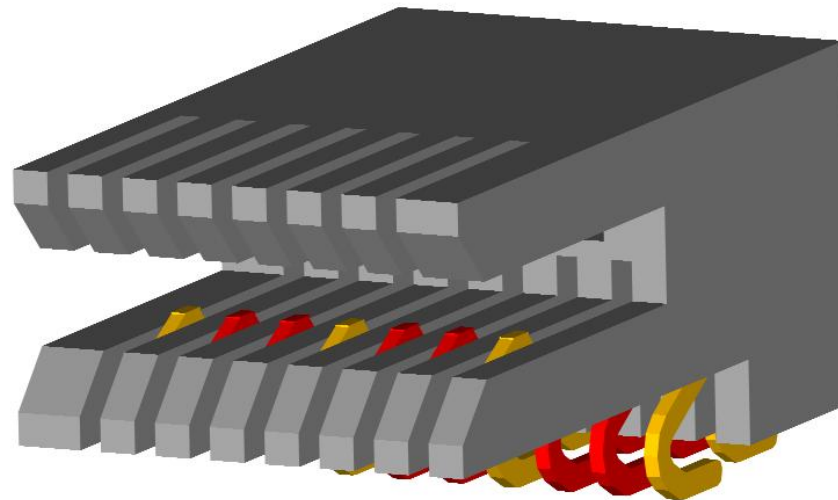
1.5 inches of module board trace
6 mil, 100 Ohm differential traces
Material: Nelco 4000-13
0.039" daughter card thickness
Microstrip traces



Total channel length = 3", 6.5" or 11.5" (+connectors)

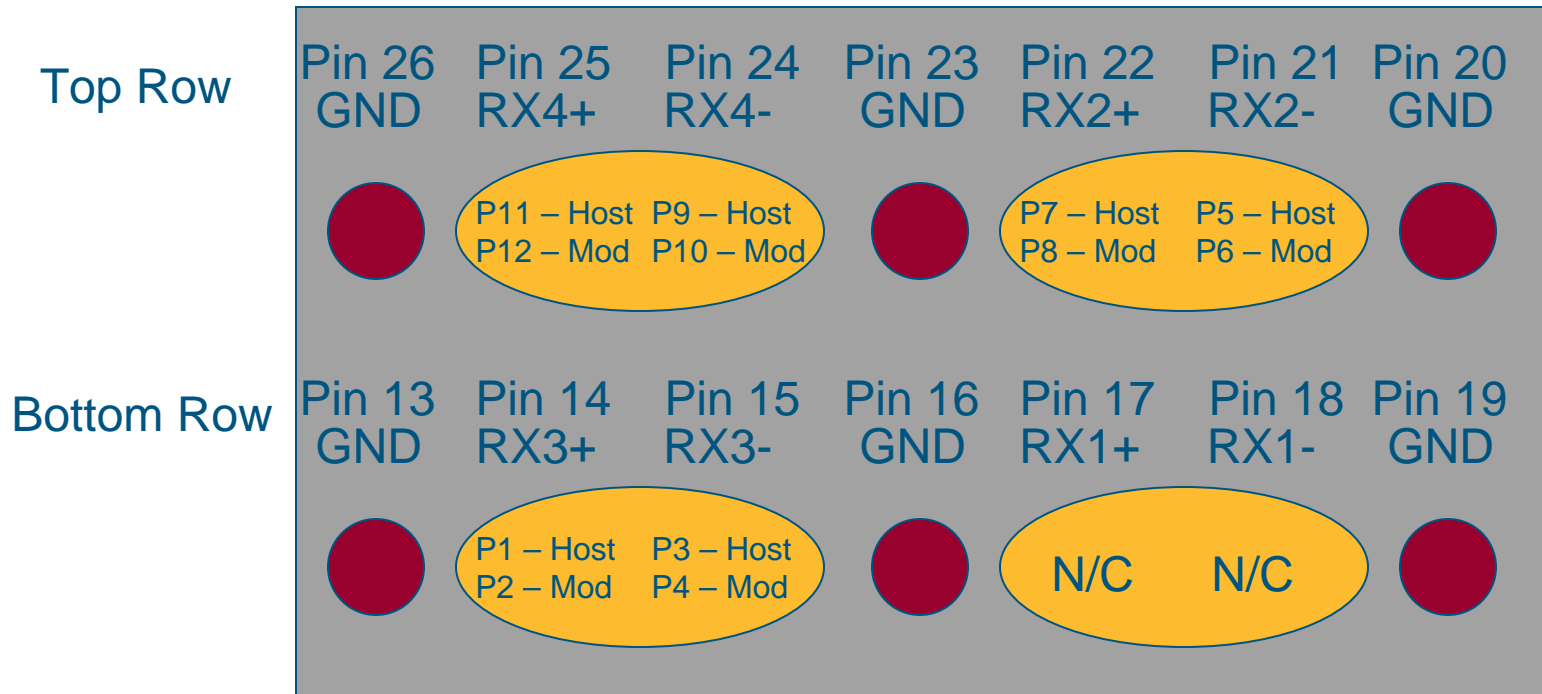
QSFP Connector Channel Model Overview

- Standard QSFP right angle connector
- 8 pairs total (plus signal lines), fully routed test boards
- Surface mount part



Testing Port Configuration

Adjacent Pairs Channel Model, 12-Port File

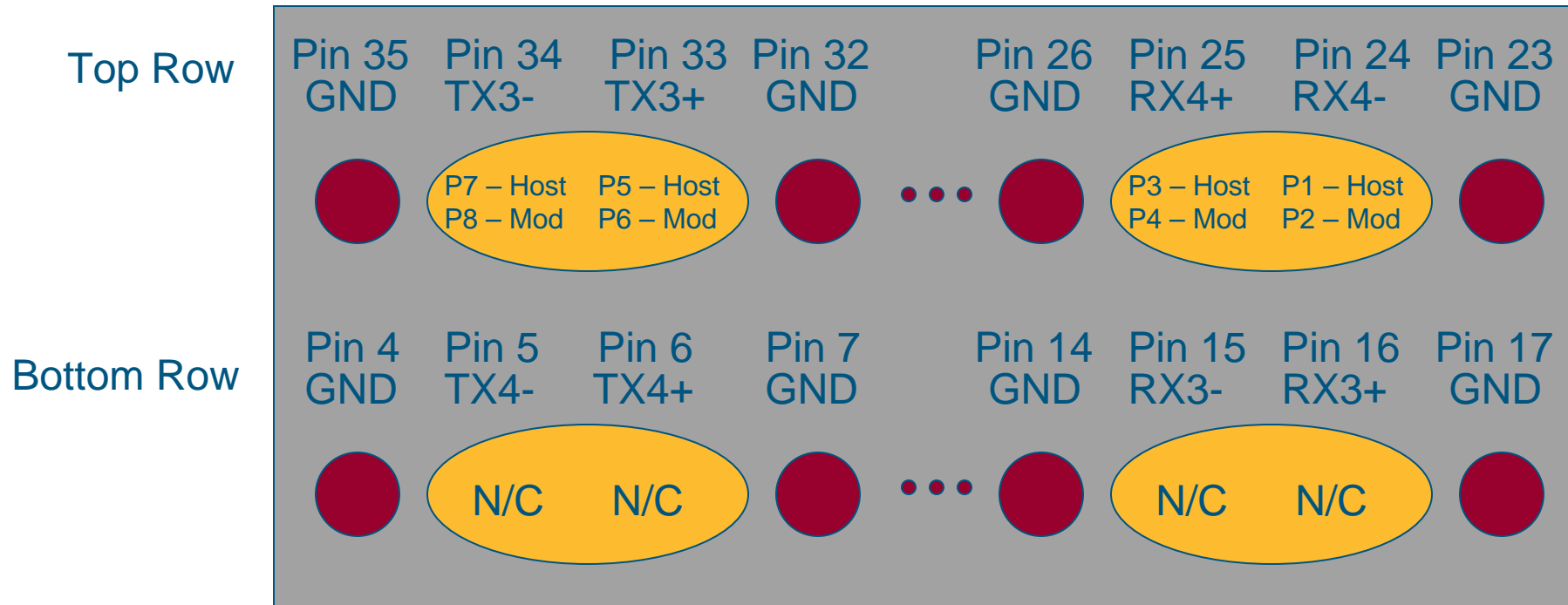


Connector view from mating side

Note: P# is the channel model s-parameter port number
 “Host” is the host board side
 “Mod” is the module board side

Testing Port Configuration

Separated Pairs Channel Model, 8-Port File



Connector view from mating side

Note: P# is the channel model s-parameter port number
 "Host" is the host board side
 "Mod" is the module board side

File Names

File Name	Host Length	Module Length	Total Length	Connector Pair Configuration
TEC_QSFP_Host1in_Module1in.s12p	1.5"	1.5"	3.0"	Adjacent
TEC_QSFP_Host1in_Module1in.s8p	1.5"	1.5"	3.0"	Separated
TEC_QSFP_Host5in_Module1in.s12p	5.0"	1.5"	6.5"	Adjacent
TEC_QSFP_Host5in_Module1in.s8p	5.0"	1.5"	6.5"	Separated
TEC_QSFP_Host10in_Module1in.s12p	10.0"	1.5"	11.5"	Adjacent
TEC_QSFP_Host10in_Module1in.s8p	10.0"	1.5"	11.5"	Separated
All Data is Measured				