

IEEE P802.3bf

Time sync architecture

David Law

3Com

david_law@3Com.com

Marek Hajduczenia

ZTE Corp.

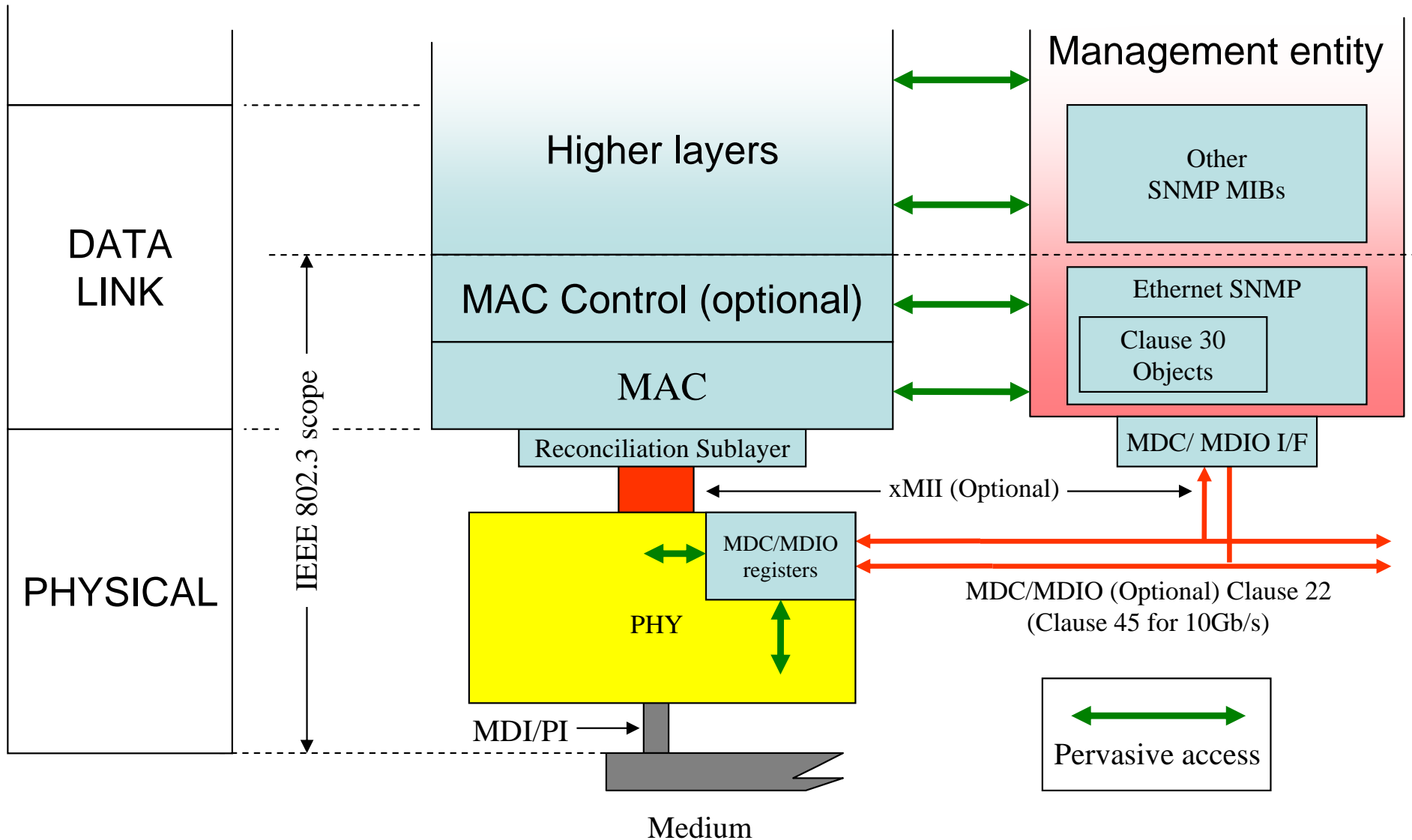
marek.hajduczenia@zte.com.cn

Steve Carlson

HSD

scarlson@hspdesign.com

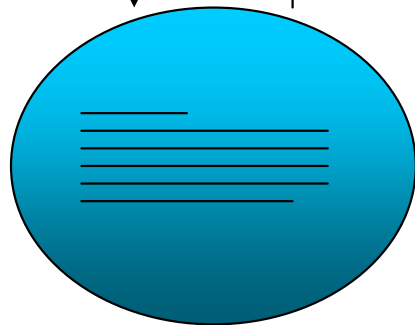
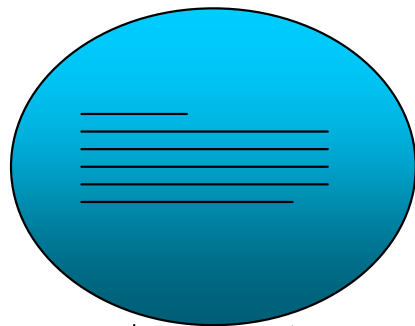
Review of management architecture



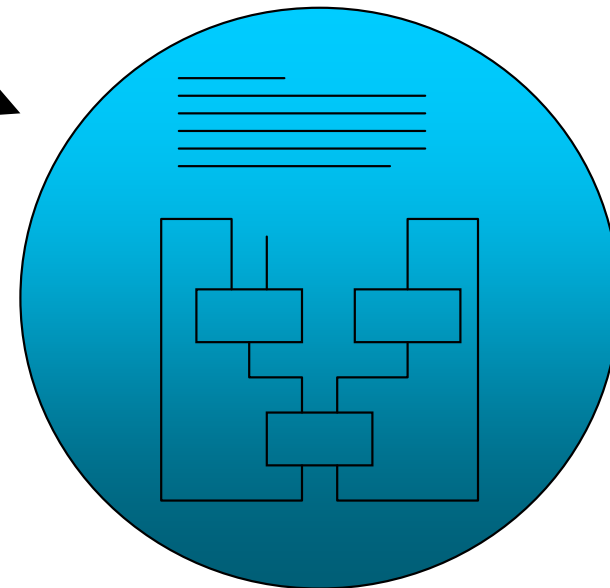
MIB, Registers and Function

Function in PHY needs register access to make it manageable

MIB definition

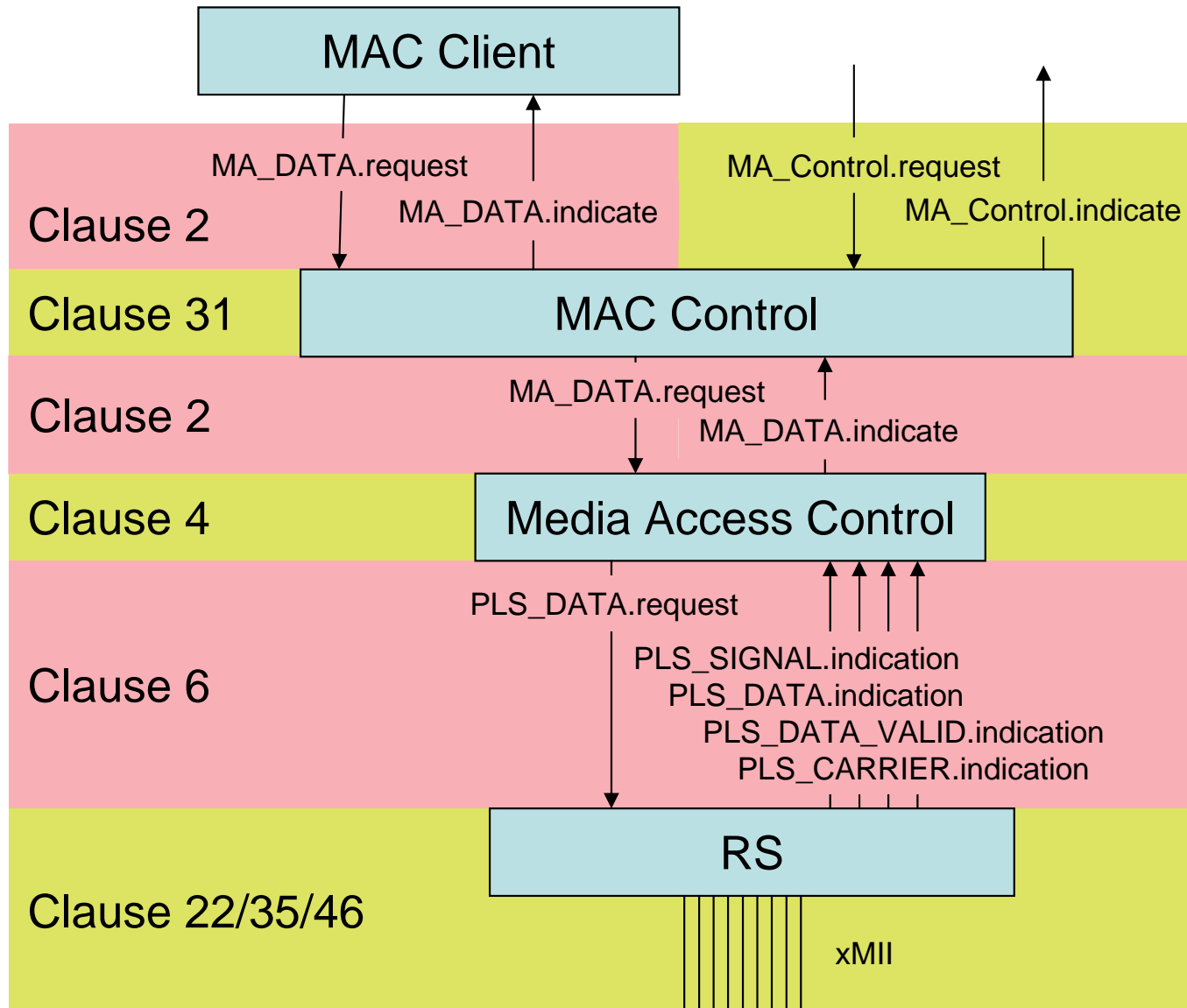


Function



Register definition

Review of sublayers and interfaces



Abstract Service Interface

- Clause 2 MAC Service Interface example

MA_DATA.request (destination_address, source_address,
mac_service_data_unit, frame_check_sequence)

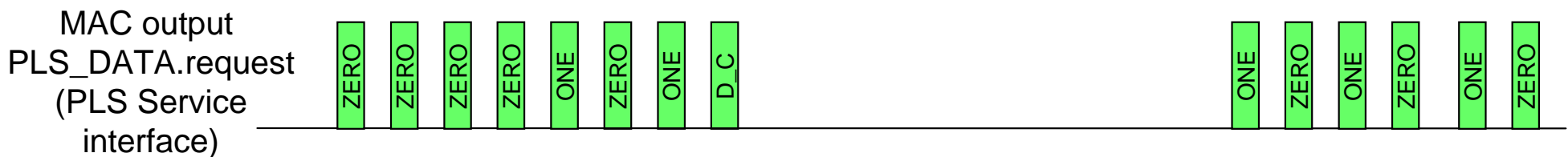
This primitive defines the transfer of data from a MAC client entity to a single peer entity or multiple peer entities in the case of group addresses.



- Clause 6 Physical Signaling (PLS) service Interface example

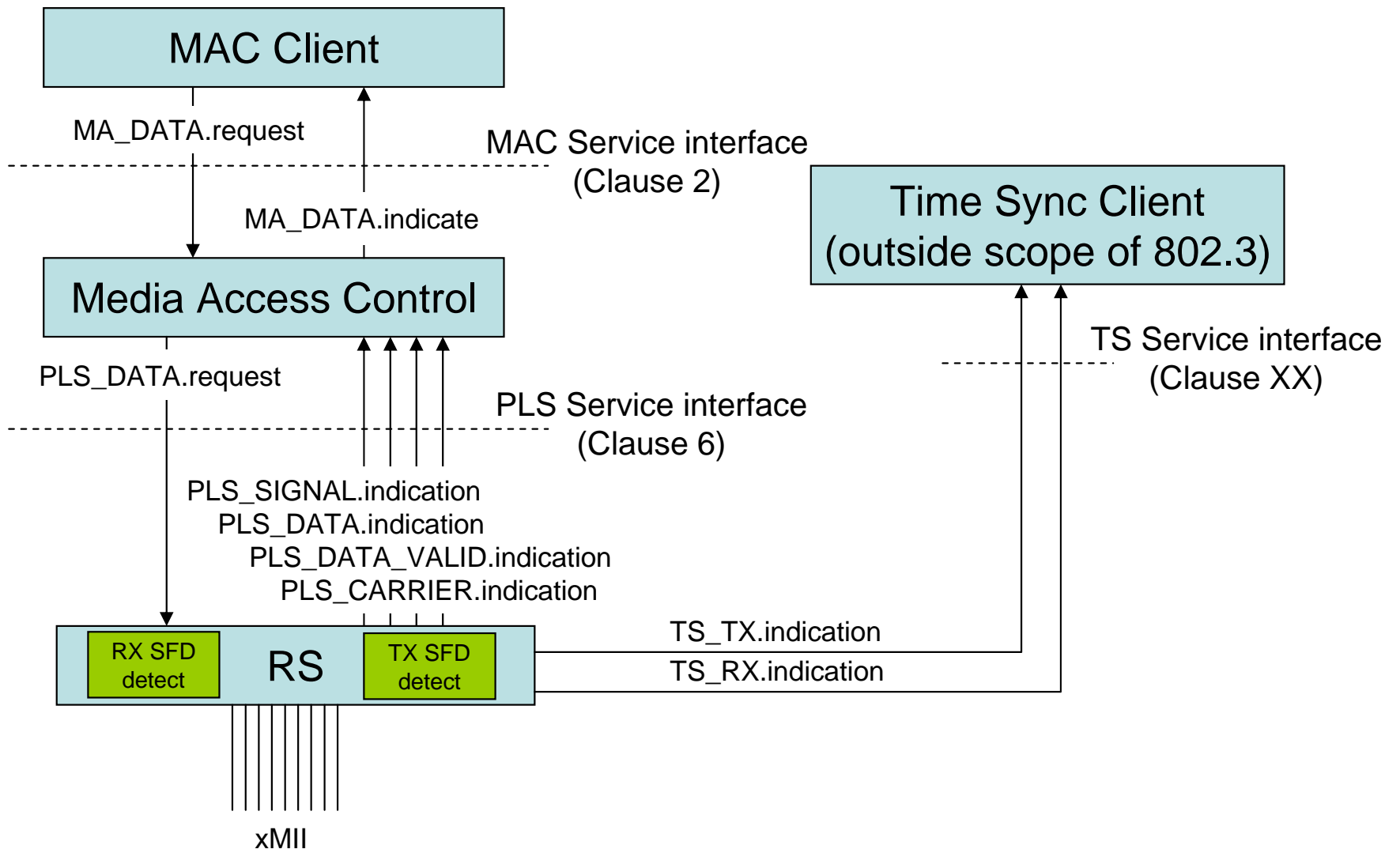
PLS_DATA.request (OUTPUT_UNIT)

The OUTPUT_UNIT parameter can take on one of three values: ONE, ZERO, or DATA_COMPLETE and represent a single data bit. The DATA_COMPLETE value signifies that the Media Access Control sublayer has no more data to output.

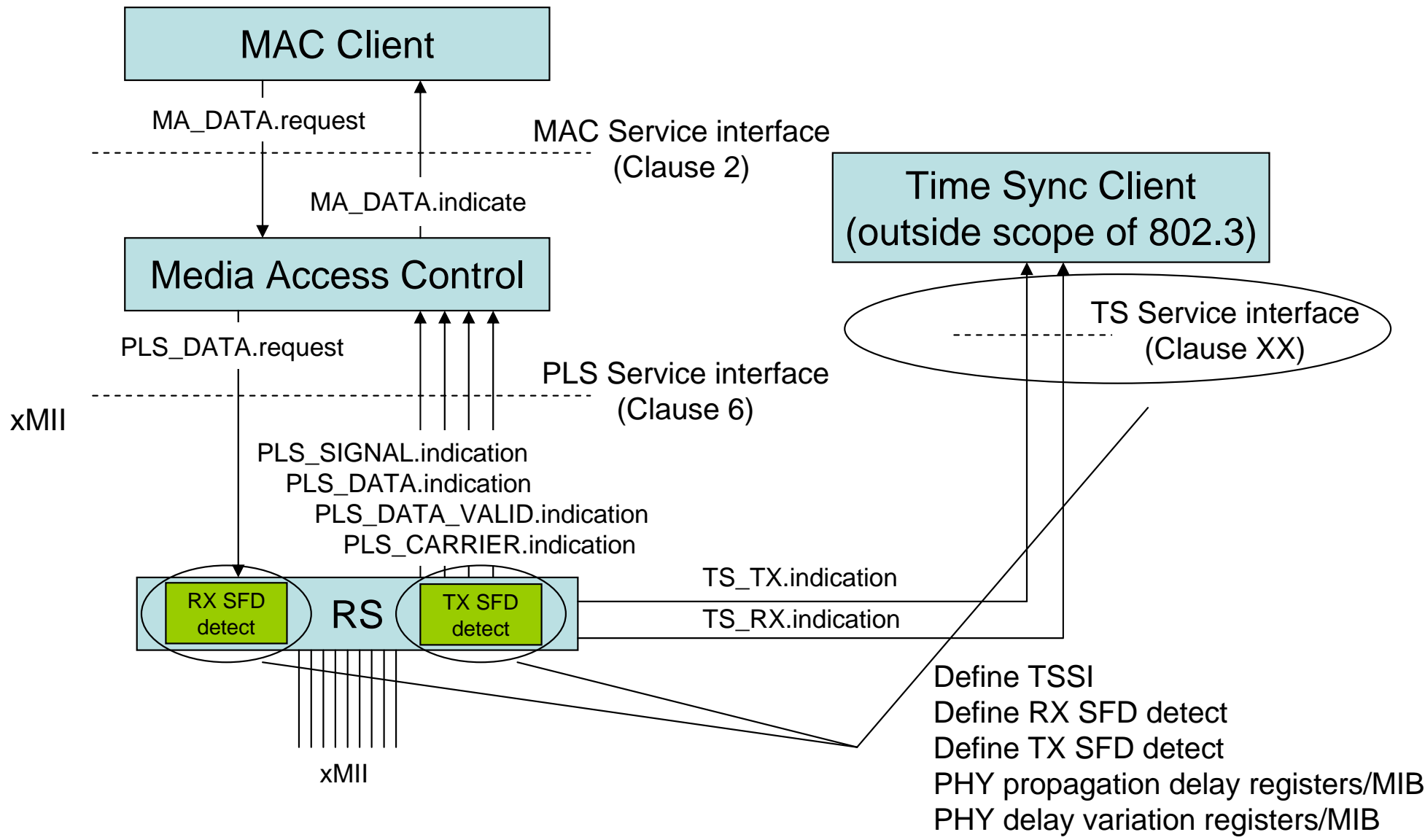


NOTE – The above is only an **illustration** of the abstract message passing interface – messages are instantaneous

Proposed architectural model



Scope of IEEE P802.3bf



Interface operation illustration

