

CAUI-4 Ad hoc

Ryan Latchman ryan.latchman@mindspeed.com

Agenda

- Patent Policy: The meeting is an official IEEE ad hoc. Please review the patent policy at the following site prior to the meeting.
<http://www.ieee802.org/3/patent.html>
- Presentation: Mike Li (9:05 – 9:40am)
- Presentation: Ali G (9:40 – 10:10am)
- TBDs and consensus building (with a focus on 83D)

Chip-chip transmitter spec

Parameter	Subclause Reference	Value	Units
Output Jitter (max) Random jitter ^a Deterministic jitter ^b Total jitter ^c	83D.3.1.4	0.15 with reference CTLE 0.15 0.28, with reference CTLE	UI
Output waveform	83D.3.1.5	TBD (eye mask or other)	
De-emphasis range	83D.3.1.6	TBD (no Tx training or back channel)	

Reference CTLE
not needed given
compliance points

^aRandom jitter at BER of 10^{-15}

^b~~measured with reference CTLE per section~~ TBD

^cTotal jitter at BER of 10^{-15}

Output Waveform

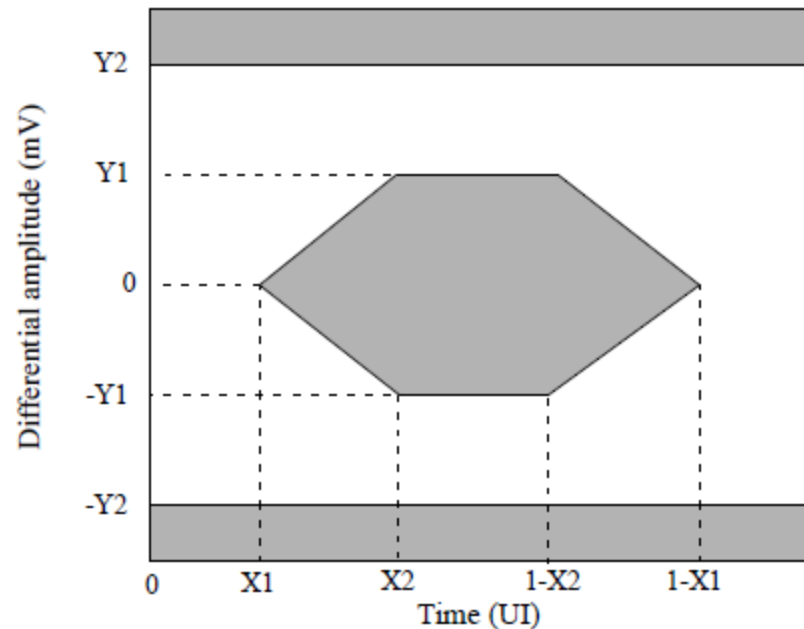


Figure 83A-8—Transmitter eye mask

Transmitter mask definition X1: 0.14

Transmitter mask definition X2: TBD

Transmitter mask definition Y1: TBD

Transmitter mask definition Y2: 600

De-emphasis range

Minimum range and step size for pre and post

Implement in COM and evaluate

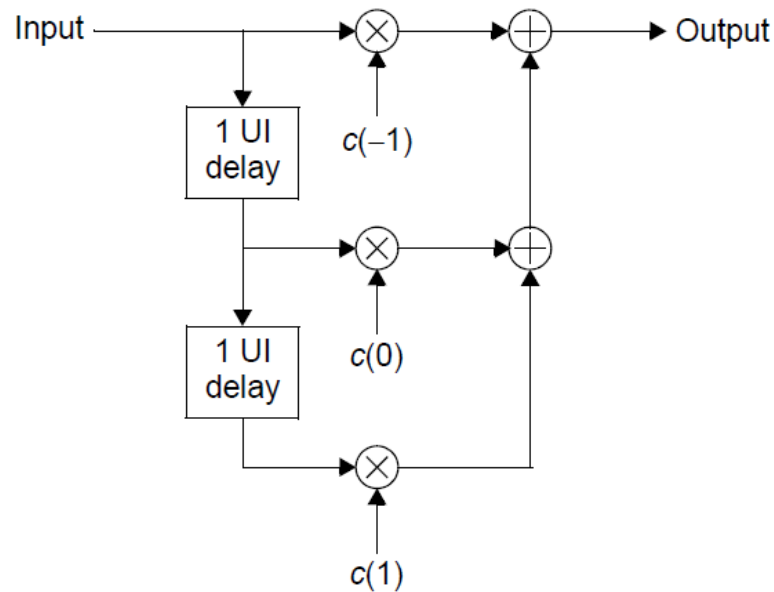


Figure 93–7—Transmit equalizer functional model