

EPoC Burst Marker Proposal for EPoC 802.3bn

Leo Montreuil, Avi Kliger,
Rich Prodan, Ryan Hirth, BZ Shen
Broadcom

March 16-21, 2014 Beijing, China

Supporters

- Hesham ElBakoury, Huawei
- Syed Rahman, Huawei
- Duane Remein, Huawei

2-D Burst Marker Design (1)

2-D “B” and “N” sequence

- Burst Marker size is $N_f \times N_s$. Size determine performance for false and misdetection
- 1:1 ratio of BPSK “B” to Nulls “N” is best performance
- N_f (frequency direction size) should be even, allowing boosting the power of “B” subcarriers by 2 without increasing total output power
- N_s (time direction size) can be a odd or even

2-D Burst Marker Design (2)

2-D “B” and “N” sequence

- Best 2-D auto-correlation sequence is selected (by exhaustive search)
- BM can be interspersed with the data and pilots to improve robustness
- Stop marker is the complement of the Start sequence:
 - “B” \rightarrow “N” and “N” \rightarrow “B”

2-D Burst Marker Design (3)

1-D “B” sequence

- “B” sequence is 1-D BPSK of length $(N_f \times N_s)/2$
 - No position ambiguity, set by the 2-D sequence.
- Sequence boosted by 2 (3 dB) for robustness.
- Best 1-D auto-correlation sequence selected (by exhaustive search). Some circular shifts of a sequence are mutually orthogonal.
- Profile encoded on BPSK sequence. Each profile has its own circular shift of the base sequence. Examples:
 - BM 4x4 BPSK profile 0 (no shift) : $S_0 = [-1 \ 1 \ 1 \ 1 \ 1 \ -1 \ 1 \ -1]$;
 - BM 4x4 BPSK profile 1 (shift +1) : $S_1 = [-1 \ -1 \ 1 \ 1 \ 1 \ 1 \ -1 \ 1]$;
 - BM 4x4 BPSK profile 4 (shift -3) : $S_4 = [1 \ 1 \ -1 \ 1 \ -1 \ -1 \ 1 \ 1]$;

Proposed 2-D Burst Marker, Profile 0

4x4 Start BM

	0	-1	0	1
Frequency ↓	1	0	1	0
	0	1	-1	0
	1	0	0	-1
	Symbol →			

4x6 Start BM

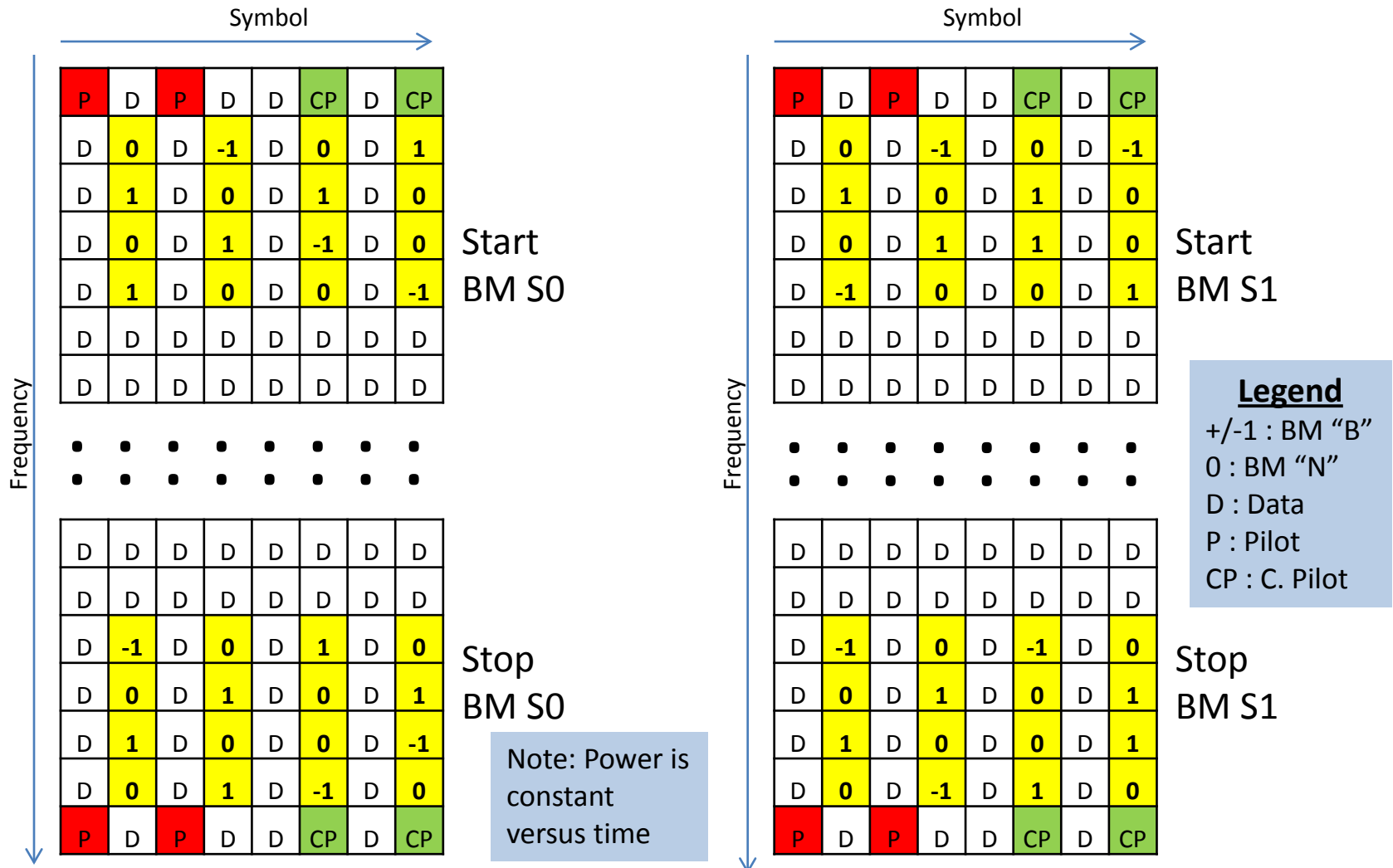
0	-1	0	1	1	0
1	0	1	0	0	1
0	-1	-1	0	0	1
1	0	0	-1	1	0

4x8 Start BM

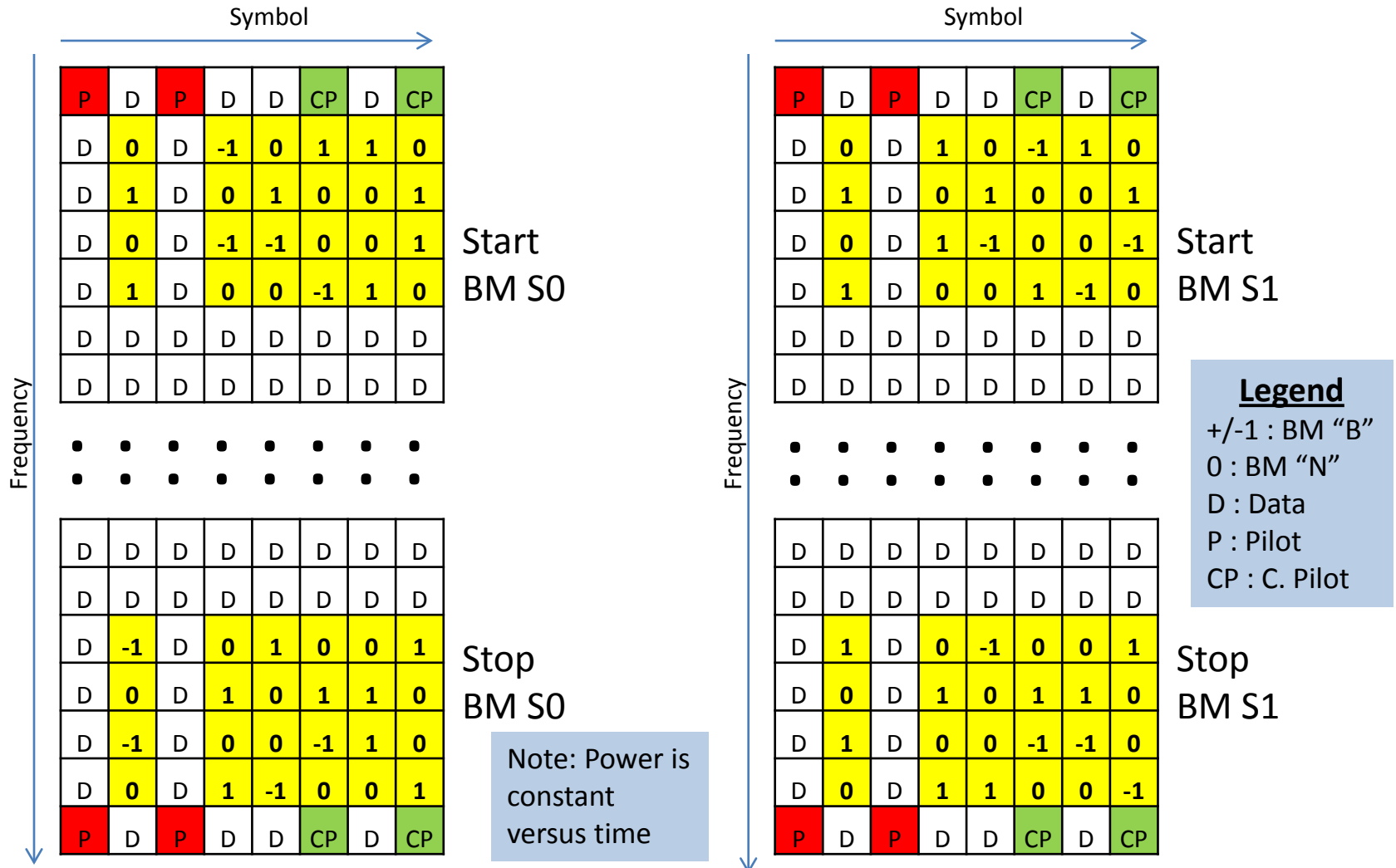
0	-1	0	1	1	1	0	0
1	0	1	0	0	0	-1	1
-1	0	1	0	1	0	0	-1
0	-1	0	-1	0	1	-1	0

- 4x4 BM “B” sequence: **$S_0 = [-1\ 1\ 1\ 1\ 1\ -1\ 1\ -1]$**
 - 7 mutually orthogonal sequences by circular shift of [0,1,2,3,-3,-2,-1]
- 4x6 BM “B” sequence : **$S_0 = [-1\ 1\ 1\ 1\ 1\ 1\ -1\ -1\ 1\ 1\ -1\ 1]$**
 - 11 mutually orthogonal sequences by circular shift of [0,1,2,3,4,5,-5,-4,-3,-2,-1]
- 4x8 or 8x4 BM “B” sequence : **$S_0 = [-1\ 1\ 1\ 1\ 1\ 1\ -1\ 1\ -1\ 1\ -1\ -1\ -1\ 1\ -1]$**
 - 13 mutually orthogonal sequences by circular shift of [0,1,...,6,-6,-5,...,-1]
- Stop marker is complementary to Start marker, “B” → “N” , “N” → “B”
- Profile sequence is on Start and Stop marker. First element is top left corner, then left to right and top to bottom.
- Start BM is preceded by one subcarrier carrying Pilots and Data. Stop BM is followed by one subcarrier carrying Pilots and Data (see examples).

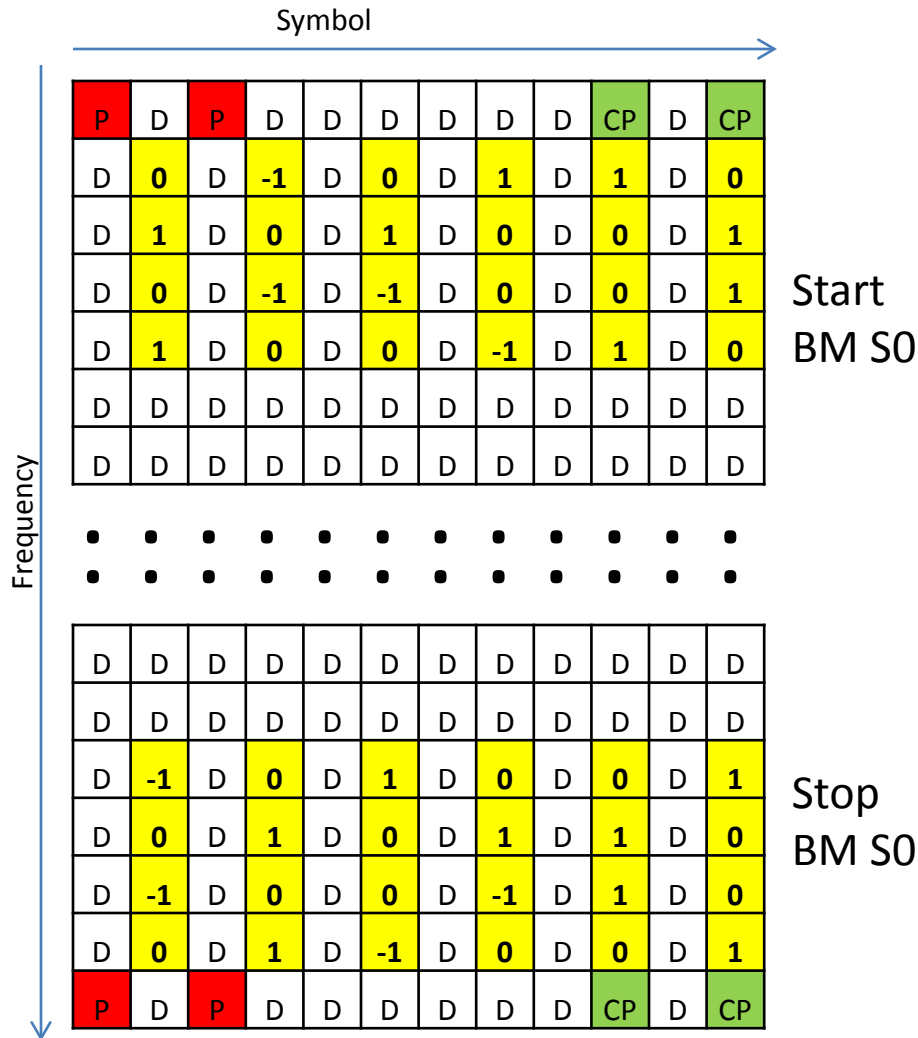
Examples of BM 4x4 in 8 symbols RB



Examples of BM 4x6 in 8 symbols RB



Examples of BM 4x6 in 12 symbols RB

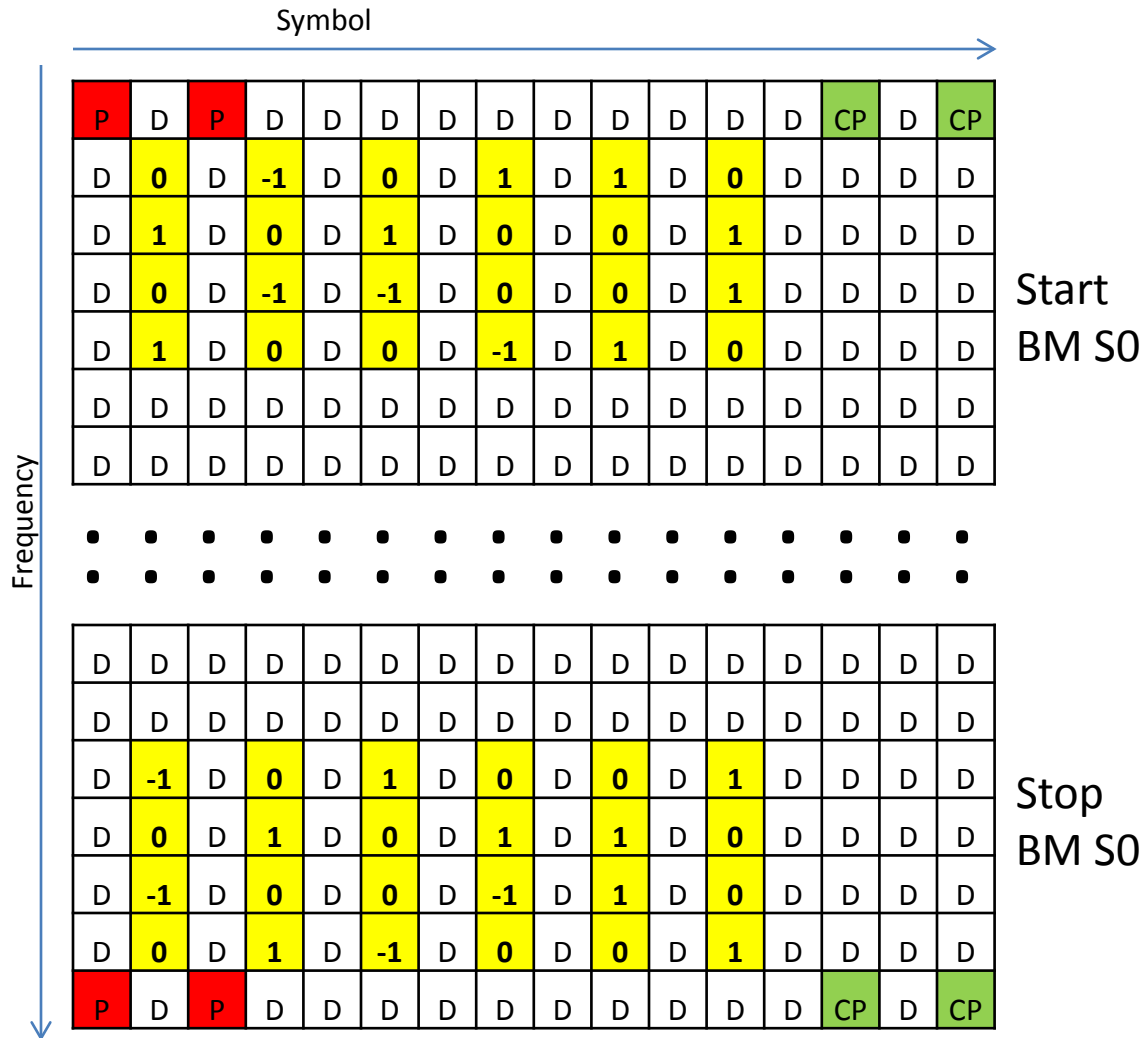


Legend

- +/-1 : BM "B"
- 0 : BM "N"
- D : Data
- P : Pilot
- CP : C. Pilot

Note: Power is constant versus time

Examples of BM 4x6 in 16 symbols RB



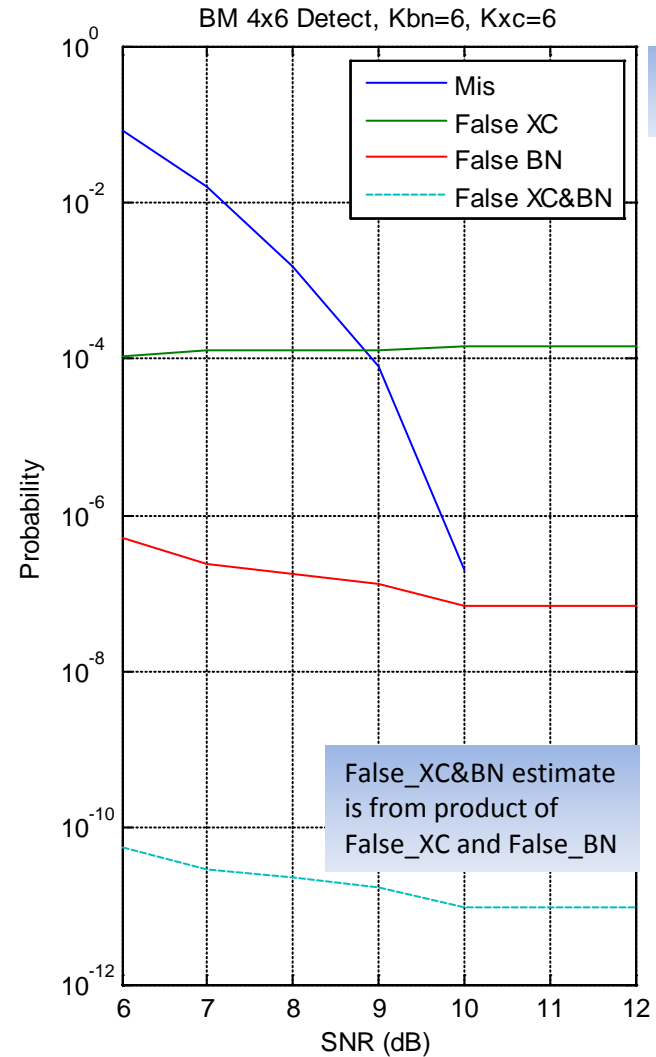
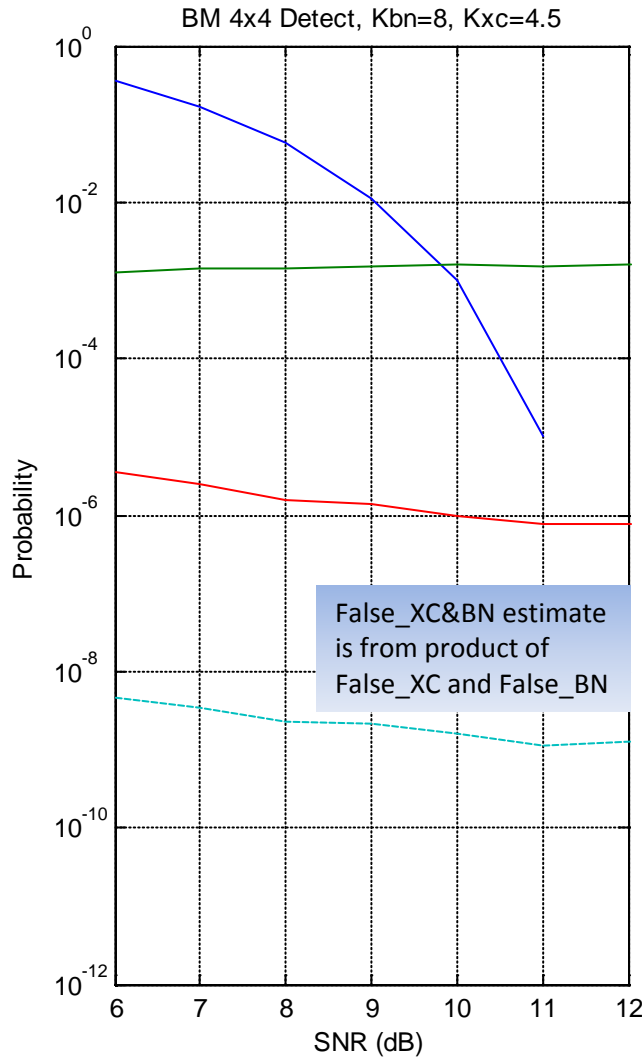
Legend
 +/-1 : BM "B"
 0 : BM "N"
 D : Data
 P : Pilot
 CP : C. Pilot

Note: Power is constant versus time

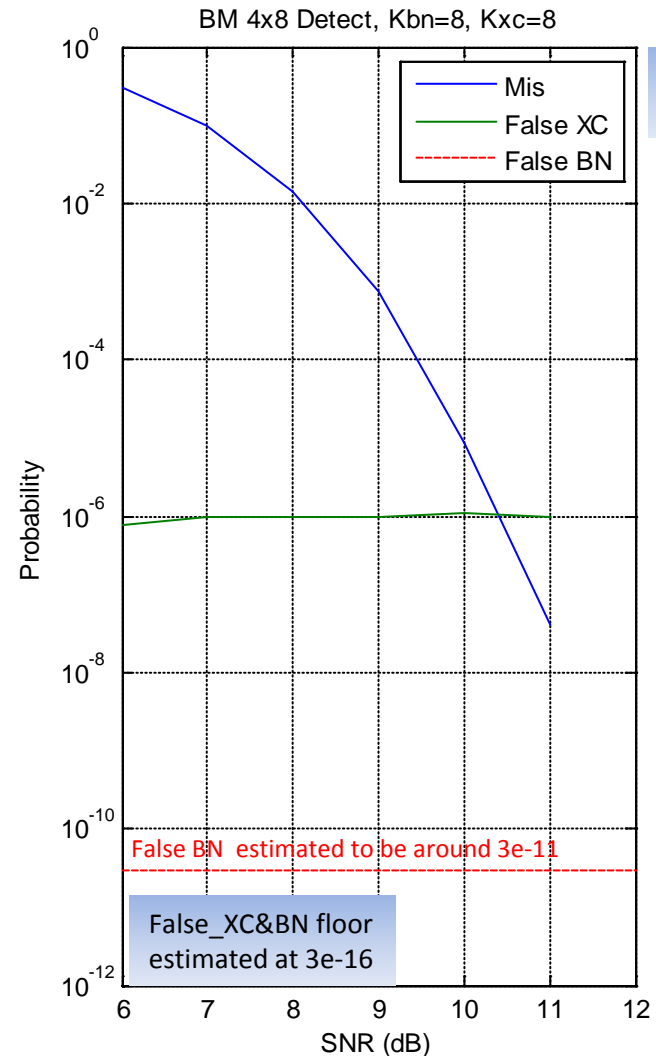
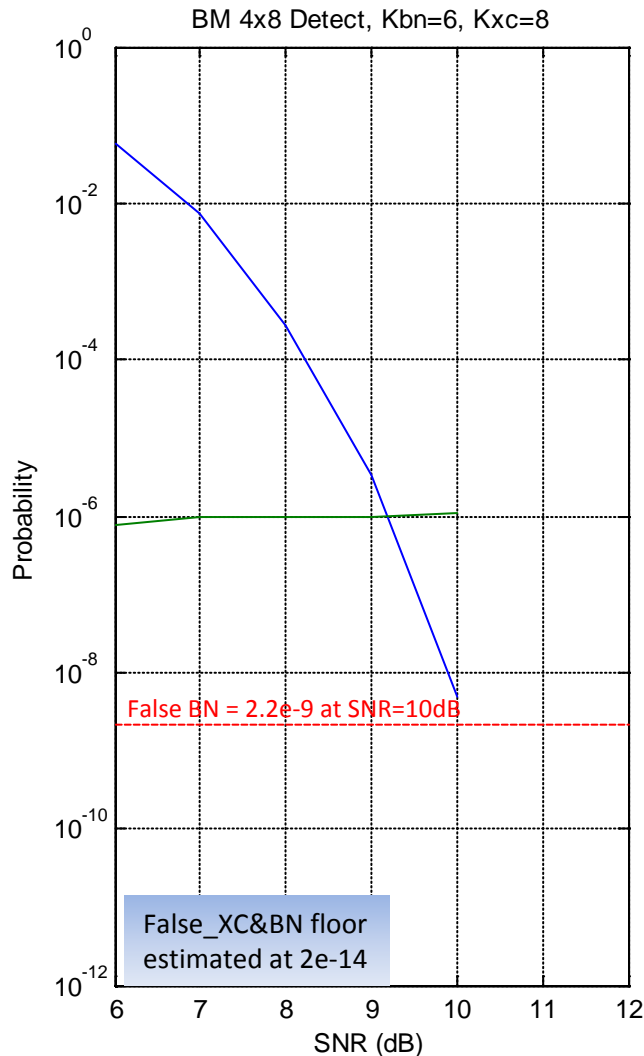
Examples of BM 4x8 in 8 symbols RB



Burst Marker False and Misdetection with Data



Burst Marker False and Misdetection with Data



BM simulated in presence of 64-QAM

BM Detector Simulation with Additive White Gaussian Noise only (no BM or Data)

- BM 4x4, $K_{bn} = 8$, $K_{xc} = 4.5$
 - False_BN = $7.5e-5$, False_XC = $9.3e-4$, False_XC&BN = $6.5e-8$
- BM 4x6, $K_{bn} = 6$, $K_{xc} = 6$
 - False_BN = $2.2e-5$, False_XC = $7.9e-5$, False_XC&BN = $1.7e-9$
- BM 4x8, $K_{bn} = 6$, $K_{xc} = 8$
 - False_BN = $1.1e-6$, False_XC = $2.5e-6$, False_XC&BN = $2.8e-12$
- BM 4x8, $K_{bn} = 8$, $K_{xc} = 8$
 - False_BN = $4.2e-8$, False_XC = $2.5e-6$, False_XC&BN = $1.1e-13$

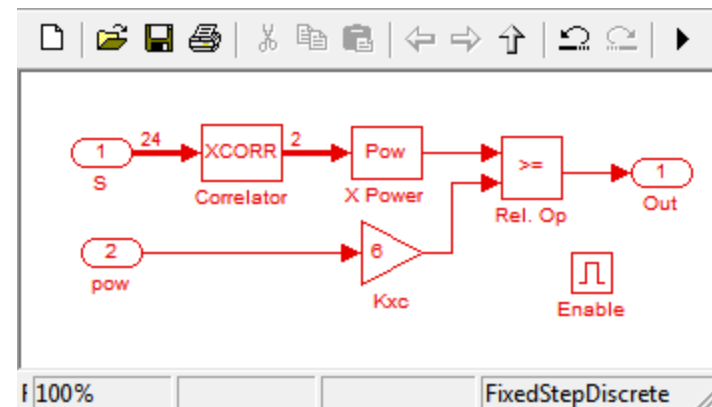
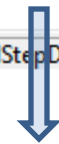
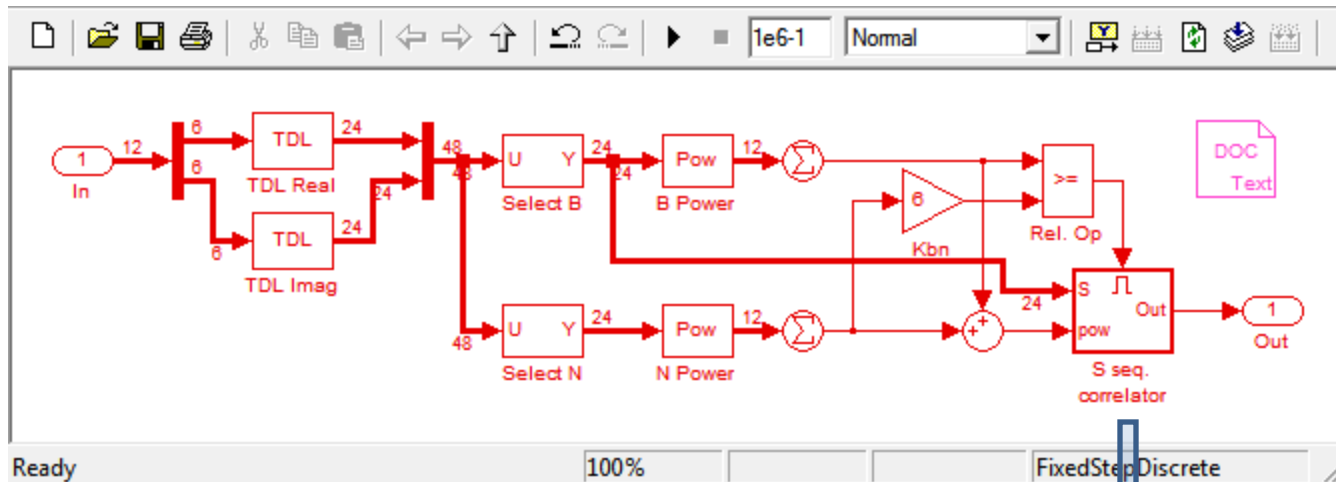
BM Detector Threshold in Presence of CW Interference (1)

- CW interference (in noise free channel) prevents detection of BM. At threshold, Misdetection error rate 50%!
- Definitions:
 - N_i is number of “N” RE corrupted by CW
 - P_{cw} is power of CW (note: Data power is 1 and “B” is 2)
 - K_{bn} is scaling of sum of “N” RE power
- BM 4x4 threshold for: $N_i * P_{cw} * K_{bn} > N_B * 2$
for $N_B = 8$ and $K_{bn} = 8$, then $P_{cw} > 2/N_i$
 - CW on one subcarrier : $N_i = 2 \rightarrow P_{cw}$ at 0 dB
 - CW on one symbol : $N_i = 2 \rightarrow P_{cw}$ at 0 dB

BM Detector Threshold in Presence of CW Interference (2)

- BM 4x6 threshold for: $N_i * P_{cw} * K_{bn} > N_B * 2$
for $N_B = 12$ and $K_{bn} = 6$, then $P_{cw} > 4/N_i$
 - CW on one subc. : $N_i = 3 \rightarrow P_{cw}$ at +1.25 dB
 - CW on one symbol : $N_i = 2 \rightarrow P_{cw}$ at +3 dB
- BM 4x8 threshold for: $N_i * P_{cw} * K_{bn} > N_B * 2$
for $N_B = 16$ and $K_{bn} = 6$, then $P_{cw} > (32/6)/N_i$
 - CW on one subcarrier: $N_i = 4 \rightarrow P_{cw}$ at +1.25 dB
 - CW on one symbol : $N_i = 2 \rightarrow P_{cw}$ at +4.26 dB

Simulink Model of BM 4x6 Detector and Correlator



$$K_{bn} = 6$$

$$K_{xc} = 6$$

Note: To find error floor, simulation up to 1e10 search.

Remark

- With 16-QAM or higher data constellations, false detection error floor is:
 - BM 4x4: False detection floor $\approx 1e-9$
 - BM 4x6: False detection floor $\approx 1e-11$
 - BM 4x8: False detection floor $\approx 3e-16$
- “B” & “N” sequence detection not affected for BM on non-contiguous spectrum or spanning across 2 frames for partially pre-equalized US.
- “B” BPSK sequence correlation may require pre-equalized upstream.
- BM 4x4 requires aggressive threshold for low error floor
 - not a lot of margin!

Recommendation

- Use a single Burst Marker: BM 4x6 (slide 6)
 - Simplicity
 - Robust enough for low packet error rate
 - Minimal overhead
 - Up to 11 profiles for signaling
 - Low implementation complexity
 - Distinct Start and Stop Markers
 - Unity power

PROPOSED MOTION

- Adopt the 4x6 Burst Marker as described in Slide 6 as baseline for 802.3 EPoC (mapping in RB examples on slide 8-10)
 - Stop marker is the complement of “B” & “N” Start Marker pattern
 - Non-nulls “B” boosted by a factor of 2 in power (3.01 dB)
 - Profile 0 encoded on “B” using S0 sequence
 - Orthogonal circular shifts of S0 sequence used for other profiles
- Moved by:
- Seconded by: