

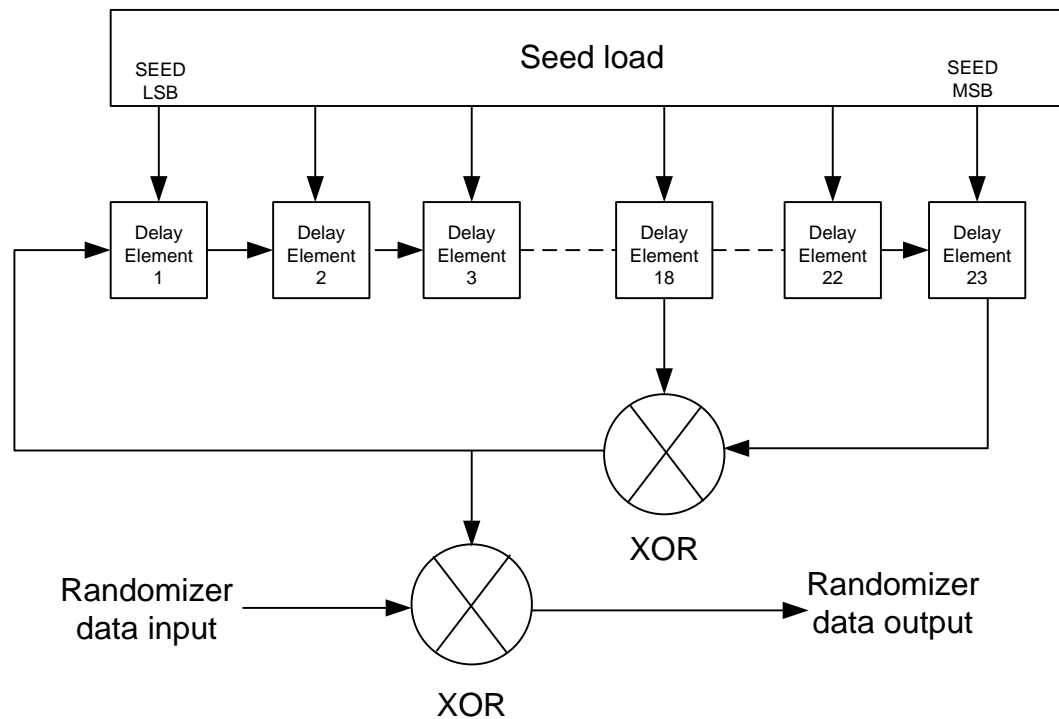
Bit Scrambler for 802.3bn

Leo Montreuil, Broadcom

Upstream Data Scrambler 1

- DOCSIS 3.1 (section 7.4.5):
 - $X^{23} + X^{18} + 1$
 - 23 b seed specified by CMTS on an Upstream Channel Descriptor
 - Seed loaded at beginning of grant
- Recommend for 802.3bn:
 - Use D3.1 polynomial $X^{23} + X^{18} + 1$ (see D3.1 Figure 7-4)
 - Default Seed = 4732BA h. Initialized at beginning of grant.
Seed can be made programmable. Note: DS PLC scrambler use the same seed and it is non- programmable.

Upstream Data Scrambler 2



Upstream PLC Scrambler

- DOCSIS 3.1:
 - No Upstream PLC
- Recommend for 802.3bn:
 - Use polynomial $X^{23} + X^{18} + 1$ (slide 3-4)
 - Default Seed = 4732BA h. Initialized at beginning of grant.

Downstream Data Scrambler

- DOCSIS 3.1 (section 7.5.5.3):
 - Use $GF[2^{12}]$ polynomial to scramble symbols, allowing descrambling per profile.
- Recommend for 802.3bn:
 - Downstream is broadcast (no profile). Use a bit scrambler
 - Use polynomial $X^{23} + X^{18} + 1$ (slide 3-4)
 - Default Seed = 4732BA h. Initialized on first codeword of Downstream frame

Downstream PLC Scrambler

- DOCSIS 3.1:
 - Use GF[12] polynomial to scramble symbols
- Recommend for 802.3bn:
 - Use polynomial $X^{23} + X^{18} + 1$ (slide 3-4)
 - Default Seed = 4732BA h. Initialized at start of Downstream frame.

Proposed Motion

- Move to:
 - Adopt and incorporate in the draft the bit scrambler recommendation on pages 2, 3 and 4 of montreuil_3bn_01a_0514.pdf for the upstream PCS MAC data path function and PLC. The seed shall have a default value and may also be set via the PHY Link.
 - Adopt and incorporate in the draft the bit scrambler recommendation on pages 5 and 6 of montreuil_3bn_01a_0514.pdf for the downstream PCS MAC data path function and PLC. The seed shall have a default value and may also be set via the PHY Link.
- Moved:
- Seconded