

IEEE P802.3bn Architecture

Juan Montojo, Qualcomm

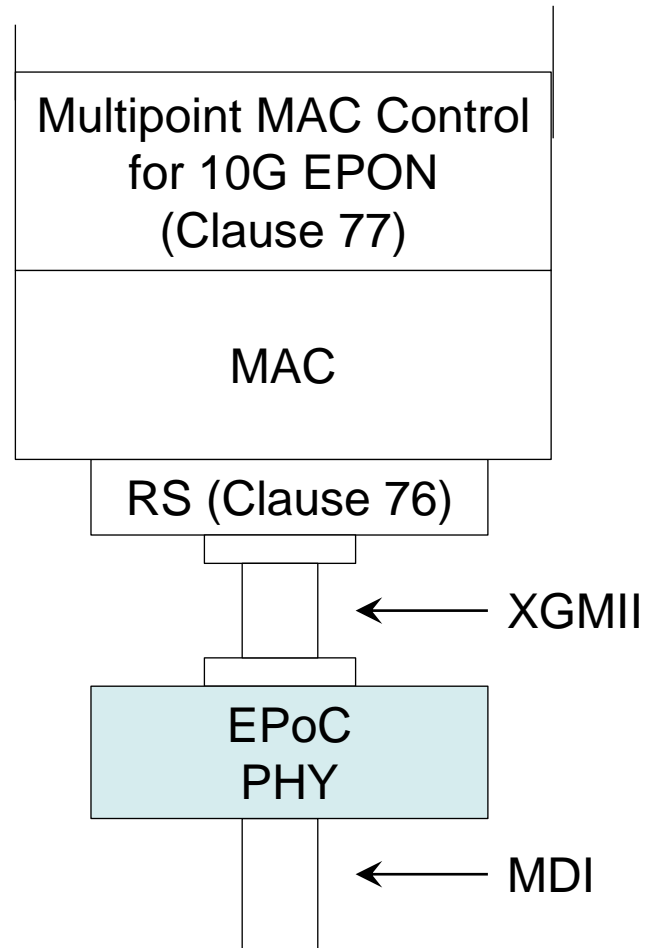
David Law, HP

Ed Boyd, Broadcom

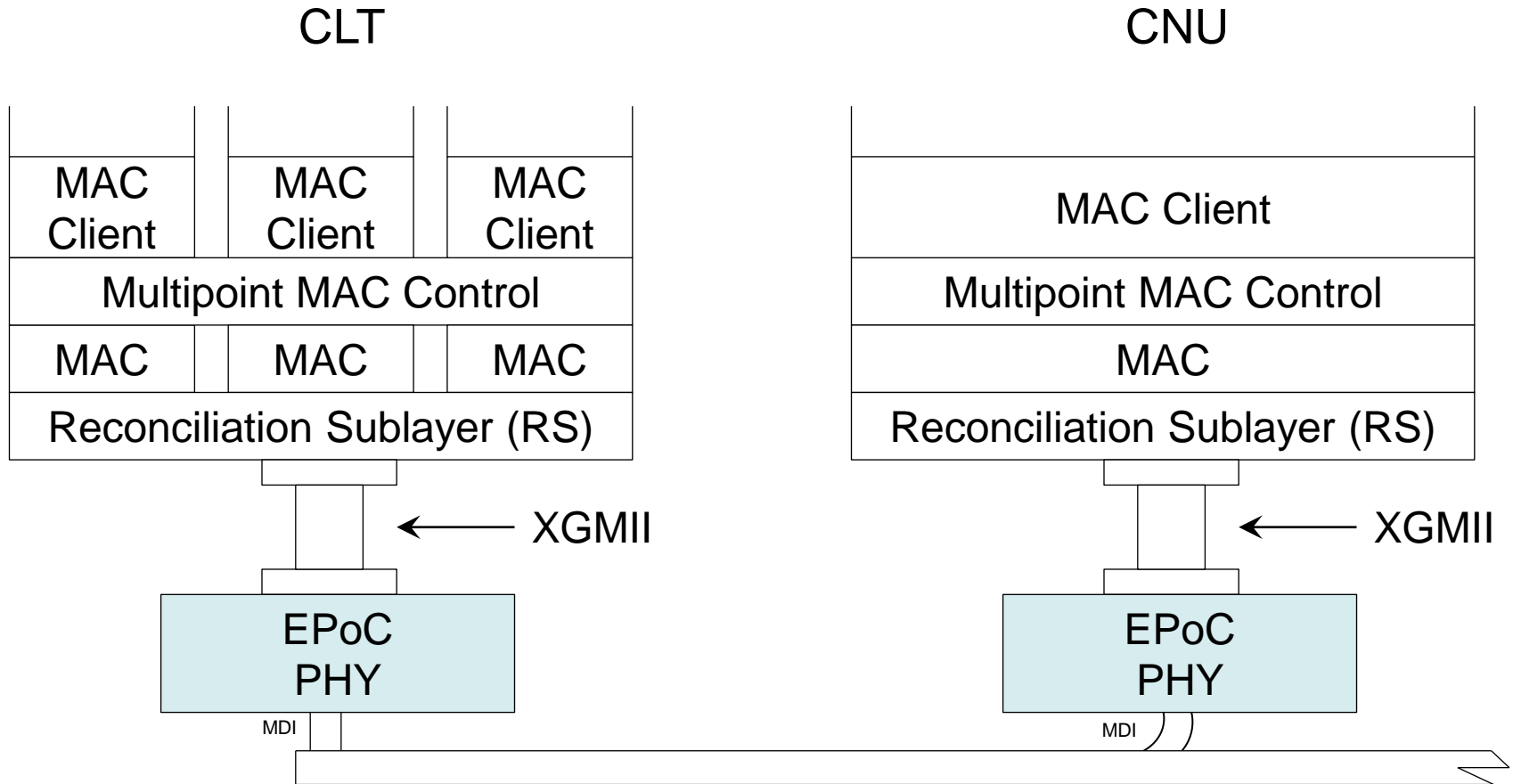
Supporters

- Andrea Garavaglia, Qualcomm

EPoC FDD operation

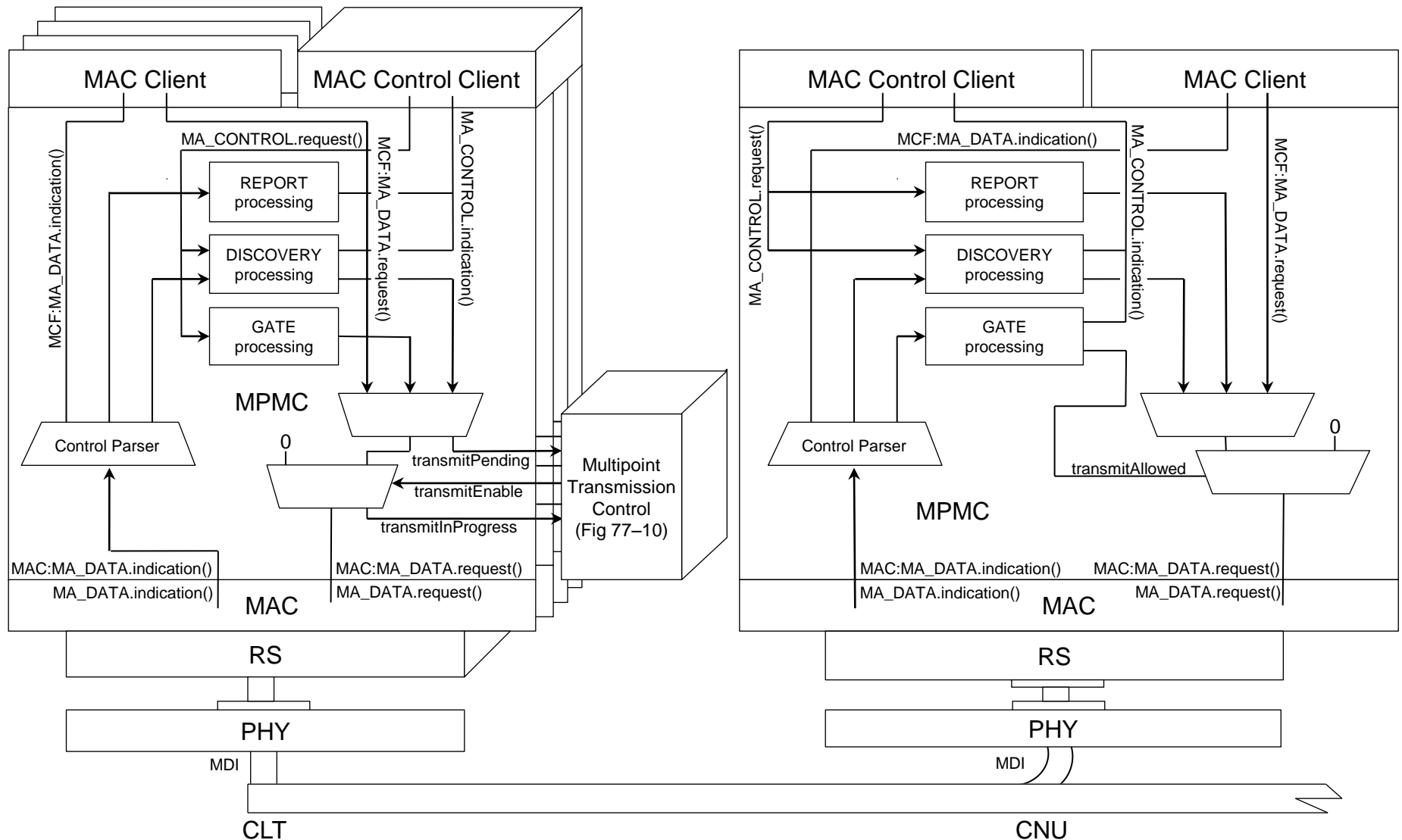


Multipoint MAC Control



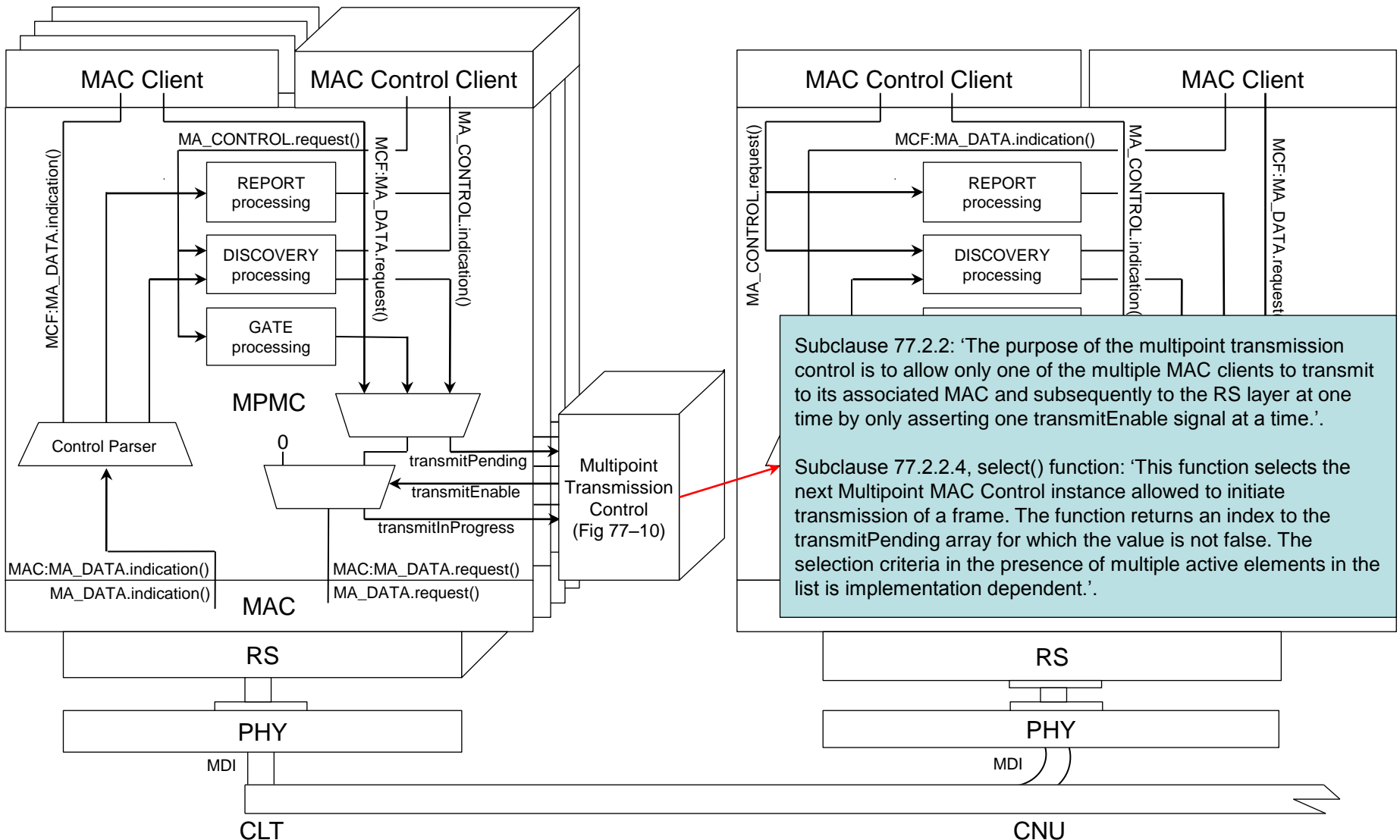
EPoC FDD Operation

Multipoint MAC Control



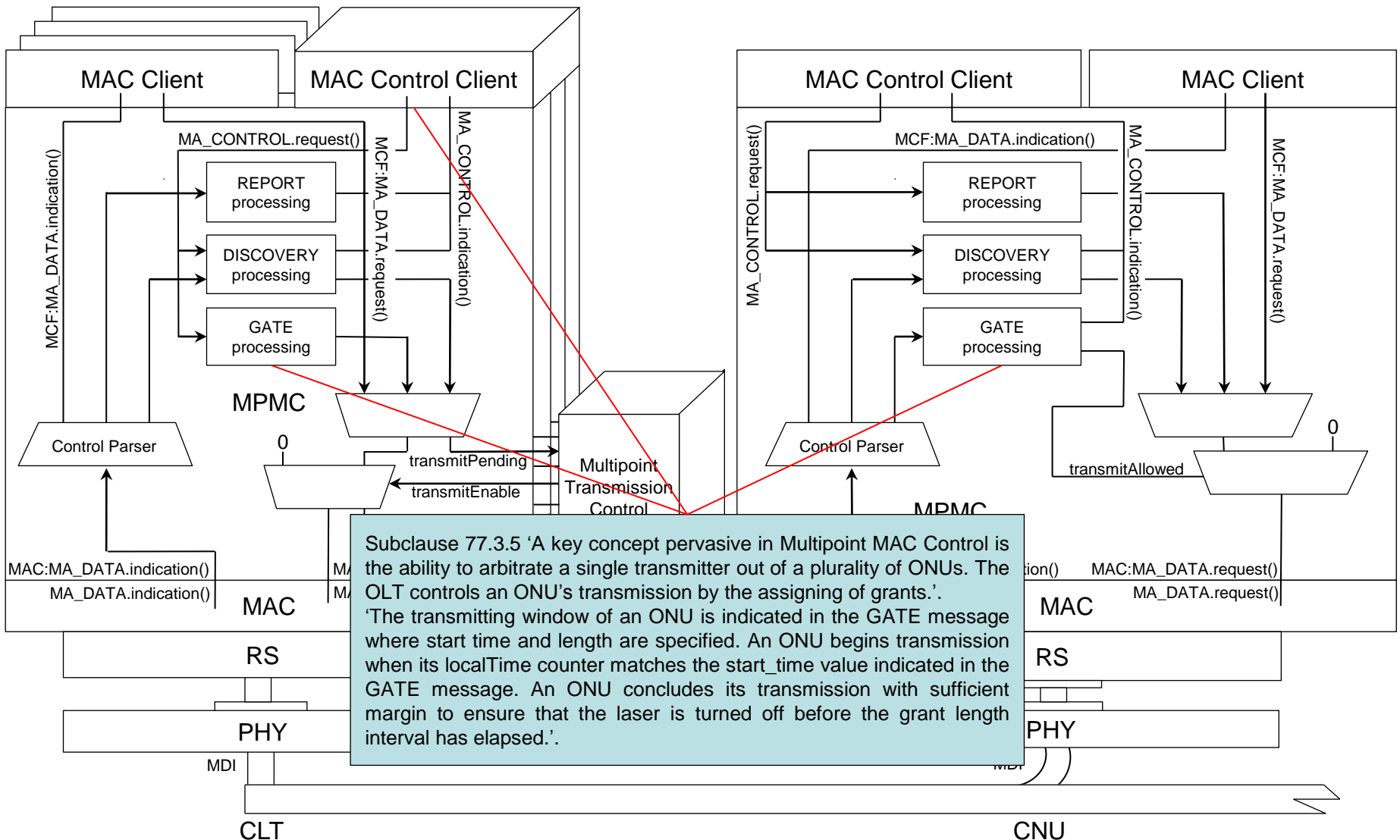
EPoC FDD Operation

Multipoint MAC Control



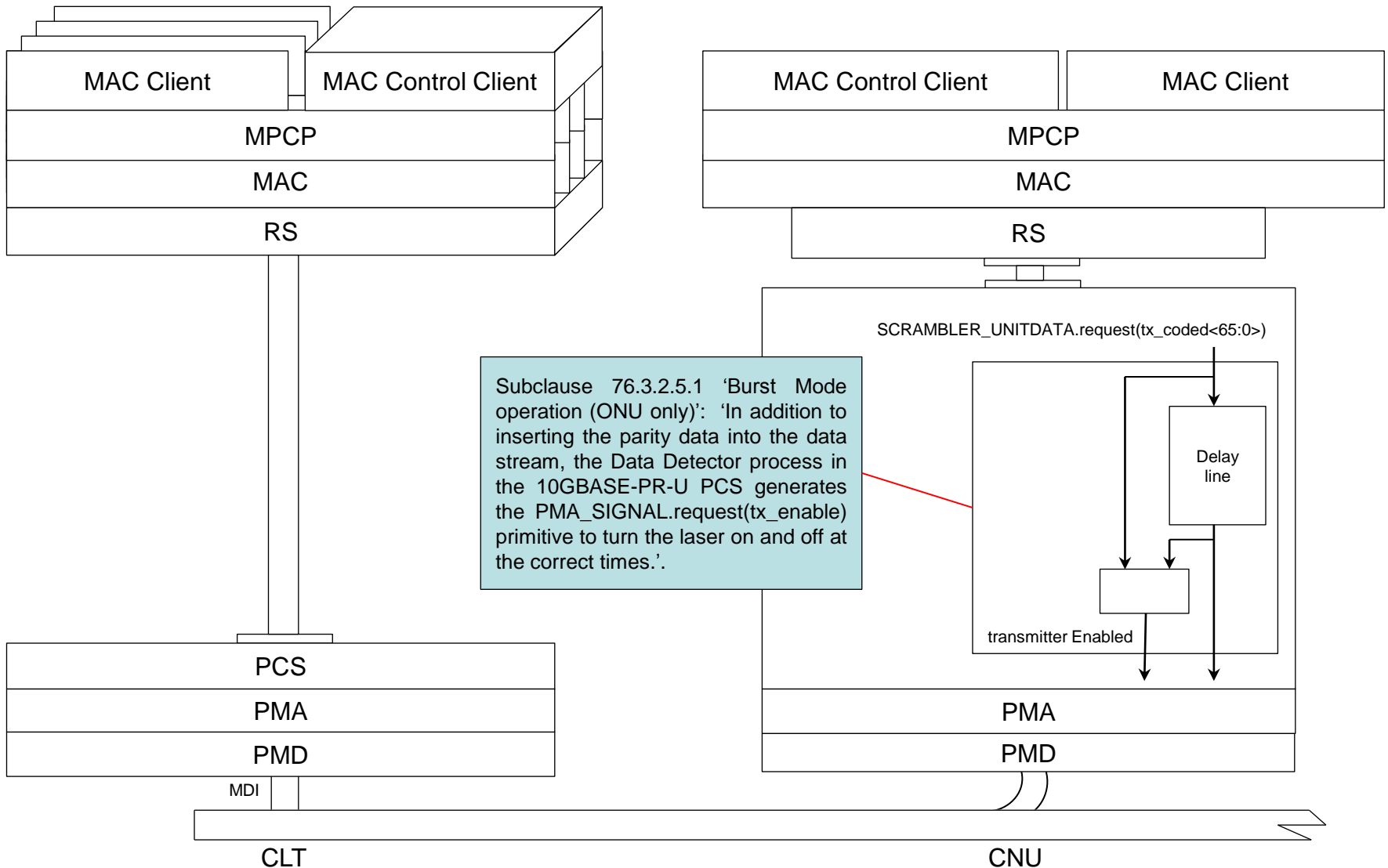
EPoC FDD Operation

Multipoint MAC Control

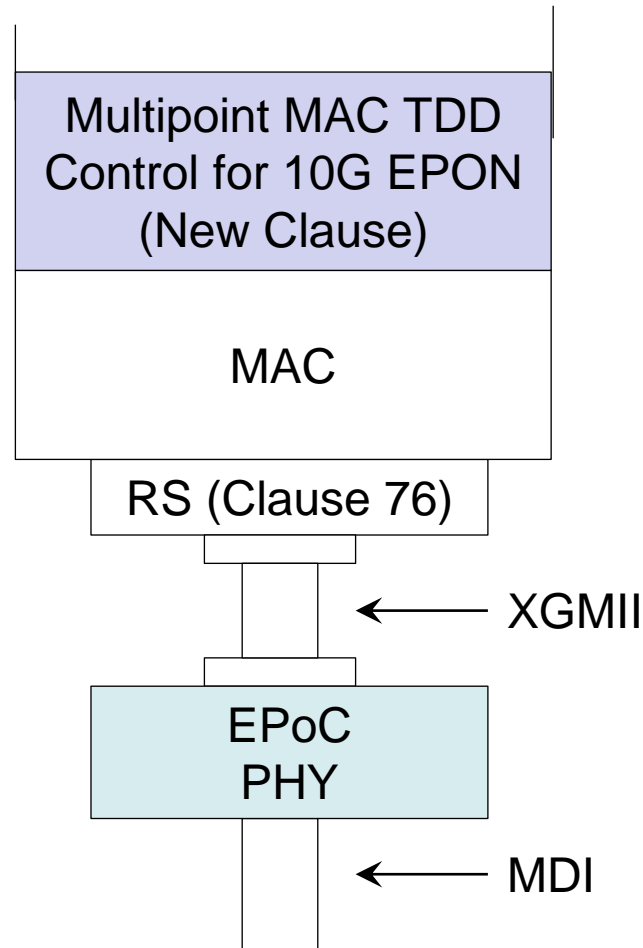


EPoC FDD Operation

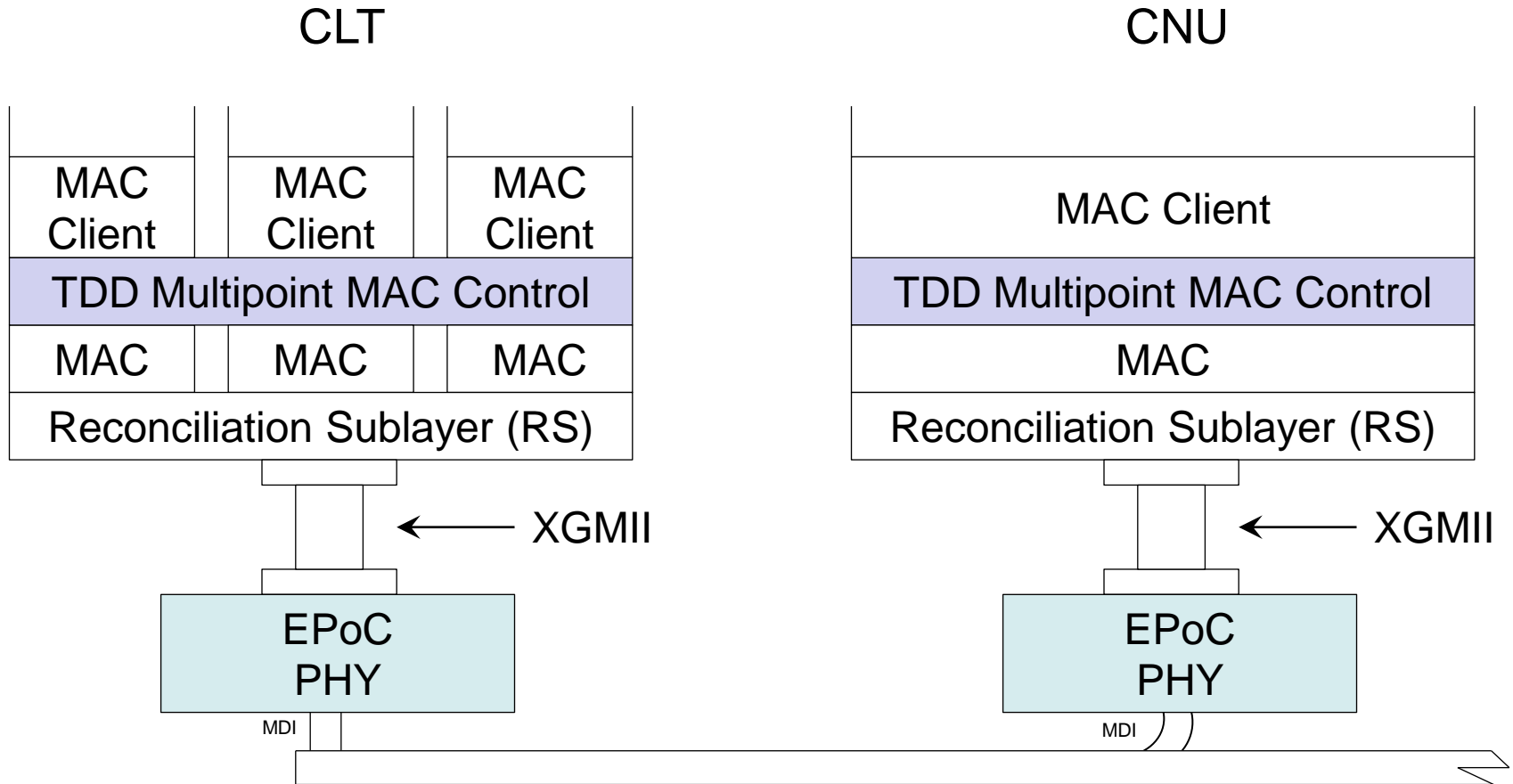
Data detector - burst mode operation (CNU)



EPoC TDD operation

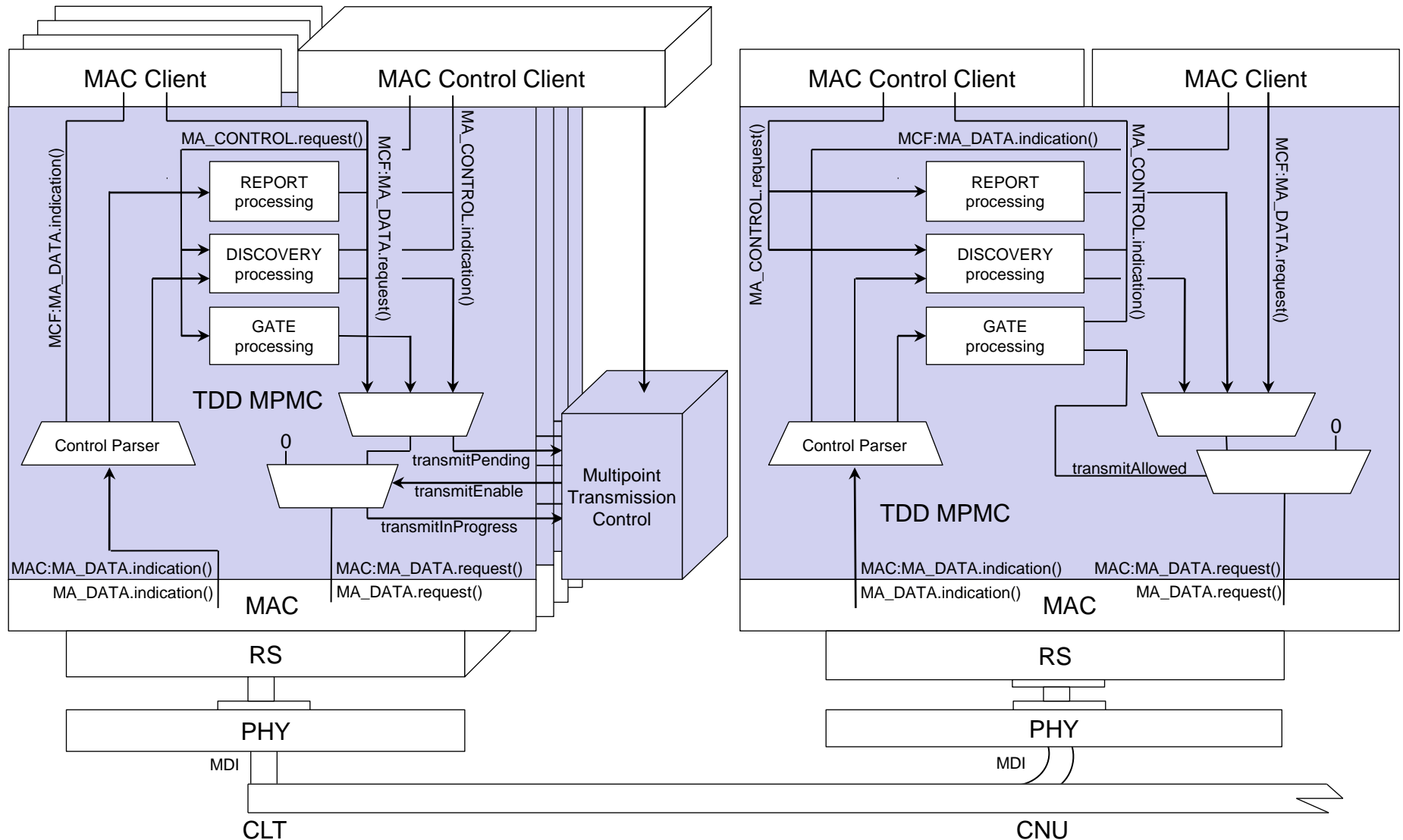


Multipoint MAC Control



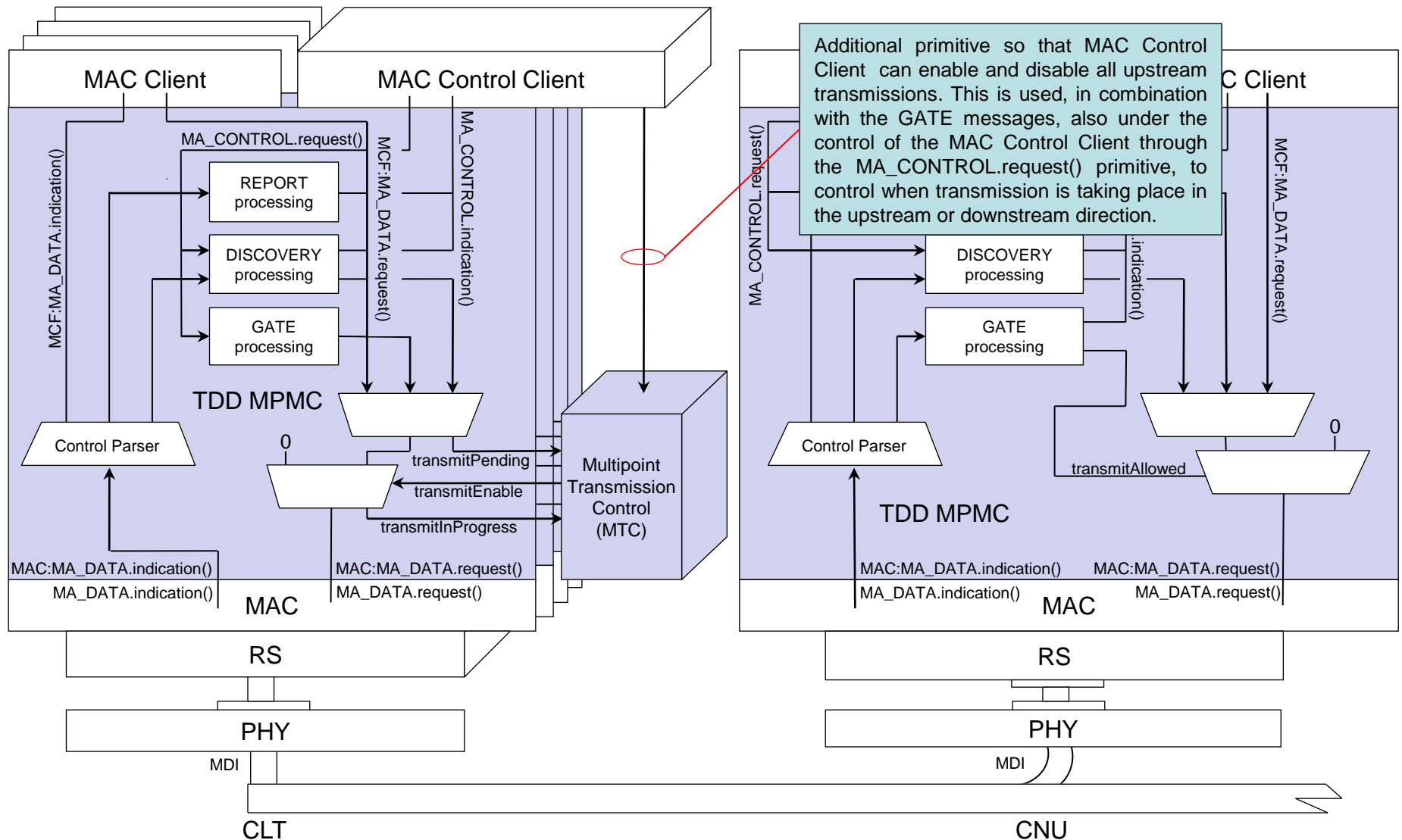
EPoC TDD Operation

Multipoint MAC Control



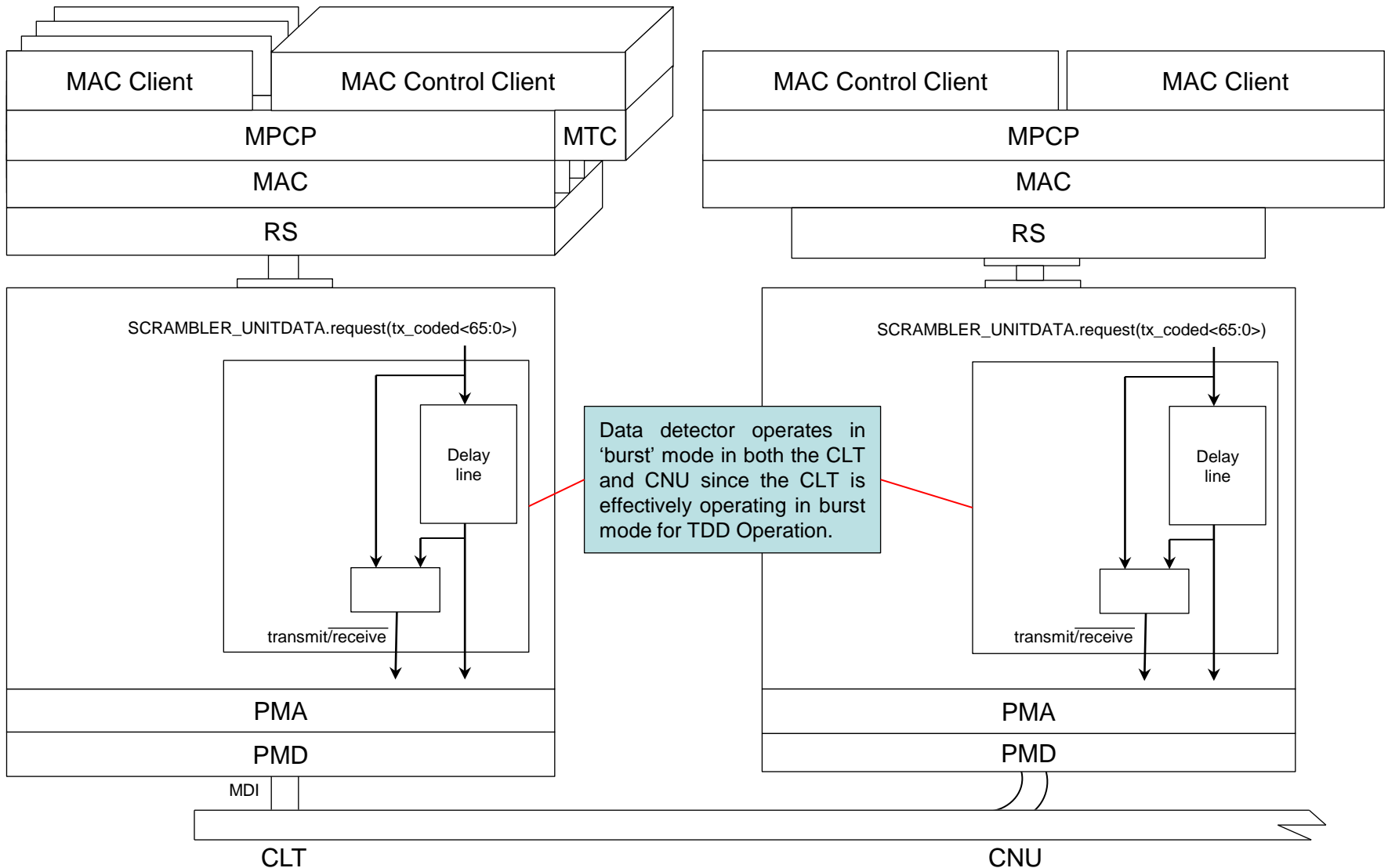
EPoC TDD Operation

Multipoint MAC Control



EPoC TDD Operation

Data detector - burst mode (CLT and CNU)



IEEE P802.3bn document structure

- Changes to existing clauses
 - Clause 1 Introduction
 - Clause 30 Management
 - (Clause 77 changes if required)
- New Clauses
 - Clause X Introduction to EPoC
 - Clause Y EPoC PHY
 - Some parameters applicable to FDD operation only
 - Some parameters applicable to TDD operation only
 - Clause Z Multipoint MAC TDD Control for 10G EPON