

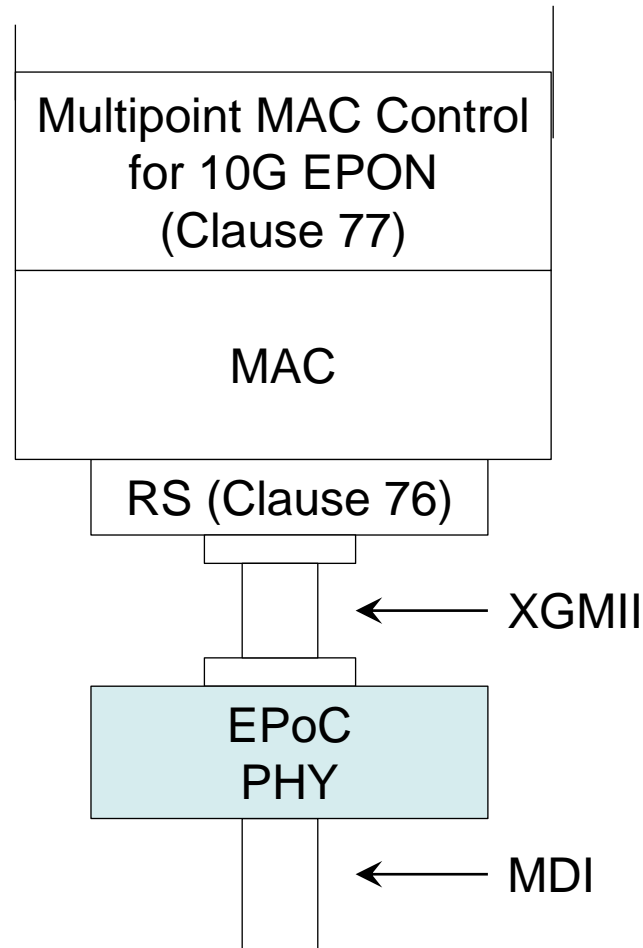
# IEEE P802.3bn Architecture

Juan Montojo, Qualcomm

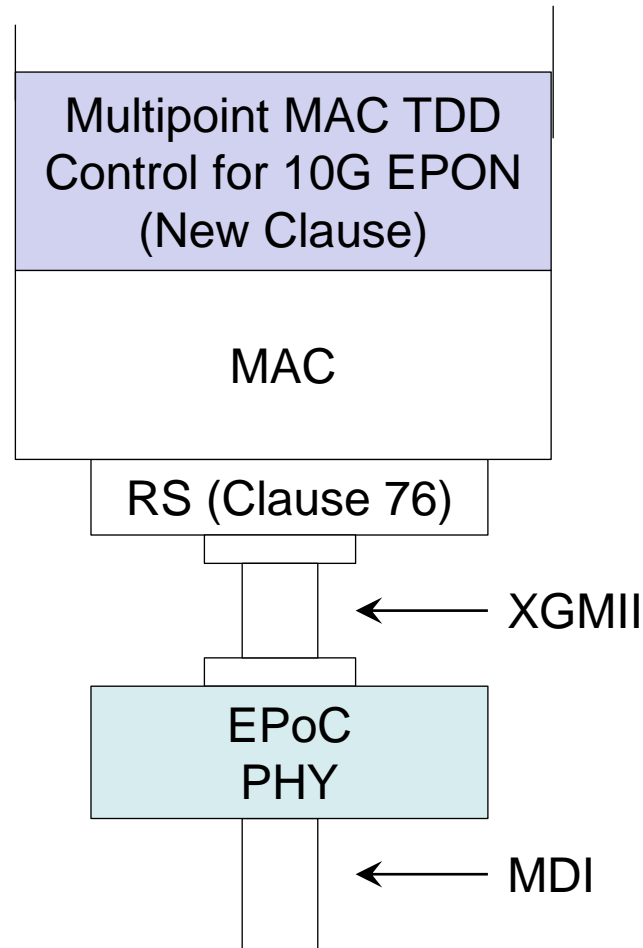
David Law, HP

Ed Boyd, Broadcom

# EPoC FDD operation



# EPoC TDD operation



# IEEE P802.3bn document structure

---

- Changes to existing clauses
  - Clause 1 Introduction
  - Clause 30 Management
  - (Clause 77 changes if required)
- New Clauses
  - Clause X Introduction to EPoC
  - Clause Y EPoC PHY
    - Some parameters applicable to FDD operation only
    - Some parameters applicable to TDD operation only
  - Clause Z Multipoint MAC TDD Control for 10G EPON