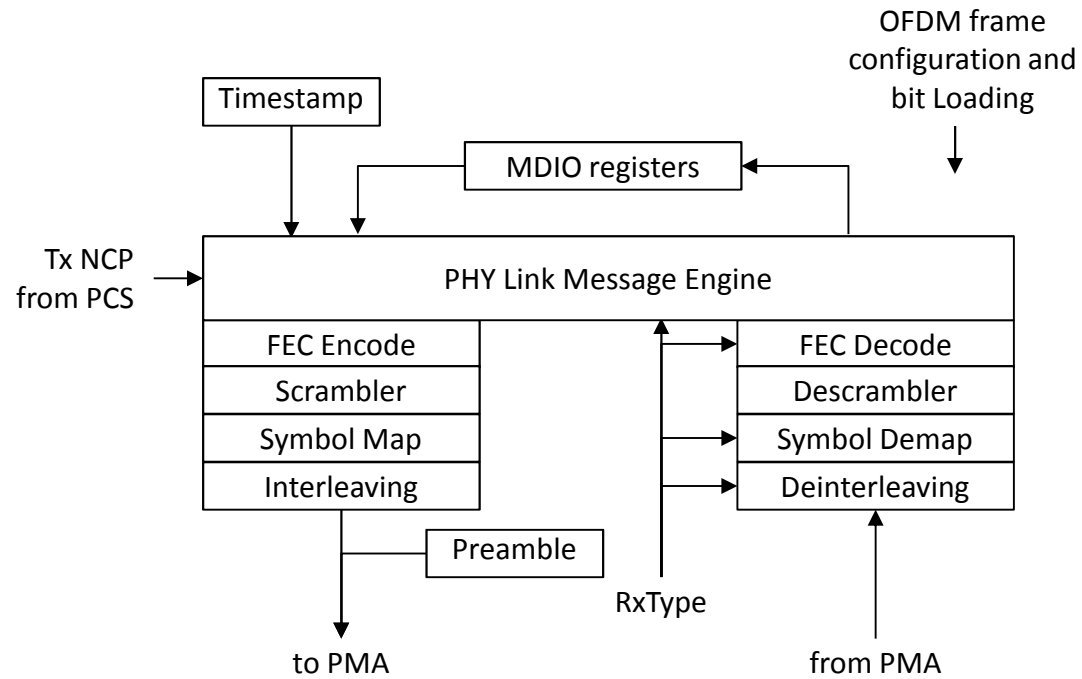


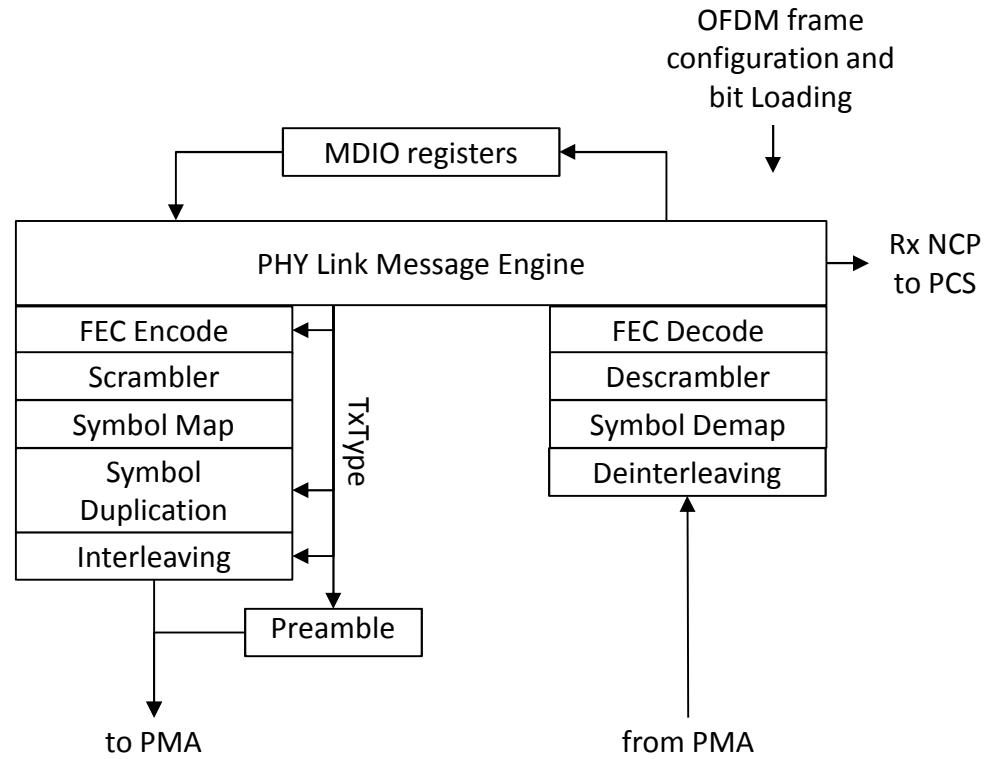
# PHY Link CLT functional block diagram



### RxType:

1. PHY Link Response
2. PHY Discovery
3. Fine Ranging

# PHY Link CNU functional block diagram



TxType:

1. PHY Link Response
2. PHY Discovery
3. Fine Ranging