

Comment #326, #182, #184 resolution.  
 Make the changes in the following order:

1) make changes to the following 3 diagrams as sketched

Figure 97-2

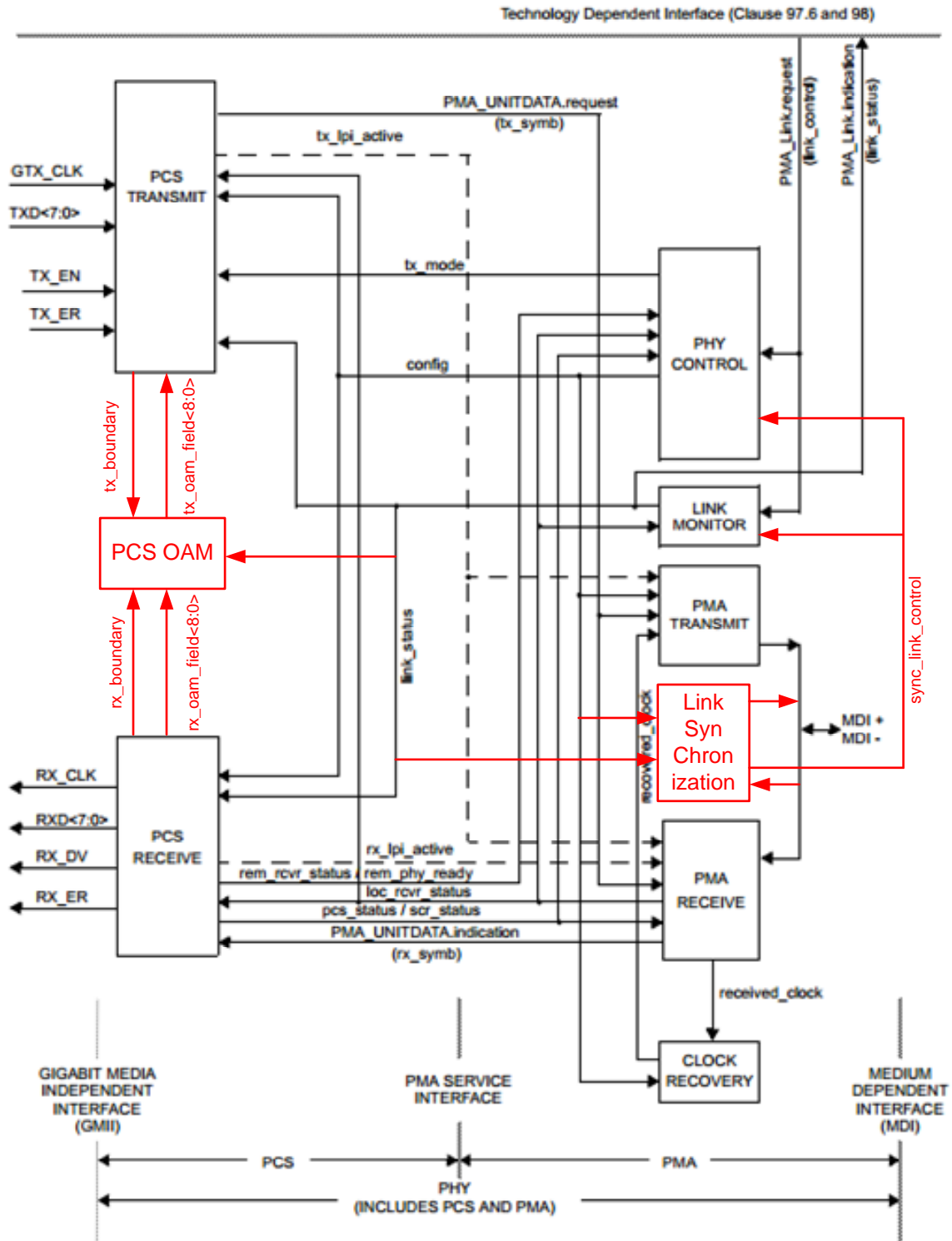


Figure 97-4

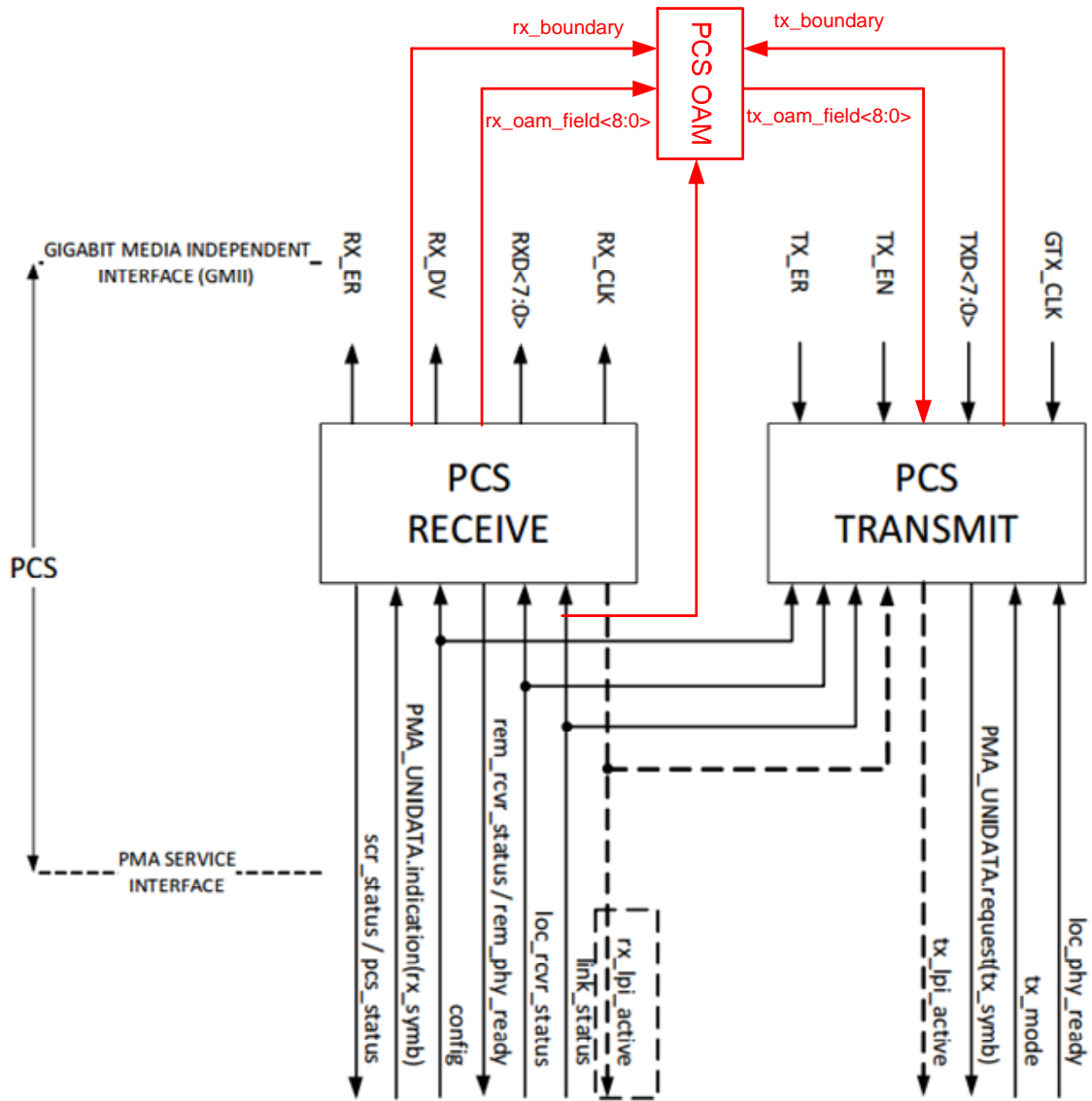
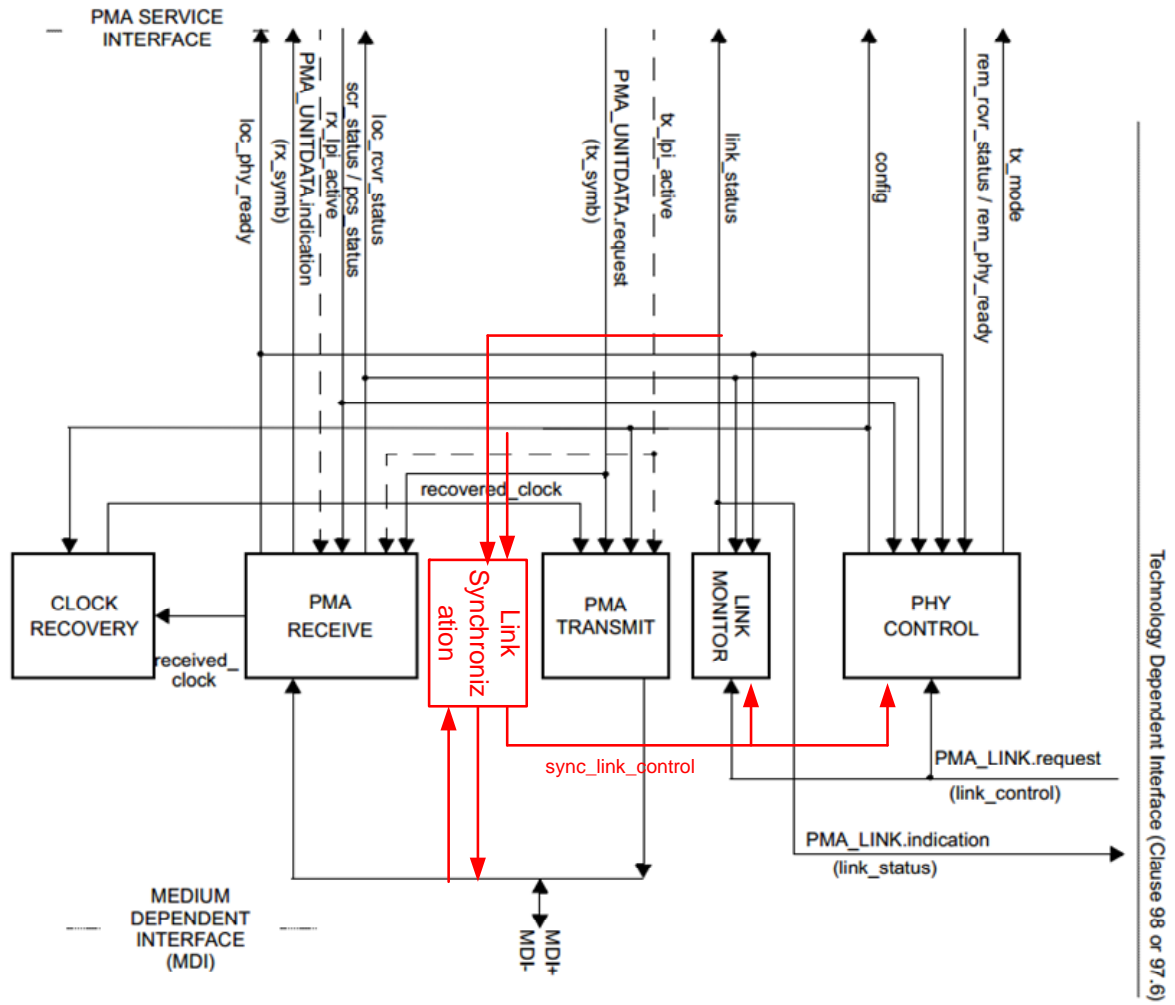


Figure 97-4—PCS reference diagram

Figure 97-15



2) Implement comment #326 first per comment resolution next.

3) Move entire 97.6 to 97.4.2.6. Current 97.4.2.6 and 97.4.2.7 becomes 97.4.2.7 and 97.4.2.8

4) Move entire 97.7 to 97.3.8.