

400Gb/s 2km & 10km duplex SMF PAM-4 PMD Nominal Specifications

400 Gb/s Ethernet Task Force
802.3 Interim Session
Atlanta, GA
14 - 16 January 2015
Chris Cole



Finisar[®]

Introduction

- Channel insertion loss

	2km NRZ	2km PAM-4	10km NRZ	10km PAM-4
Channel Loss	4.0	4.0	6.0	6.0
MPI Penalty	0.5	1.0	0.5	1.0
Total Insertion Loss	4.5	5.0	6.5	7.0

- MPI penalty is under investigation; see below SMF Ad Hoc presentation for details:

http://www.ieee802.org/3/bs/public/adhoc/smf/14_12_09/cole_01_1214_smf.pdf

- KP4 FEC in the host ASIC is assumed for both 2km and 10km PMDs
- These are nominal baseline specifications which require supporting measurements

Transmit Characteristics (duplex SMF)

Description (Outer Eye 11-00)	2km PAM-4	10km PAM-4	Unit
Signaling Rate, each lane	26.6	26.6	GBd
Operating BER	2.0E-04	2.0E-04	
Total average launch power (max)	13.2	13.2	dBm
OMA, each lane (max)	4.0	4.0	dBm
OMA, each lane (min)	-0.5	-1.0	dBm
Launch Power in OMA – TDP, each lane (min)	-1.5	-2.0	dBm
Transmitter and dispersion penalty, (TDP) each lane (max)	1.0	2.0	dB
Extinction ratio (ER) (min)	4.5	4.5	dB
RIN OMA (max)	TBD	TBD	dB/Hz
Optical return loss tolerance (max)	TBD	TBD	dB
Transmitter 3dB frequency (min)	21	21	GHz

Receive Characteristics (duplex SMF)

Description (Inner Eye 01-00)	2km PAM-4	10km PAM-4	Unit
Signaling Rate, each lane	26.6	26.6	GBd
Operating BER	2.0E-04	2.0E-04	
Receiver reflectance (max)	TBD	TBD	dB
Receiver Sensitivity (OMA), each lane (max)	-11.5	-14.0	dBm
Receiver 3 dB electrical upper cutoff frequency, each lane (max)	21.0	21.0	GHz
Stressed receiver sensitivity (OMA), each lane (max)	TBD	TBD	dBm
Conditions of stressed receiver sensitivity test	TBD	TBD	

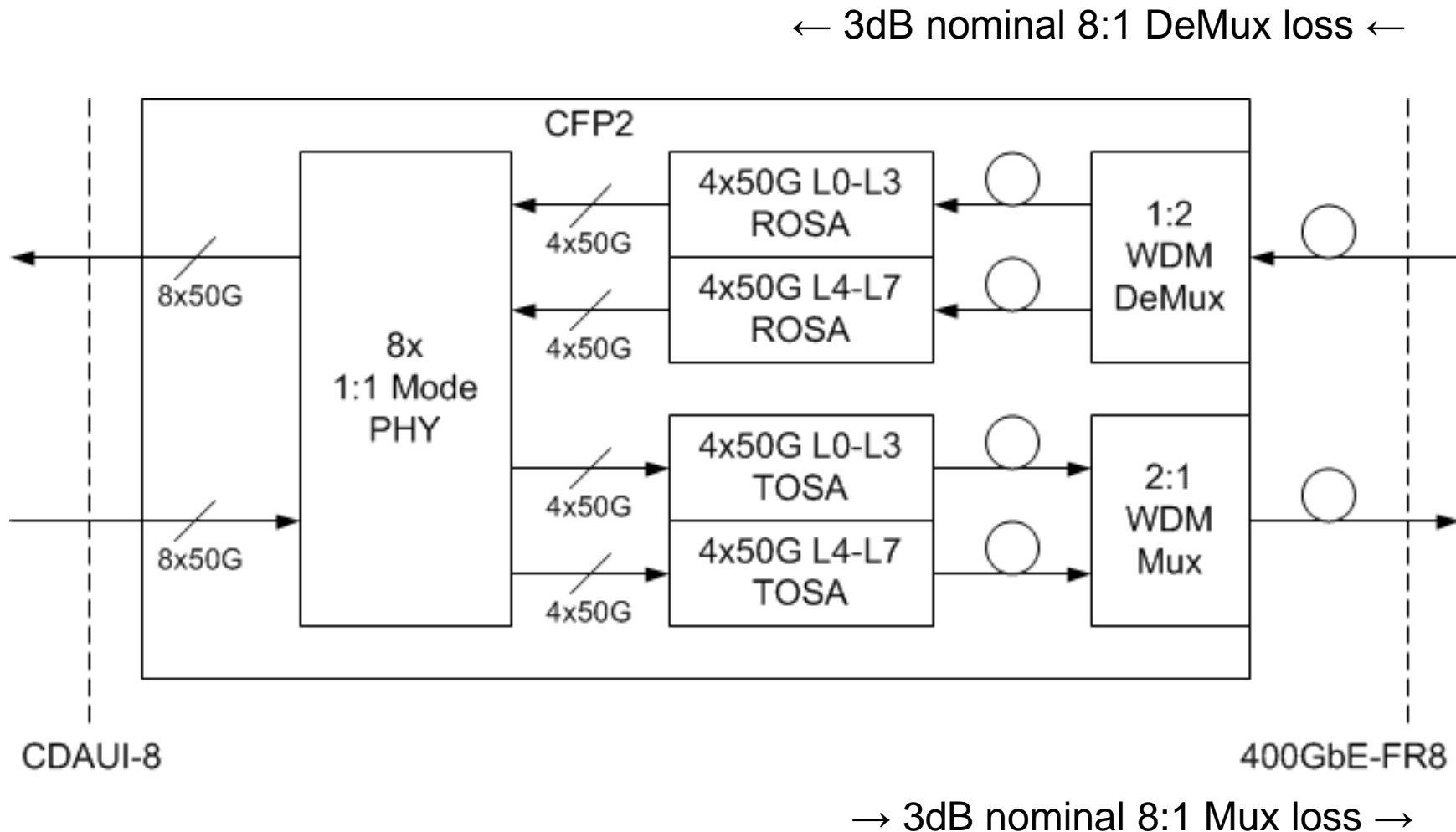
Illustrative Link Power Budgets (duplex SMF)

Parameter	2km PAM-4	10km PAM-4	Unit
Power Budget (for maximum TDP)	11.0	14.0	dB
Operating Distance	2.0	10.0	km
Channel Insertion Loss	5.0	7.0	dB
Maximum Discrete Reflectance	TBD	TBD	dB
Allocation for Penalties (for maximum TDP)	1.0	2.0	dB
Allocation for Modulation Penalties	5.0	5.0	dB

WDM Lane Assignments

Lane	Center Frequency THz	Center Wavelength nm	Wavelength Range nm
L0	235.4	1273.55	1272.55 to 1274.54
L1	234.6	1277.89	1276.89 to 1278.89
L2	233.8	1282.26	1281.25 to 1283.28
L3	233.0	1286.66	1285.65 to 1287.69
L4	231.4	1295.56	1294.53 to 1296.59
L5	230.6	1300.05	1299.02 to 1301.09
L6	229.8	1304.58	1303.54 to 1305.63
L7	229.0	1309.14	1308.09 to 1310.19

Appendix 1: 2km PMD Block Diagram Example



2km & 10km PAM-4 PMD Nominal Specs

Thank you

