

# Project Timeline Assessment

John D'Ambrosia, Dell

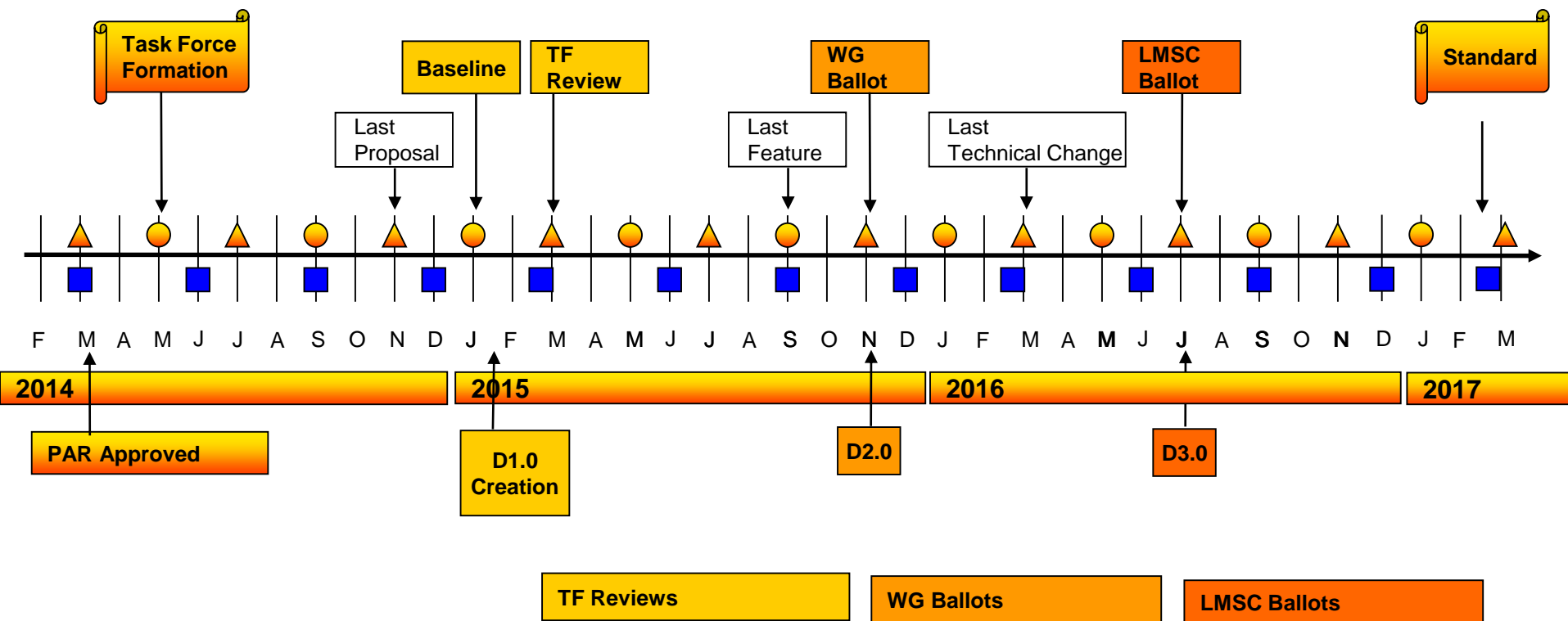
Chair, IEEE P802.3bs 400GbE Task Force

September 14, 2015

# Milestone Summary

<b>Option</b>	<b>WG Ballot</b>	<b>Sponsor Ballot</b>	<b>Std Ratification</b>
Original	Nov-15	July-16	Mar-17
Original Shifted	May-16	Jan-17	Sept 17
5:4:4	Jul-16	Mar-17	Dec-17
6:5:4	Sep-16	Jul-17	Jun-18

# IEEE P802.3bs 400GbE Adopted Timeline



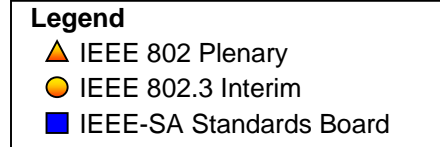
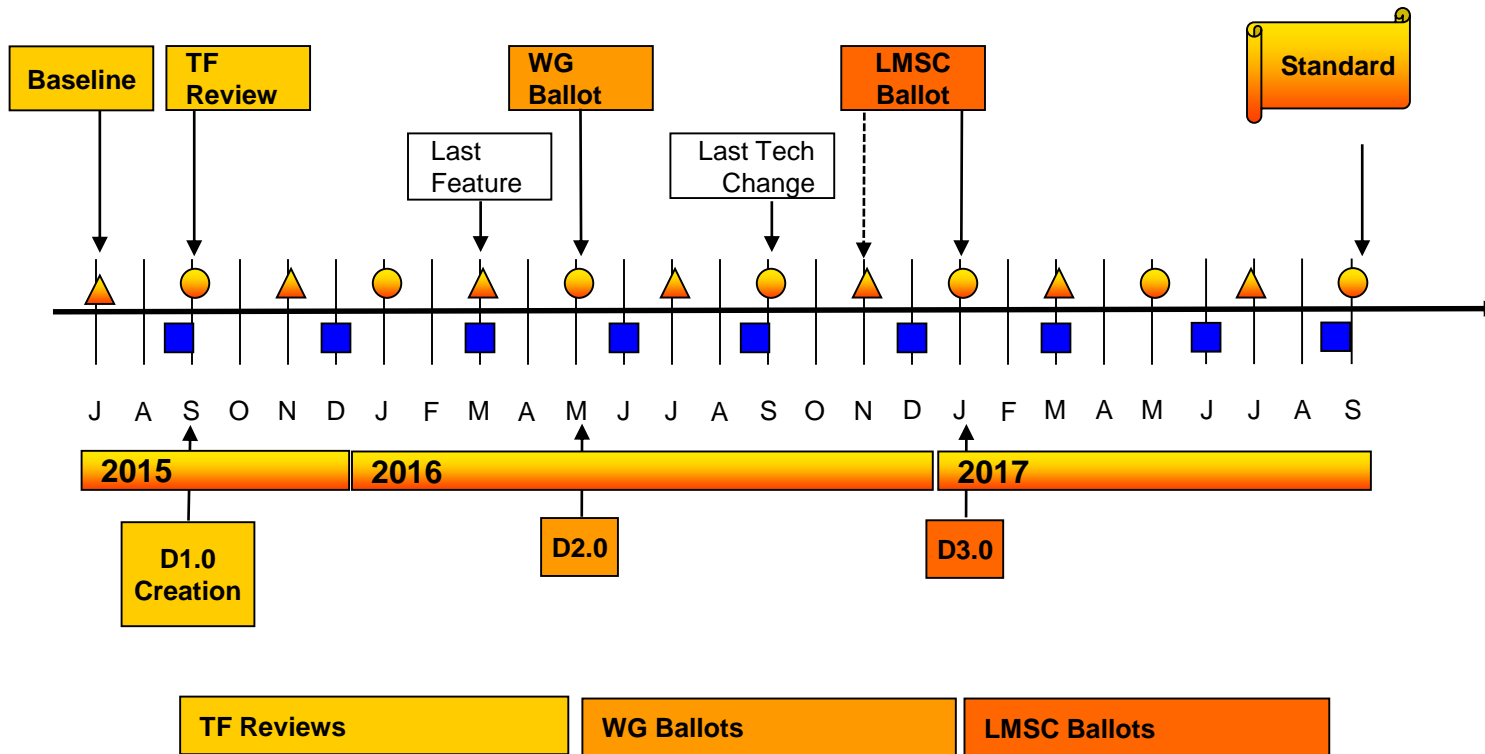
Adopted by IEEE P802.3bs 400GbE Task Force, May 2014 Interim.

**Legend**

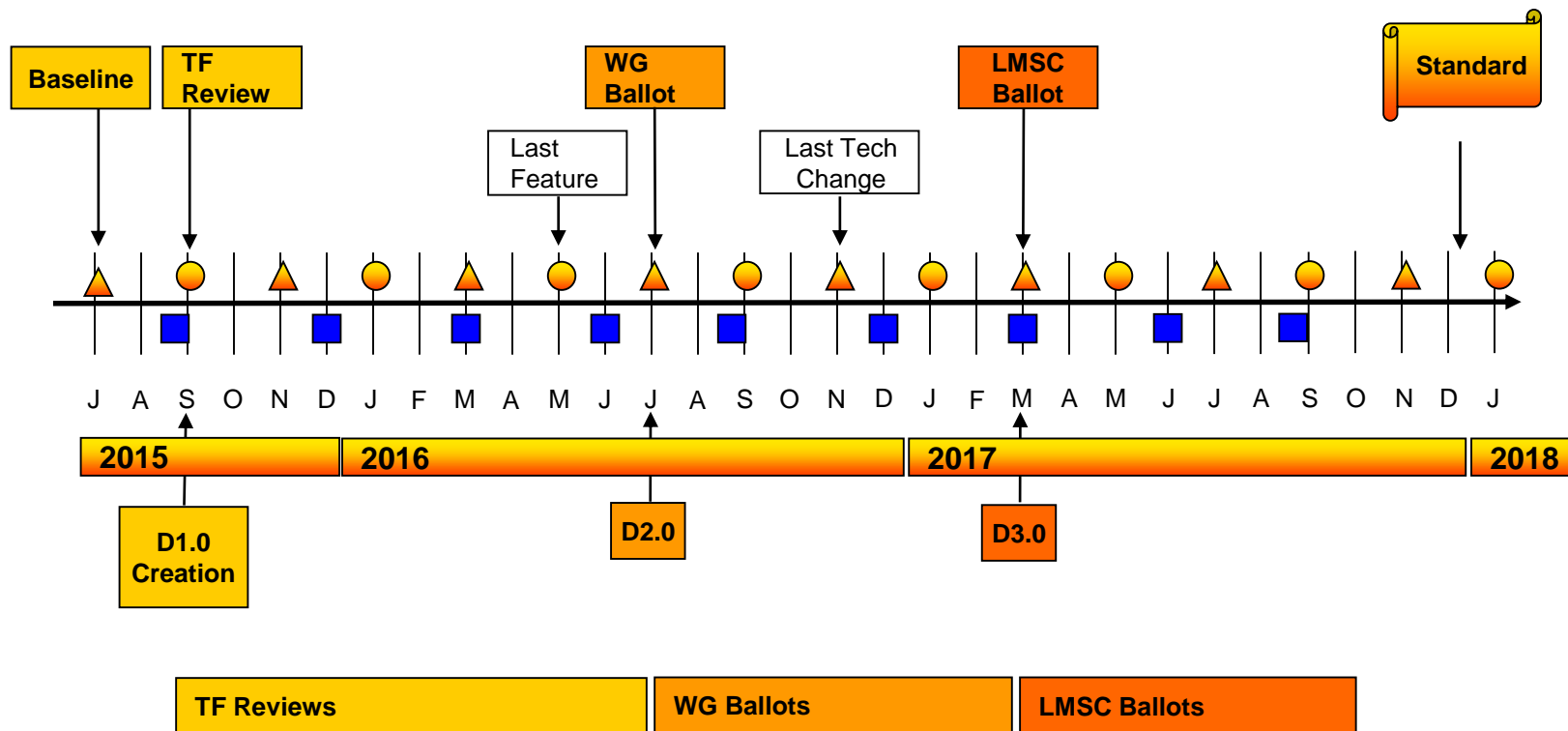
- ▲ IEEE 802 Plenary
- IEEE 802.3 Interim
- IEEE-SA Standards Board

# IEEE P802.3bs 400GbE

(No changes post baseline adoption, not adopted)



# IEEE P802.3bs 400GbE (5:4:4) (Not Adopted)



# IEEE P802.3bs 400GbE (6:5:4) (not adopted)

